

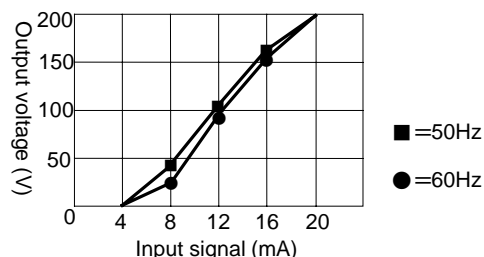
POWER CONTROLLER

PA-4000 series (Single-phase)



■ Features

1. Automatic frequency switching
50/60Hz automatically switched
2. Compact, lightweight, Cost-effective
3. Variable Soft-up time (0.2 to 8sec)
4. Applicable to inductive loads
Transformer primary control, motor, halogen lamp (using Soft-up)
5. Outstanding output linearization

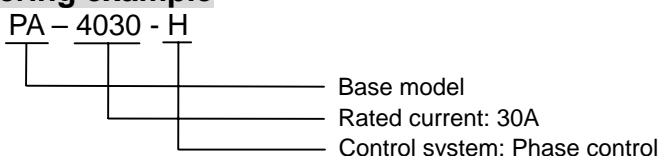


■ Model

PA - 4		□□□	- H	External dimensions	
Rated current	020			20A	(H178 x W59 x D135mm)
	030			30A	
	050			50A	(H198 x W68 x D165mm)
	075			75A	(H228 x W73 x D165mm)
	100			100A	(H228 x W93 x D175mm)
Control system			H	Phase control	

Please specify the specification from the □□□ column.
For further details, please contact our agency or us.

Ordering example

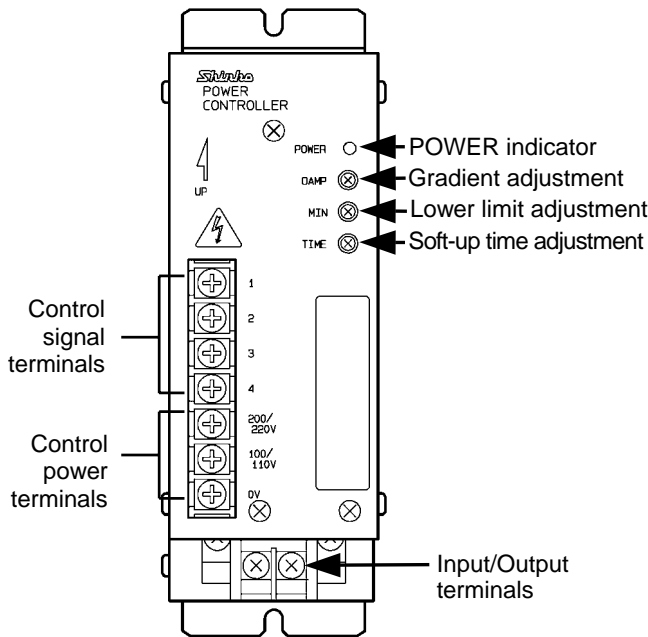


■ Standard specifications

Rated current	PA-4020-H ----- 20A PA-4030-H ----- 30A PA-4050-H ----- 50A PA-4075-H ----- 75A PA-4100-H ----- 100A
Input signal	DC current: 4 to 20mA DC, DC voltage: 0.8 to 4V DC, Manual setting, No-voltage contact
Input resistance	200Ω (4 to 20mA DC), 100kΩ (0.8 to 4V DC), 1kΩ (Manual setting)
Rated voltage	100V/110V AC, 200/220V AC Allowable voltage fluctuation: ± 10% of the Rated voltage
Rated frequency	50/60Hz (automatic switching) Allowable frequency fluctuation: ± 1Hz of the Rated frequency
Output adjustment range	0 to 98% of the Rated voltage
Gradient adjustment range	0 to 100%
Load current fluctuation range	0.1A to Rated current

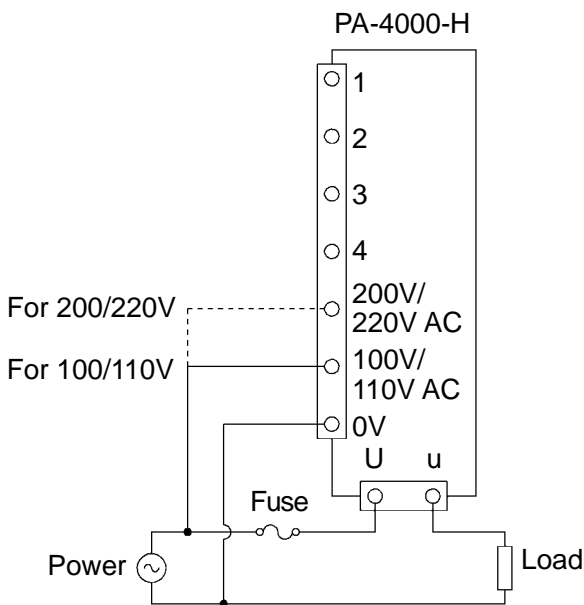
Applicable load	Resistive load, Inductive load
Control system	Phase control
Soft-up	Approx. 0.2 to 8sec, variable
Mounting	Surface mounting
Insulation resistance	Between Main circuit–Ground, Control circuit–Ground: 50M Ω or more, at 500V DC
Dielectric strength	Between Main circuit–Ground, Control circuit–Ground: 1.5kV AC for 1 minute
Ambient temperature	0 to 60°C (Allowable current decreases at 40°C or higher)
Weight	PA-4020-H, PA-4030-H : Approx. 1.1kg PA-4050-H : Approx. 2.4kg PA-4075-H : Approx. 2.9kg PA-4100-H : Approx. 3.1kg

■ Name and terminal arrangement (30A)



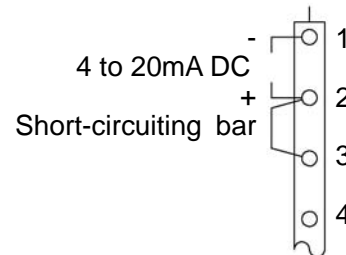
Indicator	POWER indicator: Supplied voltage indicator The green LED lights when power-on.
Adjuster	DAMP: Gradient adjustment (0 to 100%)
	MIN: Lower limit adjustment (0 to 100%)
	TIME: Soft-up time adjustment (0.2 to 8sec)
Control signal terminal	1: Common terminal
	2: 4 to 20mA DC current signal input terminal
	3: Control signal input terminal: Corresponds to output 0 to 98% using 0.8 to 4V DC input.
	4: Reference voltage terminal for control: Outputs 5V DC when no load is applied. Outputs approximately 4.2V DC when connecting 1k Ω of manual setting unit with internal impedance 220 Ω .
Control power terminals	Control power input terminals: Connects in accordance with the supplied voltage.
Input/Output terminals	Main circuit I/O current terminals: Connects power to "U", and load to "u".

■ Main circuit wiring

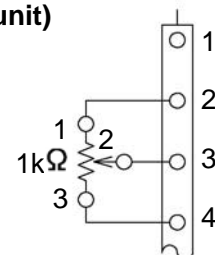


■ Input wiring

• Current input signal

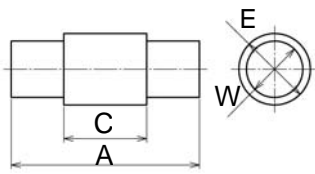


• Manual setting input (with external setting unit)

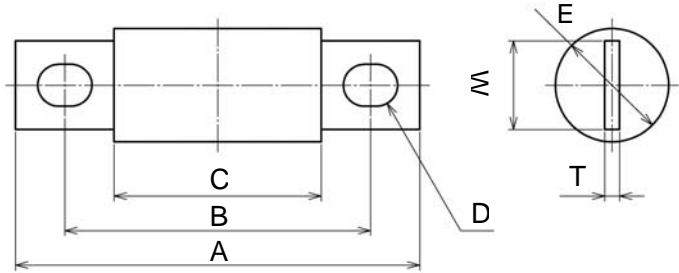


■ Rapid fuse

Current capacity	Model	External dimensions (mm)							Dimensions	
		A	B	C	E	W	T	D		
For 200V	20A	QA25-20 (Sanken airpax Co.,Ltd.)	50	-	22	φ19	φ15	-	-	(Fig.1-1)
	30A	QA25-30 (Sanken airpax Co.,Ltd.)								
	50A	QAB25-50 (Sanken airpax Co.,Ltd.)	80	57	26	φ28	22	5	9x14	(Fig.1-2)
	75A	QAB25-75 (Sanken airpax Co.,Ltd.)								
	100A	QAB25-100 (Sanken airpax Co.,Ltd.)								



(Fig. 1.1)



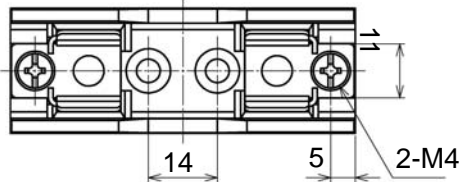
(Fig. 1.2)

■ Fuse holder

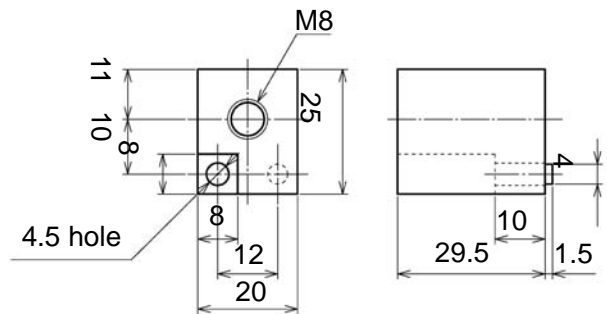
Current capacity	Model	Dimensions
For 20A, 30A	F-7140	(Fig. 2-1)
For 50A, 75A, 100A	F-4000	(Fig. 2-2)

For all PA-4000 units, the fuse is installed externally.

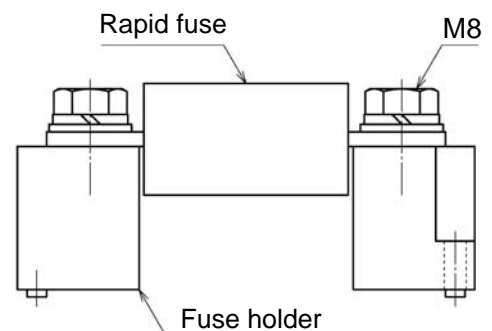
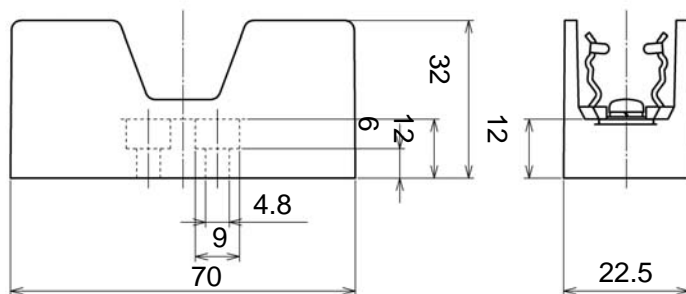
(Scale: mm)



(Fig. 2-1)



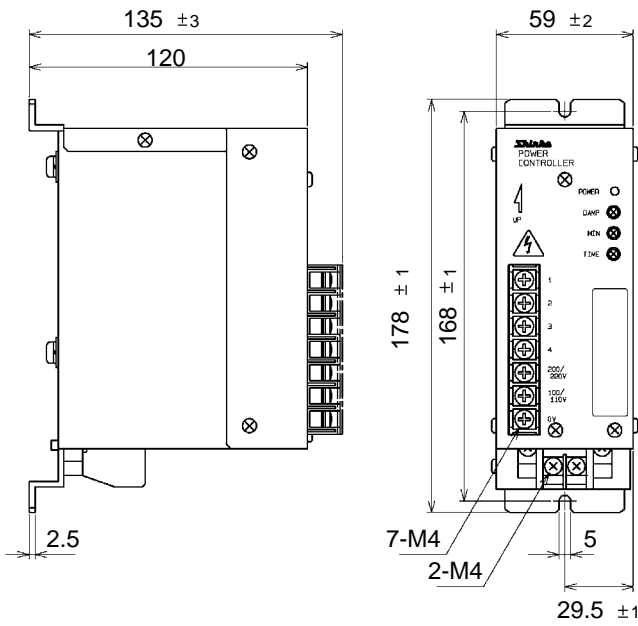
(Fig. 2-2)



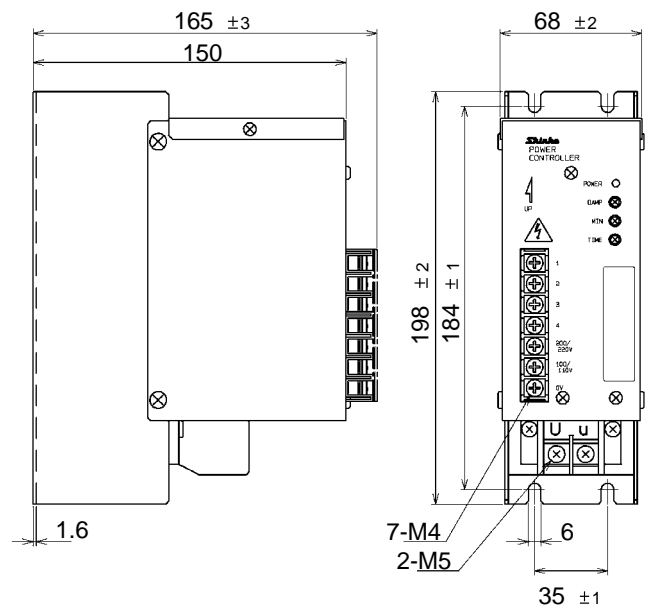
(Fig. 2-2)

External dimensions (Scale: mm)

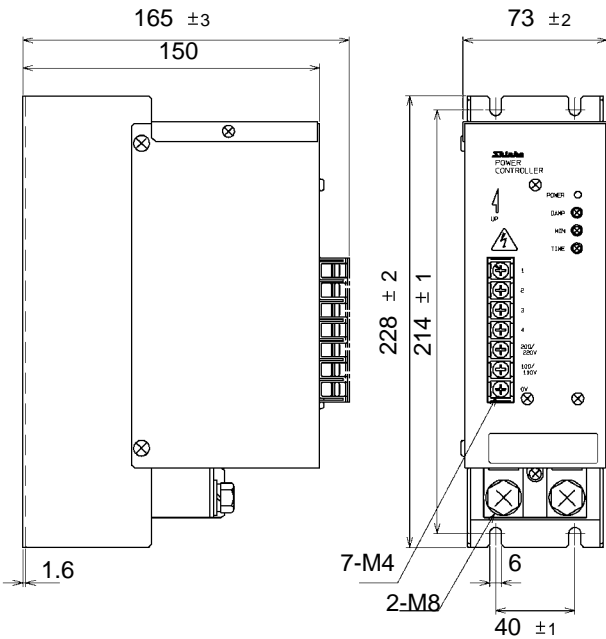
PA-4020H, PA-4030H



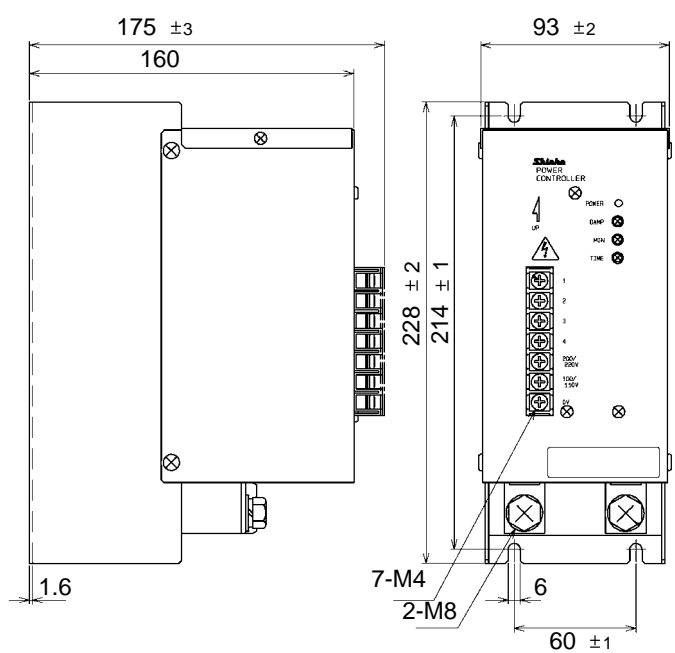
PA-4050-H



PA-4075-H



PA-4100-H



**SAFETY
PRECAUTIONS**

- To ensure safe and correct use, thoroughly read and understand the manual before using this instrument.
- This instrument is intended to be used for industrial machinery, machine tools and measuring equipment. Verify correct usage after consulting purpose of use with our agency or main office. (Never use this instrument for medical purposes with which human lives are involved.)
- External protection devices such as protection equipment against excessive temperature rise, etc. must be installed, as malfunction of this product could result in serious damage to the system or injury to personnel. Also proper periodic maintenance is required.
- This instrument must be used under the conditions and environment described in the manual. Shinko Technos Co., Ltd. does not accept liability for any injury, loss of life or damage occurring due to the instrument being used under conditions not otherwise stated in the manual.

Caution with respect to Export Trade Control Ordinance

To avoid this instrument from being used as a component in, or as being utilized in the manufacture of weapons of mass destruction (i.e. military applications, military equipment, etc.), please investigate the end users and the final use of this instrument. In the case of resale, ensure that this instrument is not illegally exported.



- This catalog is as of October 2007 and its contents are subject to change without notice.
- If you have any inquiries, please consult us or our agency.

SHINKO TECHNOS CO., LTD. OVERSEAS DIVISION

Reg. Office : 2-5-1, Senbahigashi, Minoo, Osaka, 562-0035, Japan
 Tel : 81 - 72 - 727 - 6100
 Fax : 81 - 72 - 727 - 7006
 URL : <http://www.shinko-technos.co.jp>
 E-mail : overseas@shinko-technos.co.jp