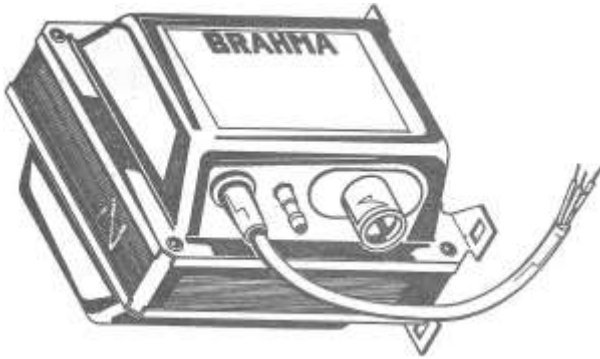
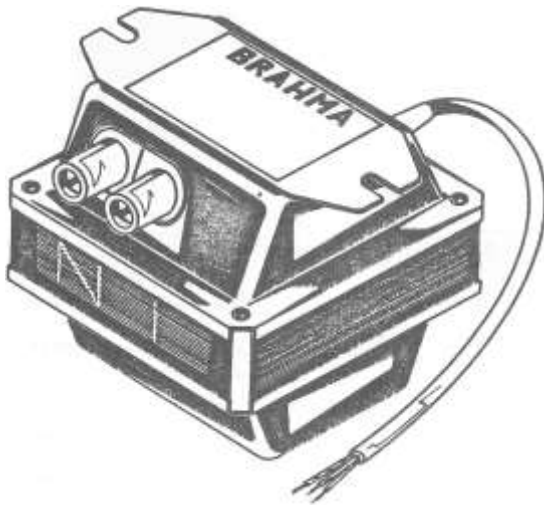


## IGNITION TRANSFORMERS

### Type T11 and T13



### Type T16 and T17



#### DESCRIPTION

Ignition transformers series **T11** and **T16** are suitable for fluid or gaseous fuel burners. Ignition transformers series **T13** and **T17**, with 100% duty-cycle, are particularly suitable for the application on industrial machines (e.g. water cleaners).

#### FEATURES

Followings are the main features of this series:

- various connection and fixing systems;
- high discharge power (they are particularly suitable in all those applications in which long ignition wires are required);
- high efficiency and ignition power.

#### TECHNICAL DATA

- **Supply voltage:** 220V - 50Hz  
(different voltage and frequency values are available on request)
- **Operating temperature range:** -10°C +60°C
- **Isolation:** polyester resin
- **Recommended distance between the electrodes:** 3 ÷ 5 mm
- **Supply cable standard length:** 550 mm

	T11/...	T13/...	T16/...	T17/...
Number of poles	1	1	2	2
Output peak voltage (KV)	1 x 9	1 x 8	2 x 5	2 x 4
Output effective current (mA) (1)	20	16	20	16
Input effective current (A)	1,1	0,65	1,1	0,7
Duty cycle	33% in 3 minutes	100%	33% in 3 minutes	100%
Power consumption (VA)	240	145	240	155
Weight (Kg)	2	2	2	2

(1) : short circuit secondary.

#### CONSTRUCTION

The magnetic circuit across the transformer is mantle-shaped (see general features in Figure 1 and Figure 2). The secondary windings are center grounded. The transformer is provided with a radio interference suppression shield, which for its effectiveness must be connected to a good ground. Two fire painted caps cover the coils and form a whole with the magnetic circuit. Each transformer is detected by the fixed letter T (transformer), by a series of numbers that indicate the model and possibly by a letter of the alphabet which determines a particular fixing system:



**FIXING SYSTEMS**

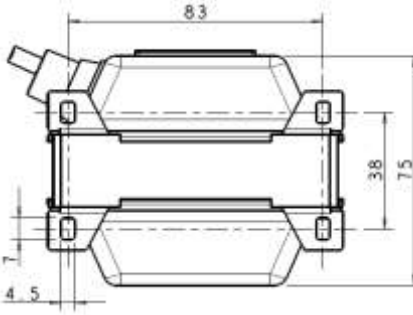
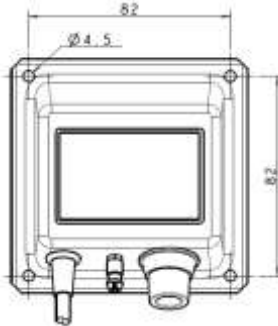
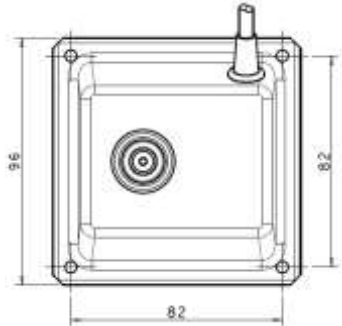
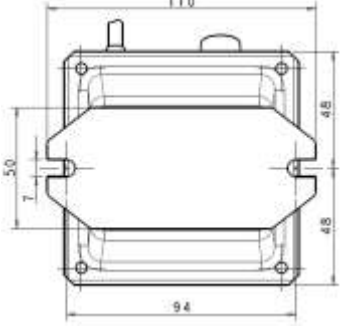
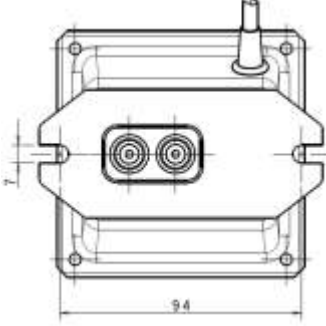
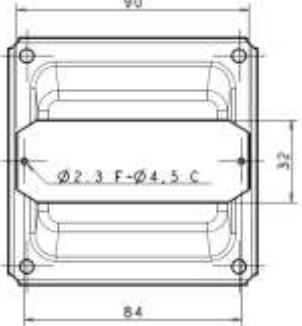
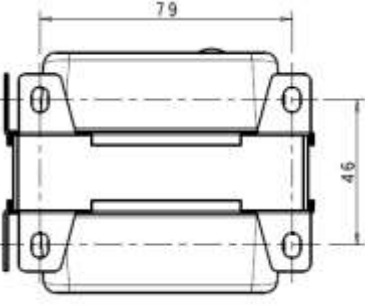
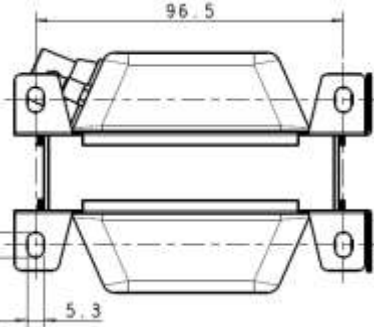
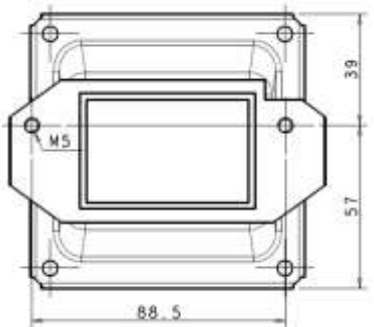
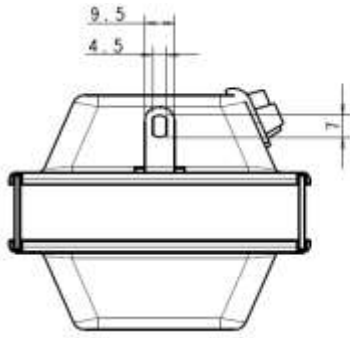
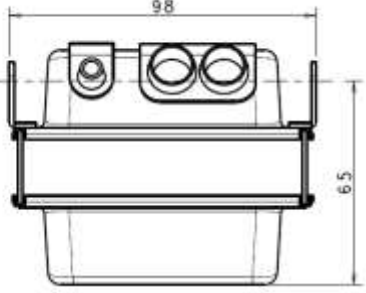
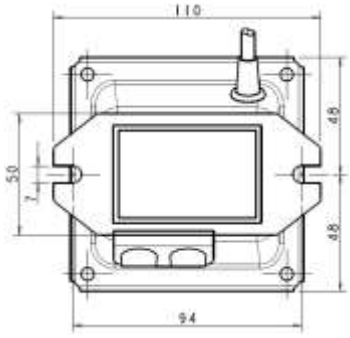
 <p style="text-align: right;"><b>T.../B</b></p>	 <p style="text-align: right;"><b>T.../N</b></p>	 <p style="text-align: right;"><b>T.../NC</b></p>
 <p style="text-align: right;"><b>T.../M</b></p>	 <p style="text-align: right;"><b>T.../MC</b></p>	 <p style="text-align: right;"><b>T.../F - T.../C</b></p>
 <p style="text-align: right;"><b>T.../R</b></p>	 <p style="text-align: right;"><b>T.../R</b></p>	 <p style="text-align: right;"><b>T.../RC</b></p>
 <p style="text-align: right;"><b>T.../W</b></p>	 <p style="text-align: right;"><b>T.../W</b></p>	 <p style="text-align: right;"><b>T.../AN</b></p>

Table 1

**Note :** The images are representative and should therefore be considered only for fixing purpose.



**NOTES ABOUT PRODUCT DISPOSAL**

The device contains electronic components and cannot therefore be disposed of as normal household waste. For the disposal procedure, please refer to the local rules in force for special waste.

**ATTENTION -> Brahma S.p.A. accepts no responsibility for any damage resulting from customer tampering with the product.**