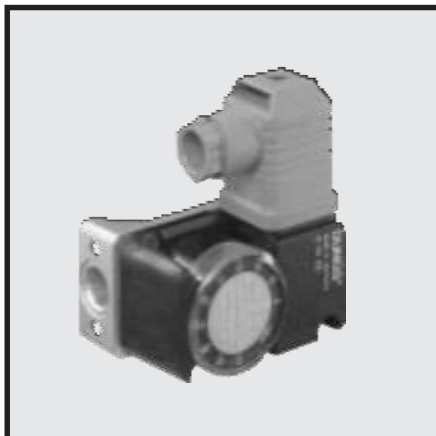
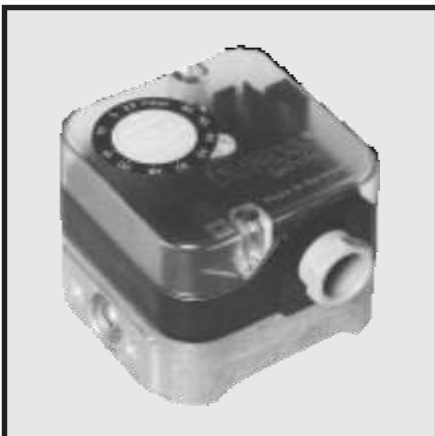


Pressure switches for gas and air
Pressure sensors Product line overview 5.0

DUNGS®





Karl Dungs GmbH & Co. - The pressure switch specialists

For decades we have been manufacturing pressure switches for a wide variety of applications. The original application field was firing systems followed by air-conditioning and ventilation systems as well as special machine tools. Today you can select a device tailored to meet your specific requirements from one of the largest pressure switch product lines.

Product line overview of pressure switches for gas and air/Contents

Leaflet numbers	Page 2
Short technical overview, conversion tables	Page 3
Type overview	Page 4
DDS differential pressure sensor	Page 5
Pressure switch as per EN 1854	Page 6
Double pressure switch as per EN 1854	Page 7
Pressure switch as per EN 1854	Page 8
Pressure limiter as per EN 1854	Page 8
Differential pressure limiter as per EN 1854	Page 9
Vacuum switch as per EN 1854	Page 9
Differential pressure switch as per EN 1854	Page 10
DUNGS Klima-Set	Page 11
Centrifugal switch FW 100 / 2 as per EN 1854	Page 11
Pressure switch typeplates	Page 12

For more detailed information, please refer to the leaflets listed below

Pressure switch product line overview	5.00
High-pressure, gas and air pressure switches GW	5.01
Pressure switch GW...A4	5.02
Pressure switch for multiple actuators GW...A2	5.03
Differential pressure switch for air LGW...A1	5.04
Differential pressure switch for air LGW...A2, LGW...A2P	5.05
Differential pressure switch for air flue and exhaust gases LGW...A4, LGW...A4/2 (IP 65)	5.07
Pressure switch for gas	
Differential pressure switch for air LGW...C2	5.15
Differential pressure switch for air flue and exhaust gases LGW...C3	5.14
Differential pressure sensor for gases and air DDS	9.01
Differential pressure switch for gas GW...A4	5.11
Klima-Set KS...C2	5.13
Centrifugal switch FW 100 / 2	5.08
Compact pressure switches GW...A5	5.12
Compact pressure switches GW...A6	5.16

Brief technical data	Pressure switch for gas and air	Differential pressure switch for air
Max. operating pressures	Refer to individual tables	Refer to individual tables
Temperature ranges	Ambient temperature: -15 °C to +60 °C Medium temperature: -15 °C to +80 °C Important: Make sure that no condensate can enter into the pressure switch. Icing may occur at temperatures below zero and may lead to a malfunction or failure of the equipment.	Ambient temperature: -15 °C to +85 °C Medium temperature: -15 °C to +85 °C
Materials	Gas-conveying housing: aluminium die casting Diaphragms: NBR basis Protective hood: polycarbonate, for GW../2 design hood made of die-cast aluminium Switching contacts: fine silver Special design: gold-plated fine silver	Housing: polycarbonate Diaphragms: NBR or EPDM Switching contacts: fine silver or gold-plated fine silver
Electrical connection	At terminal screws via PG 11 cable gland, for 7 mm dia. to 12.5 mm dia. cables or plug connection with angle connector as per DIN 43 650, 3-pin and protective contact.	At terminal screws via PG 11 cable gland, for 7 mm dia. to 12.5 mm dia. cables or PG 9 For LGW...A1 and LGW...C3, flat-type connector for 6.3 mm plug-in sleeves as per DIN 46 342 or plug connection with angle connector as per DIN 43 650, 3-pin and protective contact.
Degree of protection	Refer to individual tables	Refer to individual tables

Conversion table for pressure units

Unit	Name	Pa	bar	mbar	μbar	N/mm ²	lbf/in ²
1Pa = 1 N/m ²	Pascal	1	10 ⁻⁵	0.01	10	10 ⁻⁶	0.00014
1 bar	Bar	10 ⁵	1	1000	10 ⁶	0.1	14.5037
1 mbar	Millibar	100	10 ⁻³	1	1000	10 ⁻⁴	0.0145
1μbar	Microbar	0.1	10 ⁻⁶	10 ⁻³	1	10 ⁻⁷	0.000014
1 N/mm ²	Newton per mm ²	10 ⁶	10	10 ⁴	10 ⁷	1	145.03
1lbf/in ² (psi)	pounds per square inch	6894.76	0.06895	68.95	68948	0.00689	1

Type overview

Pressure switches for gases and air, $p_{max} \leq 600$ mbar

LGW...A4/2	Square shape • IP 65 • Die-cast hood • Epoxy coating • G 1/4 threaded connection • Switching pressure adjustable by hand wheel
GW...A2	Square shape • Gas pressure switch for DUNGS multiple actuators • O ring flange connection
GW...A3	Square shape • Gas pressure switch for multiple actuators • O ring flange connection
GW...A4	Square shape • Gas pressure switch • G 1/4 threaded connection • Switching pressure adjustable by hand wheel
GW...A5	Rectangular shape • Compact pressure switch for DUNGS multiple actuators • O ring flange connection
GW...A6	Rectangular shape • Compact pressure switch • G 1/4 threaded connection • Switching pressure adjustable by hand wheel

Double pressure switches for gases and air (Überdruckbereich)

GW...A6/...A6	Rectangular shape • Flanged single housings • Switching pressures adjustable by hand wheel
----------------------	--------------------------------------------------------------------------------------------

Pressure switches for gases and air, $p_{max} \geq 2,0$ bar, Metallmembrane

GW 500/2000/6000 A4	Round shape • G 1/4 threaded connection • Switching pressure adjustable by hand wheel
GW 500 A4/2, GW 2000 A4/2, GW 6000 A4/2	

Pressure limiters for gas and air

NB...A2	Square shape • Interlocked as pressure falls • Pressure switch for DUNGS multiple actuators
NB...A4	Square shape • Interlocked as pressure falls • Switching pressure adjustable by hand wheel • Compact pressure switch
ÜB...A2	Square shape • Interlocked as pressure rises • Pressure switch for DUNGS multiple actuators
ÜB...A4	Square shape • Interlocked as pressure rises • Switching pressure adjustable using hand wheel • Compact pressure switch

Differential pressure switches for gases and air

GGW...A4	Square shape • Differential pressure switch for gas in pressure range • G 1/4 and G 1/8 threaded connections • Switching pressure adjustable by hand wheel
GGW...A4/U	Square shape • Differential pressure switch for gas in vacuum range • G 1/4 and G 1/8 threaded connections • Switching pressure adjustable by hand wheel
LGW...A4	Square shape • Differential pressure switch for air, pressure switch for gas • G 1/4 and G 1/8 threaded connections • Switching pressure adjustable by hand wheel

Differential pressure switches for air

LGW...A1	Square shape • Fixed adjustment at factory • Connection for 4 mm dia. hose
LGW...A2	Square shape • Switching pressure adjustable by hand wheel • Connection for 4 mm dia. hose
LGW...A2P	Square shape • Test button • Switching pressure adjustable by hand wheel • G 1/4 (tapered) and G 1/8 threaded connections
LGW...C2	Round shape • Large diaphragm diameter • Switching pressure adjustable by hand wheel • Connection for 4 mm dia. and 6 mm dia. hoses
LGW...C3	Round shape • Fixed adjustment at factory • Connection for 6 mm dia. hose
LGW...A4/2	Square shape • IP 65 • Die-cast hood • Powder-coated • G 1/4 and G 1/8 threaded connection • Switching pressure adjustable by hand wheel

Klima-Set (differential pressure switch for ventilation and air-conditioning systems with complete range of accessories)

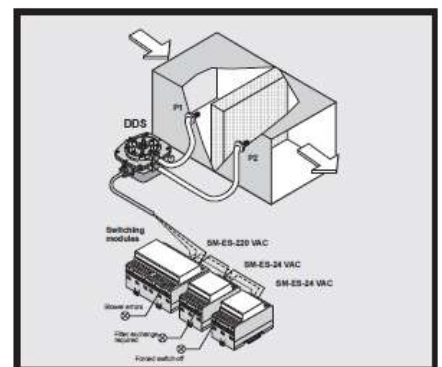
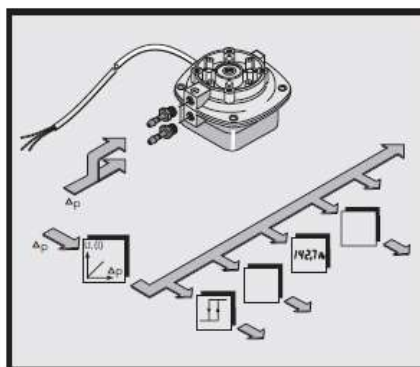
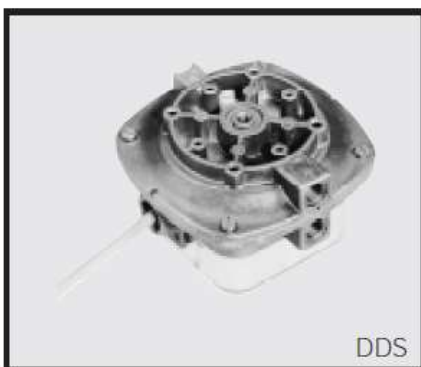
KS...C2	Round shape • Switching pressure adjustable by hand wheel • Suitable for DDC applications
----------------	-------------------------------------------------------------------------------------------

Electronic differential pressure sensor for gases and air

DDS	Non-contacting transformer (pressure to voltage) with continuous output 0 - 10 V • Round shape, aluminium version • Different measuring ranges possible • G 1/8 threaded connection
------------	-------------------------------------------------------------------------------------------------------------------------------------------------------------------------------------

Differential pressure sensor for gas and air
 Pressure sensor in compliance with DIN 3398.
 For gases of families 1, 2, 3 and other neutral media.

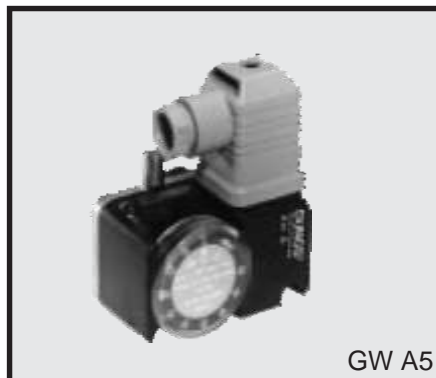
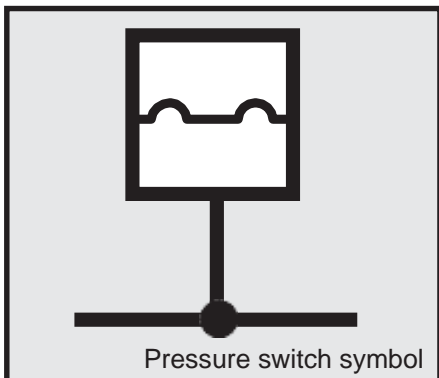
Product	Type	Order No.	Setting ranges [Pa]	Air	Gas	Degree of protection	Max. operating pressure [kPa]
Differential pressure sensor	DDS 100-M2	215 052	0 - 100	X	X	IP 54	5
	DDS 150-M2	216 538	0 - 150	X	X	IP 54	5
	DDS 500-M2	215 055	0 - 500	X	X	IP 54	5
	DDS 1000-M2	215 056	0 - 1000	X	X	IP 54	5
	DDS 1500-M2	215 057	0 - 1500	X	X	IP 54	5
	DDS 3000-M2	231 313	0 - 3000	X	X	IP 54	5
Differential pressure sensor with mounting kit	DDS 100-M2	219 099	0 - 100	X	—	IP 54	5
	DDS 150-M2	219 102	0 - 150	X	—	IP 54	5
	DDS 500-M2	219 105	0 - 500	X	—	IP 54	5
	DDS 1000-M2	219 108	0 - 1000	X	—	IP 54	5
	DDS 1500-M2	219 111	0 - 1500	X	—	IP 54	5
	DDS 3000-M2	231 284	0 - 3000	X	X	IP 54	5
Mounting kit, complete		216 992		X			
Mounting bracket		230 288		X			
Connection hose \varnothing 4 (10 x)		230 303		X			



Pressure switch for firing systems

Pressure switch as per EN 1854 for gases of families 1, 2, 3 and other neutral gaseous media. EU type test approval as per EU Gas Appliance Directive.

Product	Type	Order No.	Setting ranges [mbar]	Switching difference Δp [mbar]	Air	Gas	Degree of protection	Max. operating pressure [mbar]
Pressure switch for gas and air	GW 3 A2	215 230	0,4 - 3	$\leq 0,3$	X	X	IP 54	500
	GW 10 A2	215 231	1 - 10	$\leq 0,5$	X	X	IP 54	500
	GW 50 A2	215 232	2,5 - 50	≤ 1	X	X	IP 54	500
	GW 50 A2	215 233	5 - 50	≤ 1	X	X	IP 54	500
	GW 150 A2	215 234	5 - 150	≤ 3	X	X	IP 54	500
	GW 150 A2	215 235	30 - 150	≤ 3	X	X	IP 54	500
	GW 500 A2	215 236	100 - 500	≤ 10	X	X	IP 54	600
	GW 10 A3	as per Spez.	1 - 10	$\leq 1,0$	X	X	IP 00-54	150
	GW 50 A3	as per Spez.	2,5 - 50	$\leq 2,5$	X	X	IP 00-54	150
	GW 100 A3	as per Spez.	20 - 100	$\leq 8,0$	X	X	IP 00-54	150
[AG 3 V12]	GW 3 A5	229 250	0,7 - 3	$\leq 0,7$	X	X	IP 54	500
	GW 10 A5	225 938	2 - 10	≤ 1	X	X	IP 54	500
	GW 50 A5	225 939	5 - 50	$\leq 2,5$	X	X	IP 54	500
	GW 150 A5	225 940	10 - 150	≤ 5	X	X	IP 54	500
	GW 500 A5	227 639	100 - 500	≤ 15	X	X	IP 54	600
[AG 3 V 2]	GW 500 A5	227 639	100 - 500	≤ 15	X	X	IP 54	600
	GW 500 A4/2237 804	100 - 500	100 - 500	≤ 10	X	X	IP 65	600
[AG M M\$9 V0 VS]								



Pressure switch for firing systems

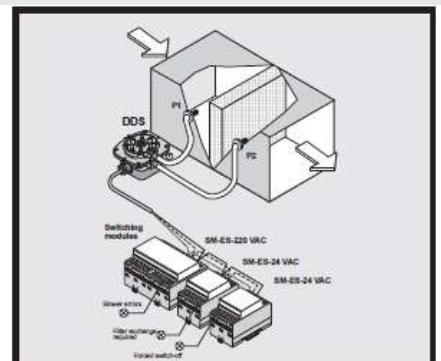
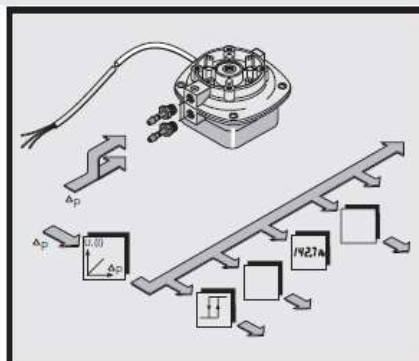
Double pressure switch as per EN 1854 for gases of families 1, 2, 3 and other neutral gaseous media. EU type test approval as per EU Gas Appliance Directive.

Product	Type	Order No.	Setting ranges [mbar]	Switching difference Δp [mbar]	Air	Gas	Degree of protection	Max. operating pressure [mbar]
Pressure switch for gas and air [AG G3 MS9 V0]	GW 3 A6	228 723	0,7 - 3	$\leq 0,7$	X	X	IP 54	500
	GW 10 A6	228 724	2 - 10	$\leq 1,0$	X	X	IP 54	500
	GW 50 A6	228 725	5 - 50	$\leq 2,5$	X	X	IP 54	500
	GW 150 A6	228 726	10 - 150	≤ 5	X	X	IP 54	500
	GW 500 A6	228 727	100 - 500	≤ 15	X	X	IP 54	600
Double pressure switch for gas and air [MIN: G3 M9 VS3 VS0] [MAX: G3 MS9 V3 V0]	GW3A6/3A6	229 235	0,7 - 3 0,7- 3	$\leq 0,7$ $\leq 0,7$	X	X	IP 54	500
	GW3A6/10A6	229 236	0,7 - 3 2 - 10	$\leq 0,7$ $\leq 1,0$	X	X	IP 54	500
	GW10A6/10A6	229 237	2 - 10 2 - 10	$\leq 1,0$ $\leq 1,0$	X	X	IP 54	500
	GW10A6/50A6	229 238	2 - 10 5 - 50	$\leq 1,0$ $\leq 2,5$	X	X	IP 54	500
	GW10A6/150A6	229 239	2 - 10 10 -150	$\leq 1,0$ ≤ 5	X	X	IP 54	500
	GW50A6/50A6	229 240	5 - 50 5 - 50	$\leq 2,5$ $\leq 2,5$	X	X	IP 54	500
	GW50A6/150A6	229 241	5 - 50 10 -150	$\leq 2,5$ $\leq 5,0$	X	X	IP 54	500
	GW150A6/150A6	229 242	10 - 150 10 -150	≤ 5 ≤ 5	X	X	IP 54	500
GW500A6/500A6	229 243	100 - 500 100-500	≤ 15 ≤ 15	X	X	IP 54	600	

Pressure switch for firing systems

Pressure switch as per DIN 3398, DIN EN 3398, Part 3 and DIN EN 1854 for gases of families 1, 2, 3 and other neutral gaseous media. EU type test approval as per EU Gas Appliance Directive.

Product	Type	Order No.	Setting ranges [mbar]	Switching difference Δp [mbar]	Air	Gas	Degree of protection	Max. operating pressure [mbar]
Pressure switch	GW 500 A4	232 034	100 - 500	≤ 15	X	X	IP 54	2000
	GW 500 A4/2	232 105	100 - 500	≤ 15	X	X	IP 65	2000
	GW 2000 A4	232 037	300 - 2000	≤ 30	X	X	IP 54	4000
	GW 2000 A4/2	232 106	300 - 2000	≤ 30	X	X	IP 65	4000
	GW 6000 A4	232 039	1000 - 6000	≤ 300	X	X	IP 54	7200
	GW 6000 A4/2	232 107	1000 - 6000	≤ 300	X	X	IP 65	7200



Pressure switch for firing systems

Pressure switch as per DIN 3398, Part 1, EN 1854 for gases of families 1, 2, 3 and other neutral gaseous media.
 EU type test approval as per EU Gas Appliance Directive.

Product	Type	Order No.	Setting ranges[mbar]	Switching difference Δp [mbar]	Air	Gas	Degree of protection	Max. operating pressure [mbar]
Pressure limiter [AG G3 V12] ↓	NB 50 A2	215 237	2,5 - 50	—	X	X	IP 54	500
	NB 150 A2	215 240	30 - 150	—	X	X	IP 54	500
	NB 500 A2	215 241	100 - 500	—	X	X	IP 54	600
Pressure limiter [AG PG MS9 V0] ↓	NB 50 A4	210 534	2,5 - 50	—	X	X	IP 54	500
	NB 150 A4	210 931	30 - 150	—	X	X	IP 54	500
	NB 500 A4	210 971	100 - 500	—	X	X	IP 54	600
Pressure limiter [AG G3 V12] ↑	ÜB 50 A2	215 242	2,5 - 50	—	X	X	IP 54	500
	ÜB 150 A2	215 245	30 - 150	—	X	X	IP 54	500
	ÜB 500 A2	215 246	100 - 500	—	X	X	IP 54	600
Pressure limiter [AG PG MS9 V0] ↑	ÜB 50 A4	210 537	2,5 - 50	—	X	X	IP 54	500
	ÜB 150 A4	138 630	30 - 150	—	X	X	IP 54	500
	ÜB 500 A4	210 970	100 - 500	—	X	X	IP 54	600



Pressure switch for firing systems

Differential pressure switch as per EN 1854 for gases of families 1, 2, 3 and other neutral gaseous media. EU type test approval as per EU Gas Appliance Directive.

Product	Type	Order No.	Setting ranges [mbar]	Switching difference Δp [mbar]	Air	Gas	Degree of protection	Max. operating pressure [mbar]
Pressure [AG M MS9 V0 VS3 NH ₃ best.]	GGW 3 A4	232 108	0,4 - 3	$\leq 0,3$	X	X	IP 54	500
	GGW 10 A4	232 109	1 - 10	$\leq 0,5$	X	X	IP 54	500
	GGW 50 A4	232 110	2,5 - 50	≤ 1	X	X	IP 54	500
	GGW 150 A4	232 111	30 - 150	≤ 3	X	X	IP 54	500
Vacuum [AG M MS9 V0 VS3 NH ₃ best.]	GGW3 A4-U	232 991	-0,4 - -3	$\leq 0,3$	X	X	IP 54	-500
	GGW 10 A4-U	232 992	-1 - -10	$\leq 0,5$	X	X	IP 54	-500
	GGW50 A4-U	232 993	-2,5 - -50	≤ 1	X	X	IP 54	-500
	GGW 150 A4-U	232 994	-30 - -150	≤ 3	X	X	IP 54	-500



Differential pressure switches for air, flue and exhaust gases in firing systems
 Differential pressure switches per DIN 3398 Part 2; LGW A4 DIN EN 1854
 EU type test approval as per EU Gas Appliance Directive.

Product	Type	Order No.	Setting ranges [mbar]	Switching difference Δp [mbar]	Air	Gas	Degree of protection	Max. operating pressure [mbar]
Differential pressure switch for air	LGW 3 A1	as per Spez.	0,4 - 3	$\leq 0,35$	X	—		100
	LGW 10 A1	as per Spez.	1 - 10	$\leq 0,5$	X	—		100
	LGW 50 A1	as per Spez.	2,5 - 50	≤ 1	X	—		100
[AG PG V9]	LGW 3 A2	107 409	0,4 - 3	$\leq 0,35$	X	—		500
	LGW 10 A2	107 417	1 - 10	$\leq 0,5$	X	—		500
	LGW 50 A2	107 425	2,5 - 50	≤ 1	X	—		500
	LGW 150 A2	107 433	30 - 150	≤ 3	X	—		500
[AG PG V9]	LGW 3 A2P	120 204	0,4 - 3	$\leq 0,35$	X	—		500
	LGW 10 A2P	120 212	1 - 10	$\leq 0,5$	X	—		500
	LGW 50 A2P	120 220	2,5 - 50	≤ 1	X	—		500
	LGW150 A2P	120 238	30 - 150	≤ 3	X	—		500
[AG PG MS9 VS3 V0]	LGW 3 A4	221 590	0,4 - 3	$\leq 0,3$	X	X**		500
	LGW 10 A4	221 591	1 - 10	$\leq 0,5$	X	X**		500
	LGW 50 A4	221 592	2,5 - 50	≤ 1	X	X**		500
	LGW 150 A4	221 593	30 - 150	≤ 3	X	X**		500
[AG PG V3]	LGW 1,5 C2	212 200	0,2 - 1,5	$\leq 0,2$	X	—		50
	LGW 3 C2	212 571	0,4 - 3	$\leq 0,3$	X	—		50
	LGW 10 C2	212 572	1 - 10	$\leq 0,5$	X	—		50
	LGW 1,5 C3	as per Spez.	0,2 - 1,5	$\leq 0,07-0,3$	X	—		50
	LGW 3 C3	as per Spez.	0,4 - 3	$\leq 0,12-0,4$	X	—		50
	LGW 10 C3	as per Spez.	1 - 10	$\leq 0,20-0,6$	X	—		50
[AG M MS9 V0]	LGW 3 A4/2	232 041	0,4 - 3	$\leq 0,3$	X	X**		500
	LGW 10 A4/2	232 046	1 - 10	$\leq 0,5$	X	X**		500
	LGW 50 A4/2	232 048	2,5 - 50	≤ 1	X	X**		500
	LGW 150 A4/2	232 050	30 - 150	≤ 3	X	X**		500

* optionally IP 42 or IP 20. Pressure switch with IP 10 or IP 20 must be installed so that degree of protection IP 44 is ensured during operation.

** applies only to connection to G 1/4, lower pressure chamber

Pressure switch for ventilation and air-conditioning systems
Differential pressure switch for air
DUNGS Klima-Set with complete mounting kit

Product	Type	Order No.	Setting ranges [Pa]	Switching difference Δp [Pa]	Air	Gas	Degree of protection	Max. operating pressure [kPa]
Klima-Set	KS 150 C2	217 773	↓ □ 20 - 150	≤ 18	X	—	IP 54	5
	KS 300/1 C2	224 390	↓ □ 20 - 300	≤ 20	X	—	IP 54	5
	KS 300 C2	217 774	↑ □ 40 - 300	≤ 20	X	—	IP 54	5
	KS 500 C2	226 885	↑ □ 30 - 500	≤ 25	X	—	IP 54	5
	KS 600 C2	217 775	↑ □ 70 - 600	≤ 30	X	—	IP 54	5
	KS 1000 C2	217 776	↑ □ 100 - 1000	≤ 40	X	—	IP 54	5
	KS 3000 C2	217 777	↑ □ 250 - 3000	≤ 80	X	—	IP 54	5



Centrifugal switch
Air supply loss protection for forced-air burner and ventilator motors as per DIN 32 726
DIN-tested and registered to DIN-DVGW

Product	Type	Order No.	Degree of protection	Speeds	Electrical data
Centrifugal switch	FW 100/2	210 312	IP 44	Switch-on speed (as speed increases), DIN 32 726: $n \leq 2565 \text{ rpm}^{-1}$	Voltage: 220 VAC Nominal current: 5 A (ohmic load)
	FW 100/2	211 523	IP 54	Switch-off speed (as speed decreases), DIN 32 726: $n \geq 2160 \text{ rpm}^{-1}$ Special speeds on request Range: 800 - 4000 rpm	



**Pressure switches for gas and air
 Pressure sensors Typeplat**

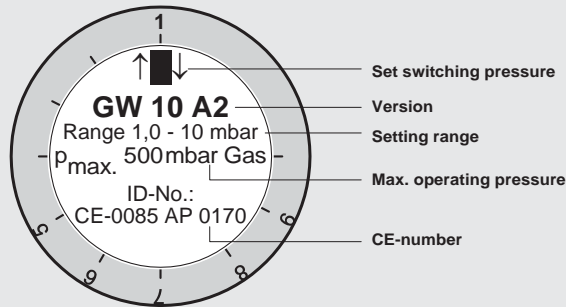


Gas pressure typeplate

All the information is indicated on the pressure switch setting wheel.

The setting wheel for **gas pressure switches** is always **yellow**.

Types: GW...A2, GW...A4, GW...A5, GW...A6, ÜB...A2, ÜB...A4, NB...A2, NB...A4

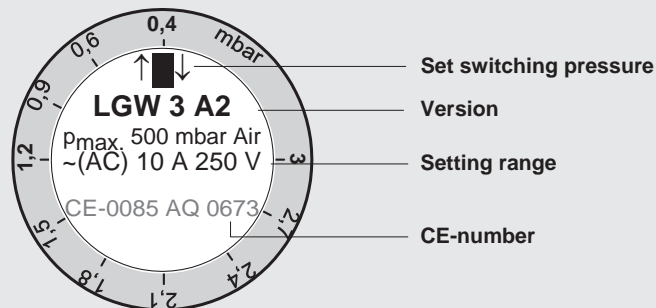


Typeplate for differential pressure switches for gases and/or air

The setting wheel for **gas pressure switches** is **yellow**.

It is always **blue** for differential pressure switches for **air**.

Types: LGW, LGW...A2, LGW...A2P, LGW...A4, LGW...C2, KS...C2



Differential pressure switches for air, flue and exhaust gases

The LGW...A1 differential pressure switch is only manufactured to customer-specific switching values.

Each differential pressure switch therefore has an individual typeplate. The typeplate is affixed to the equipment.

