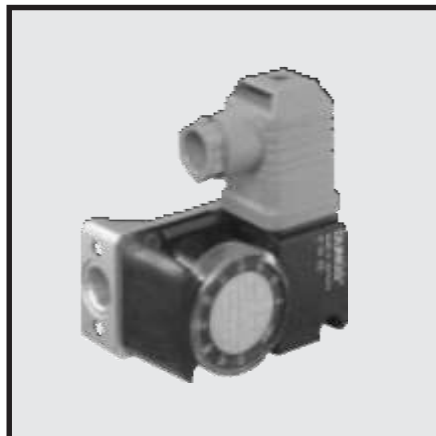
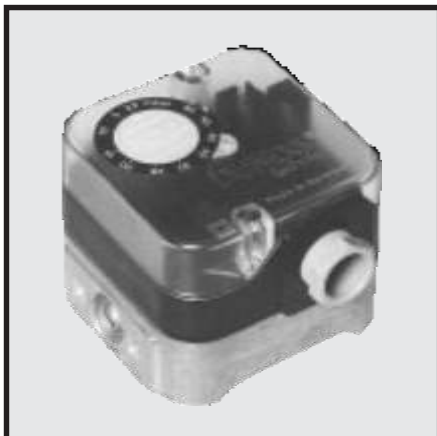


Pressure switches for gas and air
Pressure sensors Product line overview 5.0

DUNGS®





Karl Dungs GmbH & Co. - The pressure switch specialists

For decades we have been manufacturing pressure switches for a wide variety of applications. The original application field was firing systems followed by air-conditioning and ventilation systems as well as special machine tools. Today you can select a device tailored to meet your specific requirements from one of the largest pressure switch product lines.

Product line overview of pressure switches for gas and air/Contents

| | |
|--|---------|
| Leaflet numbers | Page 2 |
| Short technical overview, conversion tables | Page 3 |
| Type overview | Page 4 |
| DDS differential pressure sensor | Page 5 |
| Pressure switch as per EN 1854 | Page 6 |
| Double pressure switch as per EN 1854 | Page 7 |
| Pressure switch as per EN 1854 | Page 8 |
| Pressure limiter as per EN 1854 | Page 8 |
| Differential pressure limiter as per EN 1854 | Page 9 |
| Vacuum switch as per EN 1854 | Page 9 |
| Differential pressure switch as per EN 1854 | Page 10 |
| DUNGS Klima-Set | Page 11 |
| Centrifugal switch FW 100 / 2 as per EN 1854 | Page 11 |
| Pressure switch typeplates | Page 12 |

For more detailed information, please refer to the leaflets listed below

| | |
|--|------|
| Pressure switch product line overview | 5.00 |
| High-pressure, gas and air pressure switches GW | 5.01 |
| Pressure switch GW...A4 | 5.02 |
| Pressure switch for multiple actuators GW...A2 | 5.03 |
| Differential pressure switch for air LGW...A1 | 5.04 |
| Differential pressure switch for air LGW...A2, LGW...A2P | 5.05 |
| Differential pressure switch for air flue and exhaust gases LGW...A4, LGW...A4/2 (IP 65) | 5.07 |
| Pressure switch for gas | |
| Differential pressure switch for air LGW...C2 | 5.15 |
| Differential pressure switch for air flue and exhaust gases LGW...C3 | 5.14 |
| Differential pressure sensor for gases and air DDS | 9.01 |
| Differential pressure switch for gas GW...A4 | 5.11 |
| Klima-Set KS...C2 | 5.13 |
| Centrifugal switch FW 100 / 2 | 5.08 |
| Compact pressure switches GW...A5 | 5.12 |
| Compact pressure switches GW...A6 | 5.16 |

| Brief technical data | Pressure switch for gas and air | Differential pressure switch for air |
|---------------------------------|---|--|
| Max. operating pressures | Refer to individual tables | Refer to individual tables |
| Temperature ranges | Ambient temperature: -15 °C to +60 °C Medium temperature: -15 °C to +80 °C Important: Make sure that no condensate can enter into the pressure switch. Icing may occur at temperatures below zero and may lead to a malfunction or failure of the equipment. | Ambient temperature: -15 °C to +85 °C Medium temperature: -15 °C to +85 °C |
| Materials | Gas-conveying housing: aluminium die casting Diaphragms: NBR basis Protective hood: polycarbonate, for GW../2 design hood made of die-cast aluminium Switching contacts: fine silver Special design: gold-plated fine silver | Housing: polycarbonate Diaphragms: NBR or EPDM Switching contacts: fine silver or gold-plated fine silver |
| Electrical connection | At terminal screws via PG 11 cable gland, for 7 mm dia. to 12.5 mm dia. cables or plug connection with angle connector as per DIN 43 650, 3-pin and protective contact. | At terminal screws via PG 11 cable gland, for 7 mm dia. to 12.5 mm dia. cables or PG 9 For LGW...A1 and LGW...C3, flat-type connector for 6.3 mm plug-in sleeves as per DIN 46 342 or plug connection with angle connector as per DIN 43 650, 3-pin and protective contact. |
| Degree of protection | Refer to individual tables | Refer to individual tables |

Conversion table for pressure units

| Unit | Name | Pa | bar | mbar | μbar | N/mm ² | lbf/in ² |
|----------------------------|----------------------------|-----------------|------------------|------------------|-----------------|-------------------|---------------------|
| 1Pa = 1 N/m ² | Pascal | 1 | 10 ⁻⁵ | 0.01 | 10 | 10 ⁻⁶ | 0.00014 |
| 1 bar | Bar | 10 ⁵ | 1 | 1000 | 10 ⁶ | 0.1 | 14.5037 |
| 1 mbar | Millibar | 100 | 10 ⁻³ | 1 | 1000 | 10 ⁻⁴ | 0.0145 |
| 1μbar | Microbar | 0.1 | 10 ⁻⁶ | 10 ⁻³ | 1 | 10 ⁻⁷ | 0.000014 |
| 1 N/mm ² | Newton per mm ² | 10 ⁶ | 10 | 10 ⁴ | 10 ⁷ | 1 | 145.03 |
| 1lbf/in ² (psi) | pounds per square inch | 6894.76 | 0.06895 | 68.95 | 68948 | 0.00689 | 1 |

Type overview

Pressure switches for gases and air, $p_{max} \leq 600$ mbar

| | |
|-------------------|--|
| LGW...A4/2 | Square shape • IP 65 • Die-cast hood • Epoxy coating • G 1/4 threaded connection • Switching pressure adjustable by hand wheel |
| GW...A2 | Square shape • Gas pressure switch for DUNGS multiple actuators • O ring flange connection |
| GW...A3 | Square shape • Gas pressure switch for multiple actuators • O ring flange connection |
| GW...A4 | Square shape • Gas pressure switch • G 1/4 threaded connection • Switching pressure adjustable by hand wheel |
| GW...A5 | Rectangular shape • Compact pressure switch for DUNGS multiple actuators • O ring flange connection |
| GW...A6 | Rectangular shape • Compact pressure switch • G 1/4 threaded connection • Switching pressure adjustable by hand wheel |

Double pressure switches for gases and air (Überdruckbereich)

| | |
|----------------------|--|
| GW...A6/...A6 | Rectangular shape • Flanged single housings • Switching pressures adjustable by hand wheel |
|----------------------|--|

Pressure switches for gases and air, $p_{max} \geq 2,0$ bar, Metallmembrane

| | |
|--|---|
| GW 500/2000/6000 A4 | Round shape • G 1/4 threaded connection • Switching pressure adjustable by hand wheel |
| GW 500 A4/2, GW 2000 A4/2, GW 6000 A4/2 | |

Pressure limiters for gas and air

| | |
|----------------|---|
| NB...A2 | Square shape • Interlocked as pressure falls • Pressure switch for DUNGS multiple actuators |
| NB...A4 | Square shape • Interlocked as pressure falls • Switching pressure adjustable by hand wheel • Compact pressure switch |
| ÜB...A2 | Square shape • Interlocked as pressure rises • Pressure switch for DUNGS multiple actuators |
| ÜB...A4 | Square shape • Interlocked as pressure rises • Switching pressure adjustable using hand wheel • Compact pressure switch |

Differential pressure switches for gases and air

| | |
|-------------------|---|
| GGW...A4 | Square shape • Differential pressure switch for gas in pressure range • G 1/4 and G 1/8 threaded connections • Switching pressure adjustable by hand wheel |
| GGW...A4/U | Square shape • Differential pressure switch for gas in vacuum range • G 1/4 and G 1/8 threaded connections • Switching pressure adjustable by hand wheel |
| LGW...A4 | Square shape • Differential pressure switch for air, pressure switch for gas • G 1/4 and G 1/8 threaded connections • Switching pressure adjustable by hand wheel |

Differential pressure switches for air

| | |
|-------------------|--|
| LGW...A1 | Square shape • Fixed adjustment at factory • Connection for 4 mm dia. hose |
| LGW...A2 | Square shape • Switching pressure adjustable by hand wheel • Connection for 4 mm dia. hose |
| LGW...A2P | Square shape • Test button • Switching pressure adjustable by hand wheel • G 1/4 (tapered) and G 1/8 threaded connections |
| LGW...C2 | Round shape • Large diaphragm diameter • Switching pressure adjustable by hand wheel • Connection for 4 mm dia. and 6 mm dia. hoses |
| LGW...C3 | Round shape • Fixed adjustment at factory • Connection for 6 mm dia. hose |
| LGW...A4/2 | Square shape • IP 65 • Die-cast hood • Powder-coated • G 1/4 and G 1/8 threaded connection • Switching pressure adjustable by hand wheel |

Klima-Set (differential pressure switch for ventilation and air-conditioning systems with complete range of accessories)

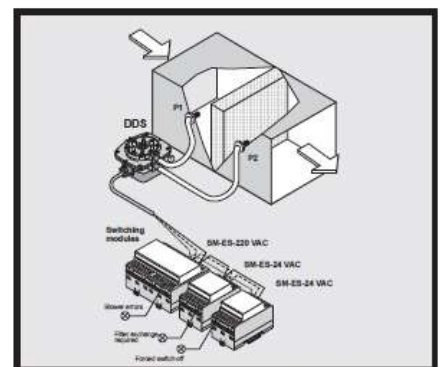
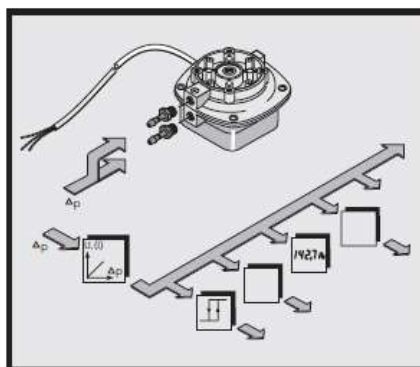
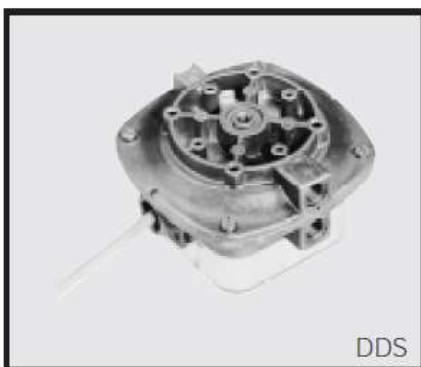
| | |
|----------------|---|
| KS...C2 | Round shape • Switching pressure adjustable by hand wheel • Suitable for DDC applications |
|----------------|---|

Electronic differential pressure sensor for gases and air

| | |
|------------|---|
| DDS | Non-contacting transformer (pressure to voltage) with continuous output 0 - 10 V • Round shape, aluminium version • Different measuring ranges possible • G 1/8 threaded connection |
|------------|---|

Differential pressure sensor for gas and air
 Pressure sensor in compliance with DIN 3398.
 For gases of families 1, 2, 3 and other neutral media.

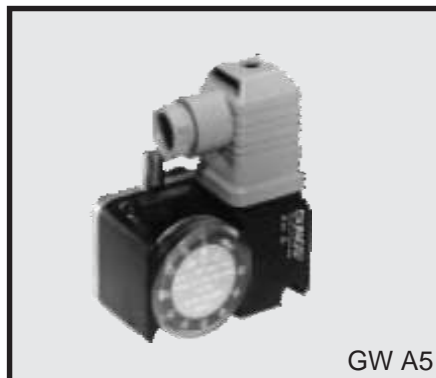
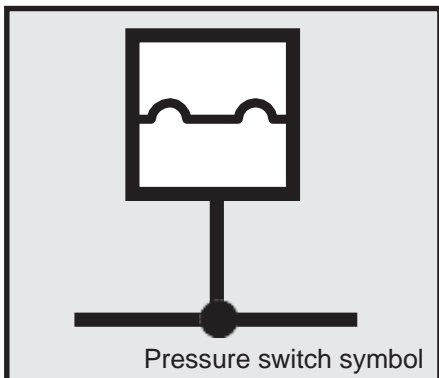
| Product | Type | Order No. | Setting ranges [Pa] | Air | Gas | Degree of protection | Max. operating pressure [kPa] |
|--|-------------|-----------|---------------------|-----|-----|----------------------|-------------------------------|
| Differential pressure sensor | DDS 100-M2 | 215 052 | 0 - 100 | X | X | IP 54 | 5 |
| | DDS 150-M2 | 216 538 | 0 - 150 | X | X | IP 54 | 5 |
| | DDS 500-M2 | 215 055 | 0 - 500 | X | X | IP 54 | 5 |
| | DDS 1000-M2 | 215 056 | 0 - 1000 | X | X | IP 54 | 5 |
| | DDS 1500-M2 | 215 057 | 0 - 1500 | X | X | IP 54 | 5 |
| | DDS 3000-M2 | 231 313 | 0 - 3000 | X | X | IP 54 | 5 |
| Differential pressure sensor with mounting kit | DDS 100-M2 | 219 099 | 0 - 100 | X | — | IP 54 | 5 |
| | DDS 150-M2 | 219 102 | 0 - 150 | X | — | IP 54 | 5 |
| | DDS 500-M2 | 219 105 | 0 - 500 | X | — | IP 54 | 5 |
| | DDS 1000-M2 | 219 108 | 0 - 1000 | X | — | IP 54 | 5 |
| | DDS 1500-M2 | 219 111 | 0 - 1500 | X | — | IP 54 | 5 |
| | DDS 3000-M2 | 231 284 | 0 - 3000 | X | X | IP 54 | 5 |
| Mounting kit, complete | | 216 992 | | X | | | |
| Mounting bracket | | 230 288 | | X | | | |
| Connection hose \varnothing 4 (10 x) | | 230 303 | | X | | | |



Pressure switch for firing systems

Pressure switch as per EN 1854 for gases of families 1, 2, 3 and other neutral gaseous media. EU type test approval as per EU Gas Appliance Directive.

| Product | Type | Order No. | Setting ranges [mbar] | Switching difference Δp [mbar] | Air | Gas | Degree of protection | Max. operating pressure [mbar] |
|---------------------------------|--------------------|--------------|-----------------------|--|-----|-----|----------------------|--------------------------------|
| Pressure switch for gas and air | GW 3 A2 | 215 230 | 0,4 - 3 | $\leq 0,3$ | X | X | IP 54 | 500 |
| | GW 10 A2 | 215 231 | 1 - 10 | $\leq 0,5$ | X | X | IP 54 | 500 |
| | GW 50 A2 | 215 232 | 2,5 - 50 | ≤ 1 | X | X | IP 54 | 500 |
| | GW 50 A2 | 215 233 | 5 - 50 | ≤ 1 | X | X | IP 54 | 500 |
| | GW 150 A2 | 215 234 | 5 - 150 | ≤ 3 | X | X | IP 54 | 500 |
| | GW 150 A2 | 215 235 | 30 - 150 | ≤ 3 | X | X | IP 54 | 500 |
| | GW 500 A2 | 215 236 | 100 - 500 | ≤ 10 | X | X | IP 54 | 600 |
| | GW 10 A3 | as per Spez. | 1 - 10 | $\leq 1,0$ | X | X | IP 00-54 | 150 |
| | GW 50 A3 | as per Spez. | 2,5 - 50 | $\leq 2,5$ | X | X | IP 00-54 | 150 |
| | GW 100 A3 | as per Spez. | 20 - 100 | $\leq 8,0$ | X | X | IP 00-54 | 150 |
| [AG 3 V12] | GW 3 A5 | 229 250 | 0,7 - 3 | $\leq 0,7$ | X | X | IP 54 | 500 |
| | GW 10 A5 | 225 938 | 2 - 10 | ≤ 1 | X | X | IP 54 | 500 |
| | GW 50 A5 | 225 939 | 5 - 50 | $\leq 2,5$ | X | X | IP 54 | 500 |
| | GW 150 A5 | 225 940 | 10 - 150 | ≤ 5 | X | X | IP 54 | 500 |
| | GW 500 A5 | 227 639 | 100 - 500 | ≤ 15 | X | X | IP 54 | 600 |
| [AG 3 V 2] | GW 500 A5 | 227 639 | 100 - 500 | ≤ 15 | X | X | IP 54 | 600 |
| | GW 500 A4/2237 804 | 100 - 500 | 100 - 500 | ≤ 10 | X | X | IP 65 | 600 |
| [AG M M\$9 V0 VS] | | | | | | | | |



Pressure switch for firing systems

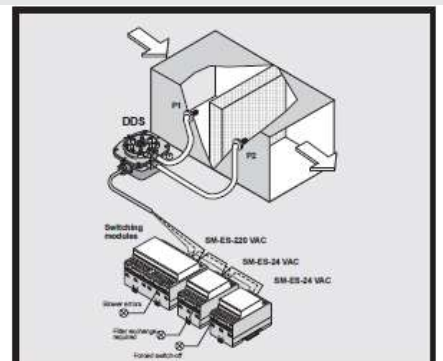
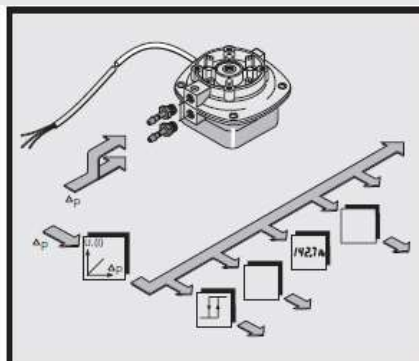
Double pressure switch as per EN 1854 for gases of families 1, 2, 3 and other neutral gaseous media. EU type test approval as per EU Gas Appliance Directive.

| Product | Type | Order No. | Setting ranges [mbar] | Switching difference Δp [mbar] | Air | Gas | Degree of protection | Max. operating pressure [mbar] | | |
|---|---------------|-----------|-----------------------|--|------------|------------|----------------------|--------------------------------|-------|-----|
| Pressure switch for gas and air [AG G3 MS9 V0] | GW 3 A6 | 228 723 | 0,7 - 3 | $\leq 0,7$ | X | X | IP 54 | 500 | | |
| | GW 10 A6 | 228 724 | 2 - 10 | $\leq 1,0$ | X | X | IP 54 | 500 | | |
| | GW 50 A6 | 228 725 | 5 - 50 | $\leq 2,5$ | X | X | IP 54 | 500 | | |
| | GW 150 A6 | 228 726 | 10 - 150 | ≤ 5 | X | X | IP 54 | 500 | | |
| | GW 500 A6 | 228 727 | 100 - 500 | ≤ 15 | X | X | IP 54 | 600 | | |
| Double pressure switch for gas and air [MIN: G3 M9 VS3 VS0] [MAX: G3 MS9 V3 V0] | GW3A6/3A6 | 229 235 | 0,7 - 3 | 0,7- 3 | $\leq 0,7$ | $\leq 0,7$ | X | X | IP 54 | 500 |
| | GW3A6/10A6 | 229 236 | 0,7 - 3 | 2 - 10 | $\leq 0,7$ | $\leq 1,0$ | X | X | IP 54 | 500 |
| | GW10A6/10A6 | 229 237 | 2 - 10 | 2 - 10 | $\leq 1,0$ | $\leq 1,0$ | X | X | IP 54 | 500 |
| | GW10A6/50A6 | 229 238 | 2 - 10 | 5 - 50 | $\leq 1,0$ | $\leq 2,5$ | X | X | IP 54 | 500 |
| | GW10A6/150A6 | 229 239 | 2 - 10 | 10 -150 | $\leq 1,0$ | ≤ 5 | X | X | IP 54 | 500 |
| | GW50A6/50A6 | 229 240 | 5 - 50 | 5 - 50 | $\leq 2,5$ | $\leq 2,5$ | X | X | IP 54 | 500 |
| | GW50A6/150A6 | 229 241 | 5 - 50 | 10 -150 | $\leq 2,5$ | $\leq 5,0$ | X | X | IP 54 | 500 |
| | GW150A6/150A6 | 229 242 | 10 - 150 | 10 -150 | ≤ 5 | ≤ 5 | X | X | IP 54 | 500 |
| GW500A6/500A6 | 229 243 | 100 - 500 | 100-500 | ≤ 15 | ≤ 15 | X | X | IP 54 | 600 | |

Pressure switch for firing systems

Pressure switch as per DIN 3398, DIN EN 3398, Part 3 and DIN EN 1854 for gases of families 1, 2, 3 and other neutral gaseous media. EU type test approval as per EU Gas Appliance Directive.

| Product | Type | Order No. | Setting ranges [mbar] | Switching difference Δp [mbar] | Air | Gas | Degree of protection | Max. operating pressure [mbar] |
|-----------------|--------------|-----------|-----------------------|--|-----|-----|----------------------|--------------------------------|
| Pressure switch | GW 500 A4 | 232 034 | 100 - 500 | ≤ 15 | X | X | IP 54 | 2000 |
| | GW 500 A4/2 | 232 105 | 100 - 500 | ≤ 15 | X | X | IP 65 | 2000 |
| | GW 2000 A4 | 232 037 | 300 - 2000 | ≤ 30 | X | X | IP 54 | 4000 |
| | GW 2000 A4/2 | 232 106 | 300 - 2000 | ≤ 30 | X | X | IP 65 | 4000 |
| | GW 6000 A4 | 232 039 | 1000 - 6000 | ≤ 300 | X | X | IP 54 | 7200 |
| | GW 6000 A4/2 | 232 107 | 1000 - 6000 | ≤ 300 | X | X | IP 65 | 7200 |



Pressure switch for firing systems

Pressure switch as per DIN 3398, Part 1, EN 1854 for gases of families 1, 2, 3 and other neutral gaseous media.
 EU type test approval as per EU Gas Appliance Directive.

| Product | Type | Order No. | Setting ranges[mbar] | Switching difference Δp [mbar] | Air | Gas | Degree of protection | Max. operating pressure [mbar] |
|---|-----------|-----------|----------------------|--|-----|-----|----------------------|--------------------------------|
| Pressure limiter [AG G3 V12] ↓ | NB 50 A2 | 215 237 | 2,5 - 50 | — | X | X | IP 54 | 500 |
| | NB 150 A2 | 215 240 | 30 - 150 | — | X | X | IP 54 | 500 |
| | NB 500 A2 | 215 241 | 100 - 500 | — | X | X | IP 54 | 600 |
| Pressure limiter [AG PG MS9 V0] ↓ | NB 50 A4 | 210 534 | 2,5 - 50 | — | X | X | IP 54 | 500 |
| | NB 150 A4 | 210 931 | 30 - 150 | — | X | X | IP 54 | 500 |
| | NB 500 A4 | 210 971 | 100 - 500 | — | X | X | IP 54 | 600 |
| Pressure limiter [AG G3 V12] ↑ | ÜB 50 A2 | 215 242 | 2,5 - 50 | — | X | X | IP 54 | 500 |
| | ÜB 150 A2 | 215 245 | 30 - 150 | — | X | X | IP 54 | 500 |
| | ÜB 500 A2 | 215 246 | 100 - 500 | — | X | X | IP 54 | 600 |
| Pressure limiter [AG PG MS9 V0] ↑ | ÜB 50 A4 | 210 537 | 2,5 - 50 | — | X | X | IP 54 | 500 |
| | ÜB 150 A4 | 138 630 | 30 - 150 | — | X | X | IP 54 | 500 |
| | ÜB 500 A4 | 210 970 | 100 - 500 | — | X | X | IP 54 | 600 |



Pressure switch for firing systems

Differential pressure switch as per EN 1854 for gases of families 1, 2, 3 and other neutral gaseous media. EU type test approval as per EU Gas Appliance Directive.

| Product | Type | Order No. | Setting ranges [mbar] | Switching difference Δp [mbar] | Air | Gas | Degree of protection | Max. operating pressure [mbar] |
|--|--------------|-----------|-----------------------|--|-----|-----|----------------------|--------------------------------|
| Pressure [AG M MS9 V0 VS3 NH ₃ best.] | GGW 3 A4 | 232 108 | 0,4 - 3 | $\leq 0,3$ | X | X | IP 54 | 500 |
| | GGW 10 A4 | 232 109 | 1 - 10 | $\leq 0,5$ | X | X | IP 54 | 500 |
| | GGW 50 A4 | 232 110 | 2,5 - 50 | ≤ 1 | X | X | IP 54 | 500 |
| | GGW 150 A4 | 232 111 | 30 - 150 | ≤ 3 | X | X | IP 54 | 500 |
| Vacuum [AG M MS9 V0 VS3 NH ₃ best.] | GGW3 A4-U | 232 991 | -0,4 - -3 | $\leq 0,3$ | X | X | IP 54 | -500 |
| | GGW 10 A4-U | 232 992 | -1 - -10 | $\leq 0,5$ | X | X | IP 54 | -500 |
| | GGW50 A4-U | 232 993 | -2,5 - -50 | ≤ 1 | X | X | IP 54 | -500 |
| | GGW 150 A4-U | 232 994 | -30 - -150 | ≤ 3 | X | X | IP 54 | -500 |



LGW A1



LGW C2



LGW C3

Differential pressure switches for air, flue and exhaust gases in firing systems
 Differential pressure switches per DIN 3398 Part 2; LGW A4 DIN EN 1854
 EU type test approval as per EU Gas Appliance Directive.

| Product | Type | Order No. | Setting ranges [mbar] | Switching difference Δp [mbar] | Air | Gas | Degree of protection | Max. operating pressure [mbar] |
|---|--------------|--------------|-----------------------|--|-----|-----|----------------------|--------------------------------|
| Differential pressure switch for air | LGW 3 A1 | as per Spez. | 0,4 - 3 | $\leq 0,35$ | X | — | | 100 |
| | LGW 10 A1 | as per Spez. | 1 - 10 | $\leq 0,5$ | X | — | | 100 |
| | LGW 50 A1 | as per Spez. | 2,5 - 50 | ≤ 1 | X | — | | 100 |
| [AG PG V9] | LGW 3 A2 | 107 409 | 0,4 - 3 | $\leq 0,35$ | X | — | | 500 |
| | LGW 10 A2 | 107 417 | 1 - 10 | $\leq 0,5$ | X | — | | 500 |
| | LGW 50 A2 | 107 425 | 2,5 - 50 | ≤ 1 | X | — | | 500 |
| | LGW 150 A2 | 107 433 | 30 - 150 | ≤ 3 | X | — | | 500 |
| [AG PG V9] | LGW 3 A2P | 120 204 | 0,4 - 3 | $\leq 0,35$ | X | — | | 500 |
| | LGW 10 A2P | 120 212 | 1 - 10 | $\leq 0,5$ | X | — | | 500 |
| | LGW 50 A2P | 120 220 | 2,5 - 50 | ≤ 1 | X | — | | 500 |
| | LGW150 A2P | 120 238 | 30 - 150 | ≤ 3 | X | — | | 500 |
| [AG PG MS9 VS3 V0] | LGW 3 A4 | 221 590 | 0,4 - 3 | $\leq 0,3$ | X | X** | | 500 |
| | LGW 10 A4 | 221 591 | 1 - 10 | $\leq 0,5$ | X | X** | | 500 |
| | LGW 50 A4 | 221 592 | 2,5 - 50 | ≤ 1 | X | X** | | 500 |
| | LGW 150 A4 | 221 593 | 30 - 150 | ≤ 3 | X | X** | | 500 |
| [AG PG V3] | LGW 1,5 C2 | 212 200 | 0,2 - 1,5 | $\leq 0,2$ | X | — | | 50 |
| | LGW 3 C2 | 212 571 | 0,4 - 3 | $\leq 0,3$ | X | — | | 50 |
| | LGW 10 C2 | 212 572 | 1 - 10 | $\leq 0,5$ | X | — | | 50 |
| | LGW 1,5 C3 | as per Spez. | 0,2 - 1,5 | $\leq 0,07-0,3$ | X | — | | 50 |
| | LGW 3 C3 | as per Spez. | 0,4 - 3 | $\leq 0,12-0,4$ | X | — | | 50 |
| | LGW 10 C3 | as per Spez. | 1 - 10 | $\leq 0,20-0,6$ | X | — | | 50 |
| [AG M MS9 V0] | LGW 3 A4/2 | 232 041 | 0,4 - 3 | $\leq 0,3$ | X | X** | | 500 |
| | LGW 10 A4/2 | 232 046 | 1 - 10 | $\leq 0,5$ | X | X** | | 500 |
| | LGW 50 A4/2 | 232 048 | 2,5 - 50 | ≤ 1 | X | X** | | 500 |
| | LGW 150 A4/2 | 232 050 | 30 - 150 | ≤ 3 | X | X** | | 500 |

* optionally IP 42 or IP 20. Pressure switch with IP 10 or IP 20 must be installed so that degree of protection IP 44 is ensured during operation.

** applies only to connection to G 1/4, lower pressure chamber

Pressure switch for ventilation and air-conditioning systems
Differential pressure switch for air
DUNGS Klima-Set with complete mounting kit

| Product | Type | Order No. | Setting ranges [Pa] | Switching difference Δp [Pa] | Air | Gas | Degree of protection | Max. operating pressure [kPa] |
|------------------|-------------|-----------|---------------------|--------------------------------------|-----|-----|----------------------|-------------------------------|
| Klima-Set | KS 150 C2 | 217 773 | ↓ □ 20 - 150 | ≤ 18 | X | — | IP 54 | 5 |
| | KS 300/1 C2 | 224 390 | ↓ □ 20 - 300 | ≤ 20 | X | — | IP 54 | 5 |
| | KS 300 C2 | 217 774 | ↑ □ 40 - 300 | ≤ 20 | X | — | IP 54 | 5 |
| | KS 500 C2 | 226 885 | ↑ □ 30 - 500 | ≤ 25 | X | — | IP 54 | 5 |
| | KS 600 C2 | 217 775 | ↑ □ 70 - 600 | ≤ 30 | X | — | IP 54 | 5 |
| | KS 1000 C2 | 217 776 | ↑ □ 100 - 1000 | ≤ 40 | X | — | IP 54 | 5 |
| | KS 3000 C2 | 217 777 | ↑ □ 250 - 3000 | ≤ 80 | X | — | IP 54 | 5 |



Centrifugal switch
Air supply loss protection for forced-air burner and ventilator motors as per DIN 32 726
DIN-tested and registered to DIN-DVGW

| Product | Type | Order No. | Degree of protection | Speeds | Electrical data |
|---------------------------|----------|-----------|----------------------|--|---|
| Centrifugal switch | FW 100/2 | 210 312 | IP 44 | Switch-on speed (as speed increases), DIN 32 726: $n \leq 2565 \text{ rpm}^{-1}$ | Voltage: 220 VAC Nominal current: 5 A (ohmic load) |
| | FW 100/2 | 211 523 | IP 54 | Switch-off speed (as speed decreases), DIN 32 726: $n \geq 2160 \text{ rpm}^{-1}$ Special speeds on request Range: 800 - 4000 rpm | |



**Pressure switches for gas and air
 Pressure sensors Typeplat**

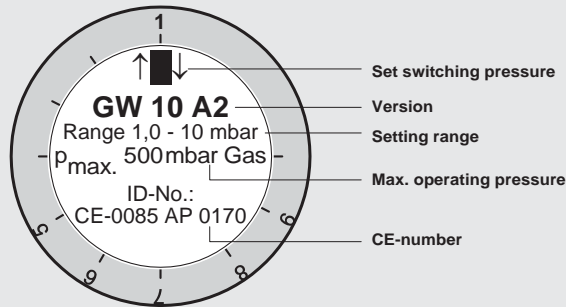


Gas pressure typeplate

All the information is indicated on the pressure switch setting wheel.

The setting wheel for **gas pressure switches** is always **yellow**.

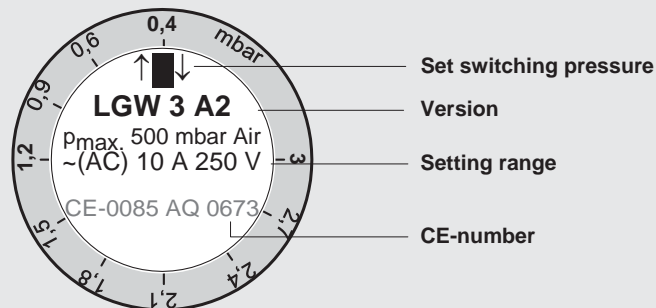
Types: GW...A2, GW...A4, GW...A5, GW...A6, ÜB...A2, ÜB...A4, NB...A2, NB...A4



Typeplate for differential pressure switches for gases and/or air

The setting wheel for **gas pressure switches** is **yellow**. It is always **blue** for differential pressure switches for **air**.

Types: LGW, LGW...A2, LGW...A2P, LGW...A4, LGW...C2, KS...C2



Differential pressure switches for air, flue and exhaust gases

The LGW...A1 differential pressure switch is only manufactured to customer-specific switching values.

Each differential pressure switch therefore has an individual typeplate. The typeplate is affixed to the equipment.

