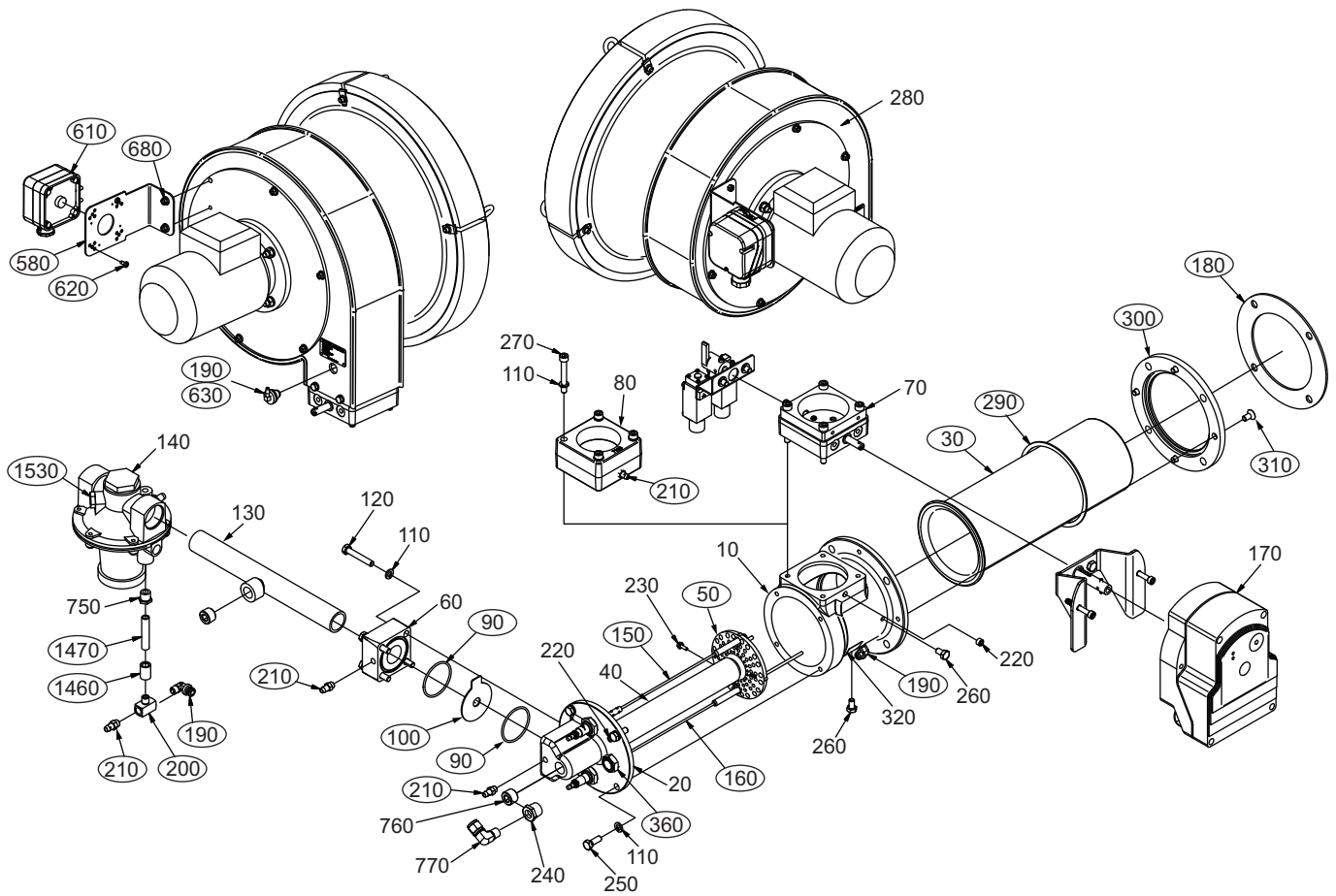


Eclipse RatioMatic Burners

Model RM0100

Spare Parts List Edition 08.15

Version 6



○ - Typical Spare Part, for all other items please contact Eclipse.

Ref	Part Number	Description
30	20463	Ceramic Combustor
30	20400	Alloy Combustor (362mm)
30	20400-1	Alloy Combustor (438mm)
30	20400-4	Alloy Combustor (286mm)
50	10025188	Nozzle, Natural Gas
50	10025189	Nozzle, Propane/Butane
90	17037	O-Ring for Fuel Orifice Plate
100	14934-21	Natural Gas Orifice Plate (22mm)
100	101028125	Propane Orifice Plate (17.5mm)
100	14934-27	Butane Orifice Plate (15.5mm)
140	KS03155140	Ratio Regulator (1" NPT)

Ref	Part Number	Description
140	KS03155134	Ratio Regulator (1" BSP)
150	100049-1	Igniter (237mm)
150	100049-2	Igniter (313mm)
150	100049-3	Igniter (389mm)
160	100050-1	Flamerod (237mm)
160	100050-2	Flamerod (313mm)
160	100050-3	Flamerod (389mm)
180	20422	Burner to Furnace Wall Mounting Gasket

(Continued to next page)

Ref	Part Number	Description
190	1494	Elbow Fitting for Braided Stainless Steel Impulse Line and Air Switch Line
190	14689	Elbow Fitting for Plastic Impulse Line
190	17149	Straight Fitting for Stainless Steel Tubing Pre-Mix Line
190	20100	Elbow Fitting for Stainless Steel Tubing Pre-Mix Line
190	22085	Elbow Fitting for Stainless Steel Tubing Impulse Line
190	22210	Straight Fitting for Stainless Steel Tubing Impulse Line
200	20682	Tee Fitting Impulse Line (Brass)
210	13445	Pressure Tap
290	10005080	Silicon Carbide Combustor Retainer Gasket
300	20464	Silicon Carbide Combustor Retainer Tube
310	10001	Combustor Guide Screw
360	11737	Peepsight
490	00.4095056.40	Actuator Coupling, Trilogy, Siemens
490	101027499	Actuator Coupling, IC20
490	10054035	Actuator Coupling, Honeywell
630	20606	Grommet for Plastic Air Switch Line
1530	KS74919806	Bypass Screw, GIK 15-25
N/S	015991-02	Braided Stainless Steel Impulse Line (610mm)
N/S	30027	Stainless Steel Tubing Impulse Line
N/S	34505	Plastic Impulse Line
N/S	015991-18	Braided Stainless Steel Air Switch Line (760mm)
N/S	34505	Plastic Air Pressure Switch Line
N/S	36881	Stainless Steel Tubing Pre-Mix Line (0.375" OD x 0.065" Wall)

Ref	Part Number	Description
N/S	30027	Stainless Steel Tubing Pre-Mix Line (0.25" OD X 0.035" Thick Wall)
N/S	37140	Copper Tubing Pre-Mix Line
N/S	11132	Filter Element (Round, 16" Diameter)
N/S	10061989	Kit, Mounting, Actuator Size 3 SQM5
N/S	10061981	Kit, Mounting, Actuator Size 3 Honeywell