



บริษัท เอดีดี เฟอร์เนส จำกัด

ADD FURNACE CO.,LTD.

44 ซอยบรมราชชนนี 70 ถนนบรมราชชนนี แขวงศาลาธรรมสพน์ เขตทวีวัฒนา กรุงเทพฯ 10170

โทร: 02-888-3472 โทร: ออกแบบ:08-08-170-170 แฟกซ์: 02-888-3258

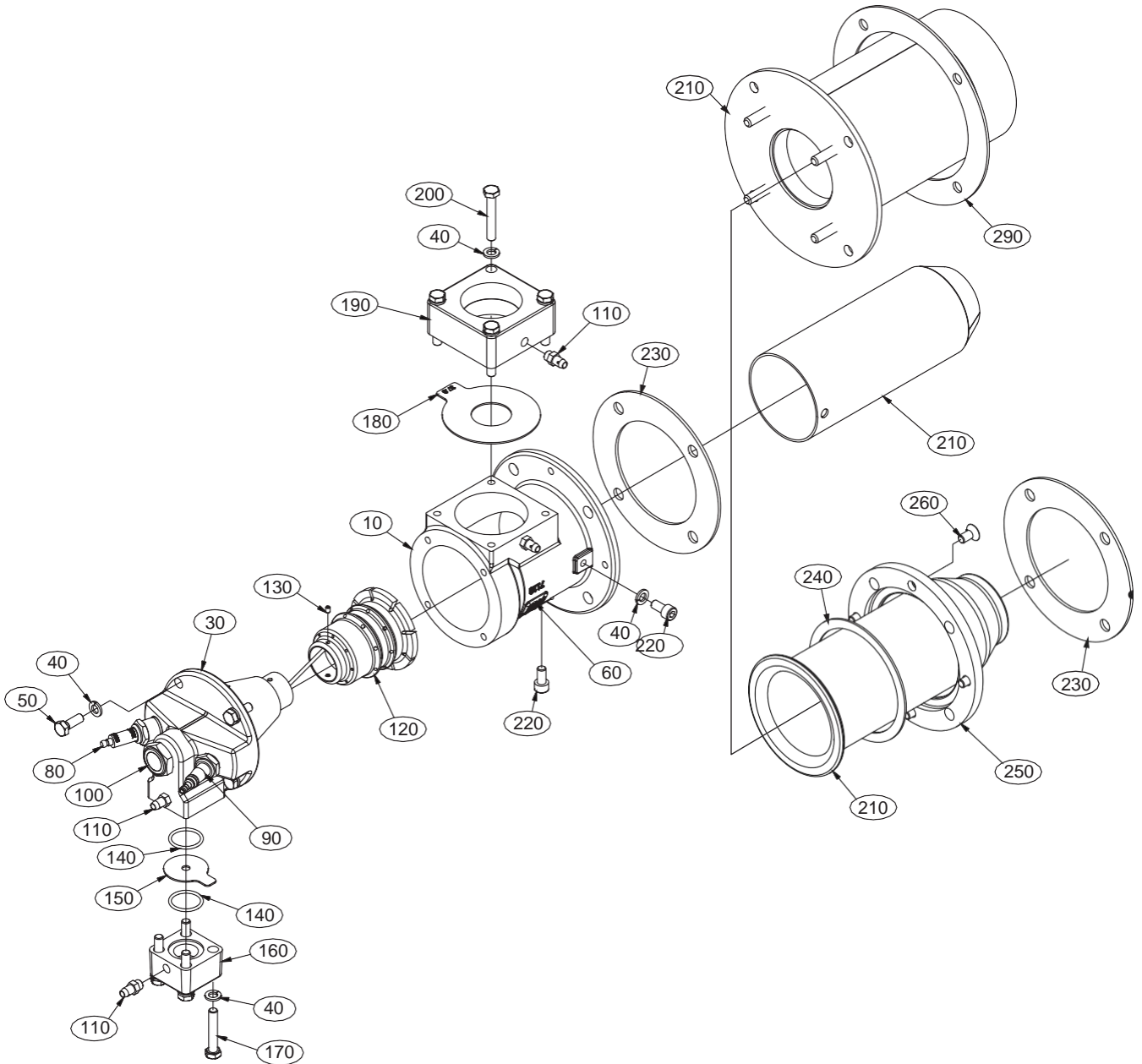
<https://www.add-furnace.com> E-mail: sales@add-furnace.com

Eclipse ThermJet Burners

Model TJ0040

Spare Parts List Edition 5.16

Version 2



elster
Thermal Solutions



บริษัท เอดีดี เฟอร์เนส จำกัด

ADD FURNACE CO.,LTD.

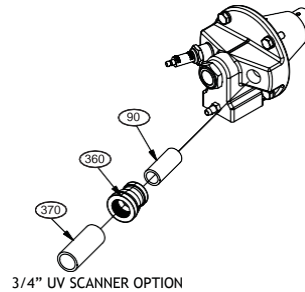
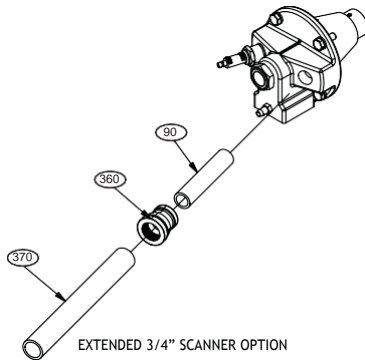
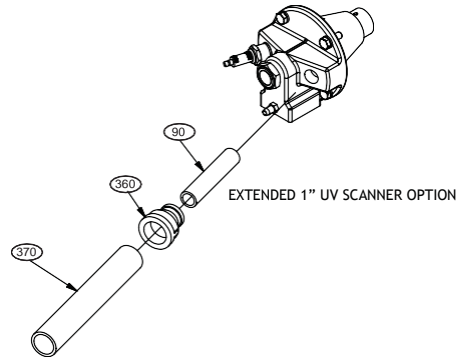
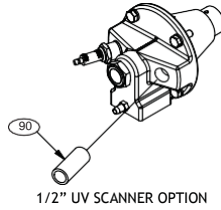
44 ซอยบรมราชชนนี 70 ถนนบรมราชชนนี แขวงศาลาธรรมสพน์ เขตทวีวัฒนา กรุงเทพฯ 10170

โทร: 02-888-3472 โทร: ออกแบบ:08-08-170-170 แฟกซ์: 02-888-3258

https://www.add-furnace.com E-mail: sales@add-furnace.com

ThermJet TJ0040, V2, Spare Parts List, Edition 5.16

ECLIPSE



| Ref | Part Number | Description |
|-----|-------------|-------------------------------------|
| 80 | 23045 | Spark Plug |
| 90 | 10002242-1 | Flamerod |
| 90 | 18727 | UV Scanner Adapter (Extended) |
| 90 | 18720 | UV Scanner Adapter |
| 100 | 10509 | Peepsight |
| 110 | 13445 | Pressure Tap |
| 120 | 7033-3 | Nozzle, Cast Iron |
| 120 | 7125-2 | Nozzle, Stainless Steel |
| 120 | 10026921 | Nozzle for Flamerod, Cast Iron |
| 120 | 10026928 | Nozzle for Flamerod, Stainless |
| 130 | 19969 | Set Screw M4 x 6 |
| 130 | 10024662 | Stainless Set Screw |
| 140 | 14777 | O-ring |
| 150 | 14191-6 | Orifice Plate, Natural Gas, 10.8 mm |
| 150 | 14191-8 | Orifice Plate, Propane, 9.1 mm |
| 150 | 14191-8 | Orifice Plate, Butane, 9.1 mm |
| 180 | 14188-5 | Orifice Plate, Air, 37.0 mm |
| 210 | 17046-3 | Combustor, SiC HV |
| 210 | 17046-4 | Combustor, SiC MV |
| 210 | 10042605 | Block and Holder, HV |
| 210 | 10042606 | Block and Holder, MV |
| 210 | 108715-3 | Combustor, Alloy HV |
| 210 | 108715-4 | Combustor, Alloy MV |
| 220 | 16022 | Screw M8 x 16 |
| 230 | 17054 | Gasket, Mounting |
| 240 | 19971 | Silicon Carbide Gasket |

| Ref | Part Number | Description |
|-----|-------------|--------------------------------------|
| 250 | 19970 | Retaining Ring, SiC |
| 260 | 10001 | Screw FH M8 x 16mm |
| 270 | 15890 | Block and Holder M10 lock washer |
| 280 | 15889 | Block and Holder M10 nut |
| 290 | 14932 | Gasket Block and Holder to Chamber |
| 360 | 19307 | UV scanner Coupling 3/4" NPT |
| 360 | 112REB | UV Scanner Coupling 1" NPT |
| 370 | 18742 | UV Scanner Adapter 3/4" NPT |
| 370 | 20466 | UV Scanner Adapter 3/4" NPT Extended |
| 370 | 19546 | UV Scanner Adapter 1" NPT |

Note: If replacing the flame tube or combustion block (210), it is also recommended to replace the nozzle (120) at the same time.