



FUEL SHUT-OFF DEVICES CHAPTER 1.2

1

FGDR

Aluminium pressure regulator with built-in filter, to EN 88-1. Max. inlet pressure 500 mbar. Max. outlet pressure 350 mbar. Closure control. Suitable for manufactured gas, natural gas, liquefied petroleum gas (LPG), non-aggressive gas and air. Operating temperature range: -15÷+60°C

Type	Part Number	Conne- tion	Description	Q.ty/Box	Box/ Carton
FGDR15	09.0220.101	1/2"	With neutral spring10 - 30 mbar	1	1
FGDR15	09.0220.102	1/2"	With green spring 5 - 15 mbar	1	1
FGDR15	09.0220.103	1/2"	With violet spring 25 - 80 mbar	1	1
FGDR15	09.0220.104	1/2"	With brown spring 70 - 160 mbar	1	1
FGDR15	09.0220.105	1/2"	With blue spring 150 - 280 mbar	1	1
FGDR15	09.0220.106	1/2"	With white spring 270 - 350 mbar	1	1
FGDR20	009.0221.101	3/4"	With neutral spring10 - 30 mbar	1	1
FGDR20	009.0221.102	3/4"	With green spring 5 - 15 mbar	1	1
FGDR20	009.0221.103	3/4"	With violet spring 25 - 80 mbar	1	1
FGDR20	009.0221.104	3/4"	With brown spring 70 - 160 mbar	1	1
FGDR20	009.0221.105	3/4"	With blue spring 150 - 280 mbar	1	1
FGDR20	009.0221.106	3/4"	With white spring 270 - 350 mbar	1	1
FGDR25	009.0222.101	1"	With neutral spring 10 - 30 mbar	1	1
FGDR25	009.0222.102	1"	With green spring 5 - 15 mbar	1	1
FGDR25	009.0222.103	1"	With violet spring 25 - 80 mbar	1	1
FGDR25	009.0222.104	1"	With brown spring 70 - 160 mbar	1	1
FGDR25	009.0222.105	1"	With blue spring 150 - 280 mbar	1	1
FGDR25	009.0222.106	1"	With white spring 270 - 350 mbar	1	1
FGDR32	009.0223.101	1.1/4"	With neutral spring 10 - 25 mbar	1	1
FGDR32	009.0223.102	1.1/4"	With green spring 5 - 15 mbar	1	1
FGDR32	009.0223.103	1.1/4"	With violet spring 20 - 70 mbar	1	1
FGDR32	009.0223.104	1.1/4"	With brown spring 65 - 130 mbar	1	1
FGDR32	009.0223.105	1.1/4"	With white spring 120 - 250 mbar	1	1
FGDR32	009.0223.106	1.1/4"	With neutral spring 10 - 25 mbar	1	1
FGDR40	009.0224.101	1.1/2"	With black spring 240 - 350 mba	1	1
FGDR40	009.0224.102	1.1/2"	With neutral spring 10 - 25 mbar	1	1
FGDR40	009.0224.103	1.1/2"	With green spring 5 - 15 mbar	1	1
FGDR40	009.0224.104	1.1/2"	With violet spring 20 - 70 mbar	1	1
FGDR40	009.0224.105	1.1/2"	With brown spring 65 - 130 mbar	1	1
FGDR40	009.0224.106	1.1/2"	With white spring 120 - 250 mbar	1	1
FGDR50/40	009.0234.101	2"	With black spring 240 - 350 mbar	1	1
FGDR50/40	009.0234.102	2"	With neutral spring 10 - 25 mbar	1	1
FGDR50/40	009.0234.103	2"	With green spring 5 - 15 mbar	1	1
FGDR50/40	009.0234.104	2"	With violet spring 20 - 70 mbar	1	1
FGDR50/40	009.0234.105	2"	With brown spring 65 - 130 mbar	1	1
FGDR50/40	009.0234.106	2"	With white spring 120 - 250 mbar	1	1
FGDR50	009.0225.101	2"	With black spring 240 - 350 mbar	1	1
FGDR50	009.0225.102	2"	With neutral spring 10 - 35 mbar	1	1
FGDR50	009.0225.103	2"	With green spring 5 - 15 mbar	1	1
FGDR50	009.0225.104	2"	With violet speing 30 - 80 mbar	1	1
FGDR50	009.0225.105	2"	With brown spring 70 - 220 mbar	1	1
FGDR50	009.0225.106	2"	With blue spring 210 - 350 mbar	1	1



บริษัท เอดีดี เฟอร์เนส จำกัด

ADD FURNACE CO.,LTD.

44 ซอยบรมราชชนนี 70 ถนนบรมราชชนนี แขวงศาลาธรรมสพน์ เขตทวีวัฒนา กรุงเทพฯ 10170

โทร: 02-888-3472 โทร: ออกรับ: 08-08-170-170 แฟกซ์: 02-888-3258

<https://www.add-furnace.com> E-mail: sales@add-furnace.com

FSDR

Flanged aluminium pressure regulator with built-in filter, to EN 88-1. Max. inlet pressure 500 mbar. Max. outlet pressure 350 mbar. Closure control. Suitable for manufactured gas, natural gas, liquefied petroleum gas (LPG), non-aggressive gas and air. Operating temperature range: -10÷60°C.

Type	Part Number	Connec-tion	Description	Q.ty/Box	Box/ Carton
FSDR65	009.0226.201	DN 65	With neutral spring 10-30 mbar	1	1
FSDR65	009.0226.203	DN 65	With red spring 25-80 mbar	1	1
FSDR65	009.0226.204	DN 65	With violet spring 60-120 mbar	1	1
FSDR65	009.0226.206	DN 65	With blue spring 100-220 mbar	1	1
FSDR65	009.0226.207	DN 65	With white spring 200- 350 mba	1	1
FSDR80	009.0227.201	DN 80	With neutral spring 10-30 mbar	1	1
FSDR80	009.0227.203	DN 80	With red spring 25-80 mbar	1	1
FSDR80	009.0227.204	DN 80	With violet spring 60-120 mbar	1	1
FSDR80	009.0227.206	DN 80	With blue spring 100-220 mbar	1	1
FSDR80	009.0227.207	DN 80	With white spring 200- 350 mbar	1	1



FS1B

Flanged aluminium pressure regulator with built-in filter, to EN 88-1. Max. inlet pressure 1 bar. Max. outlet pressure 450 mbar. Closure control. Suitable for manufactured gas, natural gas, liquefied petroleum gas (LPG), non-aggressive gas and air. Operating temperature range: -10÷60°C.

Type	Part Number	Connec-tion	Description	Q.ty/Box	Box/ Carton
FS1B65	009.0256.201	DN 65	With neutral spring 10-30 mbar	1	1
FS1B65	009.0256.203	DN 65	With red spring 25-80 mbar	1	1
FS1B65	009.0256.204	DN 65	With violet spring 60-120 mbar	1	1
FS1B65	009.0256.206	DN 65	With blue spring 100-220 mbar	1	1
FS1B65	009.0256.207	DN 65	With white spring 200- 450 mbar	1	1
FS1B80	009.0257.201	DN 80	With neutral spring 10-30 mbar	1	1
FS1B80	009.0257.203	DN 80	With red spring 25-80 mbar	1	1
FS1B80	009.0257.204	DN 80	With violet spring 60-120 mbar	1	1
FS1B80	009.0257.206	DN 80	With blue spring 100-220 mbar	1	1
FS1B80	009.0257.207	DN 80	With white spring 200- 450 mbar	1	1

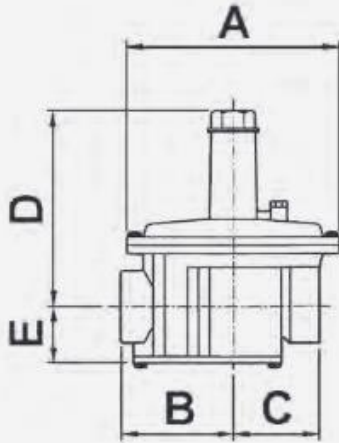




CHAPTER 1.2 DEVICES FOR GAS

OVERALL DIMENSIONS

FG



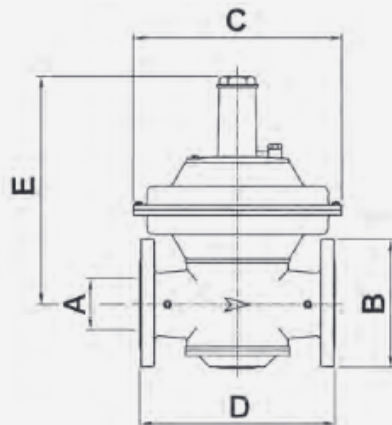
TECHNICAL NOTE

Measurement E must be increased by approximately 400 mm to facilitate filter cleaning and inspection.

FG.50/40: model with 2" threaded connections but with the overall dimensions of the 1 1/2" model (FG..40).

Model	Connections	A	B	C	D	E
FG..15	Rp 1/2" UNI-ISO 7/1					
FG..20	Rp 3/4" UNI-ISO 7/1	146	73	58	137	42
FG..25	Rp 1" UNI-ISO 7/1					
FG..32	Rp 1 1/4" UNI-ISO 7/1					
FG..40	Rp 1 1/2" UNI-ISO 7/1	194	98	80	175	52
FG..50/40	Rp 2" UNI-ISO 7/1					
FG..50	Rp 2" UNI-ISO 7/1	260	135	90	250	65

FS1B - ST1B



TECHNICAL NOTE

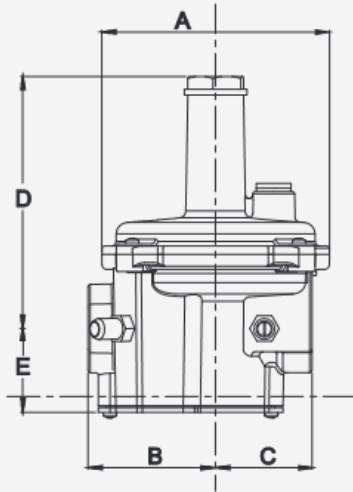
For the FS1B series (with built-in filter unit) the measurement "E" must be increased by approximately 400 mm to facilitate cleaning and inspection of the filter.

Model	Connections	A	B	C	D	E
FS1B65	DN 65 PN16 EN 1092-4	85	185	320	300	340
FS1B80	DN 80 PN16 EN 1092-4	85	200	320	300	340
ST1B65	DN 65 PN16 EN 1092-4	85	185	320	300	340
ST1B80	DN 80 PN16 EN 1092-4	85	200	320	300	340
ST1B100	DN100 PN16 EN 1092-4	100	220	370	360	410



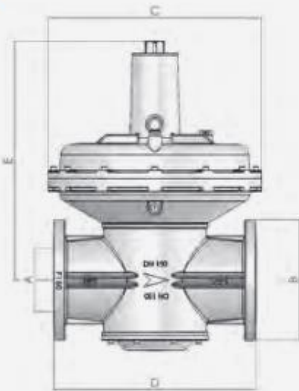
OVERALL DIMENSIONS

FGDR/COM



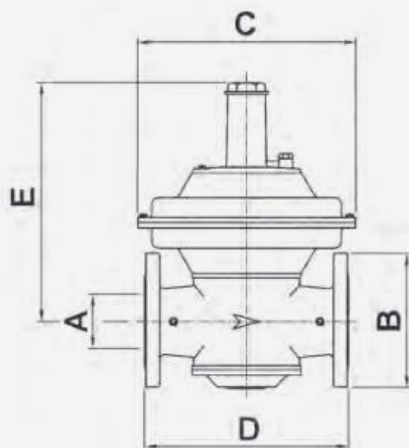
Model	Connections	A	B	C	D	E
FGDR/COM15	Rp 1/2" UNI ISO 7/1	98	55	41.5	108.5	35.5
FGDR/COM20	Rp 3/4" UNI ISO 7/1	98	55	41.5	108.5	35.5

STR - ST1B



Model	Connections	A	B	C	D	E
ST1B125-STR125	DN 125 PN16 EN 1092-4	125	250	505	480	565
ST1B150-STR150	DN 150 PN16 EN 1092-4	150	288	505	480	565

FSDR - STR



TECHNICAL NOTE

For the FSDR series (with built-in filter unit) measurement "E" must be increased by approximately 400 mm to facilitate filter cleaning and inspection.

Model	Connections	A	B	C	D	E
FSDR65	DN 65 Pn16 EN 1092-4	85	185	320	300	340
FSDR80	DN 80 Pn16 EN 1092-4	85	200	320	300	340
STR65	DN 65 Pn16 EN 1092-4	85	185	320	300	340
STR80	DN 80 Pn16 EN 1092-4	85	200	320	300	340
STR100	DN100 Pn16 En 1092-4	100	220	370	360	410