



บริษัท เอดีดี เฟอร์เนส จำกัด

**ADD FURNACE CO.,LTD.**

44 ซอยบรมราชชนนี 70 ถนนบรมราชชนนี แขวงศาลาธรรมสพน์ เขตทวีวัฒนา กรุงเทพฯ 10170

โทร: 02-888-3472 โทร: ออกแบบ:08-08-170-170 แฟกซ์: 02-888-3258

<https://www.add-furnace.com> E-mail: [sales@add-furnace.com](mailto:sales@add-furnace.com)

## STR

Flanged aluminium pressure regulator to EN 88-1. Max. inlet pressure 500 mbar. Max. outlet pressure 350 mbar, 200 mbar for STR DN 125-150. Closure control. Suitable for manufactured gas, natural gas, liquefied petroleum gas (LPG), non-aggressive gas and air. Operating temperature range: -15÷60°C.



Type	Part Number	Conne- tion	Description	Q.ty/ Box	Box/ Carton
STR65	009.0240.201	DN 65	With neutral spring 10-30 mbar	1	1
STR65	009.0240.203	DN 65	With red spring 25-80 mbar	1	1
STR65	009.0240.204	DN 65	With violet spring 60-120 mbar	1	1
STR65	009.0240.206	DN 65	With blue spring 100-220 mbar	1	1
STR65	009.0240.207	DN 65	With white spring 200- 350 mbar	1	1
STR80	009.0241.201	DN 80	With neutral spring 10-30 mbar	1	1
STR80	009.0241.203	DN 80	With red spring 25-80 mbar	1	1
STR80	009.0241.204	DN 80	With violet spring 60-120 mbar	1	1
STR80	009.0241.206	DN 80	With blue spring 100-220 mbar	1	1
STR80	009.0241.207	DN 80	With white spring 200- 350 mbar	1	1
STR100	009.0242.201	DN 100	With neutral spring 10-40 mbar	1	1
STR100	009.0242.203	DN 100	With red spring 30-70 mbar	1	1
STR100	009.0242.204	DN 100	With violet spring 60-110 mbar	1	1
STR100	009.0242.205	DN 100	With brown spring 100-210 mbar	1	1
STR100	009.0242.207	DN 100	With white spring 200-350 mbar	1	1
STR125	009.0243.001	DN 125	With neutral spring 10-30 mbar	1	1
STR125	009.0243.003	DN 125	With red spring 25-75 mbar	1	1
STR125	009.0243.005	DN 125	With brown spring 70-120 mbar	1	1
STR125	009.0243.007	DN 125	With white spring 110-170 mbar	1	1
STR125	009.0243.006	DN 125	With black spring 140-200 mbar	1	1
STR150	009.0244.001	DN 150	With neutral spring 10-30 mbar	1	1
STR150	009.0244.003	DN 150	With red spring 25-75 mbar	1	1
STR150	009.0244.005	DN 150	With brown spring 70-120 mbar	1	1
STR150	009.0244.007	DN 150	With white spring 110-170 mbar	1	1
STR150	009.0244.006	DN 150	With black spring 140-200 mbar	1	1



บริษัท เอดีดี เฟอร์เนส จำกัด

**ADD FURNACE CO.,LTD.**

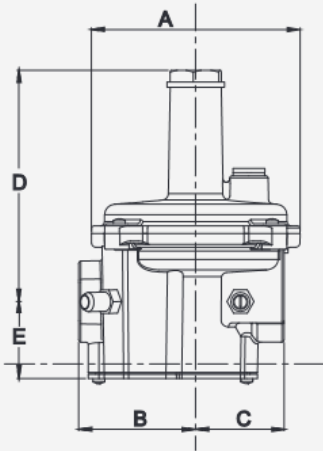
44 ซอยบรมราชชนนี 70 ถนนบรมราชชนนี แขวงศาลาธรรมสพน์ เขตทวีวัฒนา กรุงเทพฯ 10170

โทร: 02-888-3472 โทร: ออกแบบ:08-08-170-170 แฟกซ์: 02-888-3258

https://www.add-furnace.com E-mail: [sales@add-furnace.com](mailto:sales@add-furnace.com)

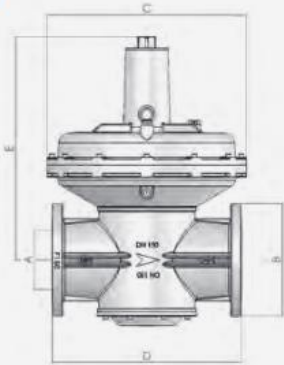
**OVERALL DIMENSIONS**

**FGDR/COM**



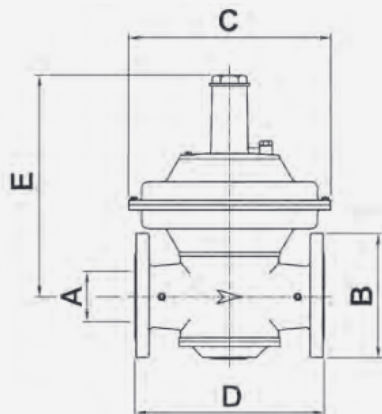
Model	Connections	A	B	C	D	E
FGDR/COM15	Rp 1/2" UNI ISO 7/1	98	55	41.5	108.5	35.5
FGDR/COM20	Rp 3/4" UNI ISO 7/1	98	55	41.5	108.5	35.5

**STR - ST1B**



Model	Connections	A	B	C	D	E
ST1B125-STR125	DN 125 PN16 EN 1092-4	125	250	505	480	565
ST1B150-STR150	DN 150 PN16 EN 1092-4	150	288	505	480	565

**FSDR - STR**



**TECHNICAL NOTE**

For the FSDR series (with built-in filter unit) measurement "E" must be increased by approximately 400 mm to facilitate filter cleaning and inspection.

Model	Connections	A	B	C	D	E
FSDR65	DN 65 Pn16 EN 1092-4	85	185	320	300	340
FSDR80	DN 80 Pn16 EN 1092-4	85	200	320	300	340
STR65	DN 65 Pn16 EN 1092-4	85	185	320	300	340
STR80	DN 80 Pn16 EN 1092-4	85	200	320	300	340
STR100	DN100 Pn16 En 1092-4	100	220	370	360	410

