



# SIEMENS

## Data sheet

## 3SE5112-0CH01

SIRIUS POSITION SWITCH METAL HOUSING 40MM TO EN50041  
DEVICE CONNECTION 1X (M20X1,5) 1NO/ 1NC SNAP-ACTION  
CONTACTS ROTARY ACTUATOR RIGHT/LEFT ADJUSTABLE,  
METAL LEVER 27MM LONG AND PLASTIC ROLLER 19MM



Figure similar

<b>Product designation</b>	standard position switch
<b>Manufacturer's article number</b>	
<ul style="list-style-type: none"> <li>• of the supplied basic switch</li> <li>• of the supplied actuator head for position switches</li> <li>• of the supplied operating lever</li> <li>• of the supplied switching contacts</li> <li>• of the supplied empty enclosure with cover</li> </ul>	<a href="#">3SE5112-0CA00</a> <a href="#">3SE5000-0AH00</a> <a href="#">3SE5000-0AA01</a> <a href="#">3SE5000-0CA00</a> <a href="#">3SE5112-0AA00</a>

<b>Product function</b>	Yes
<b>Insulation voltage</b>	400 V
<b>Surge voltage resistance rated value</b>	6 kV
<b>Protection class IP</b>	IP66/IP67
<b>Degree of pollution</b>	class 3
<b>Shock resistance</b>	30 g / 11 ms
<b>Vibration resistance</b>	

### General technical data:

<b>Product function</b>	Yes
<ul style="list-style-type: none"> <li>• positive opening</li> </ul>	
<b>Insulation voltage</b>	400 V
<ul style="list-style-type: none"> <li>• rated value</li> </ul>	
<b>Surge voltage resistance rated value</b>	6 kV
<b>Protection class IP</b>	IP66/IP67
<b>Degree of pollution</b>	class 3
<b>Shock resistance</b>	30 g / 11 ms
<ul style="list-style-type: none"> <li>• acc. to IEC 60068-2-27</li> </ul>	
<b>Vibration resistance</b>	



• acc. to IEC 60068-2-6	0.35 mm/5g
<b>Mechanical service life (switching cycles)</b>	
• typical	15 000 000
<b>Electrical endurance (switching cycles)</b>	
• at AC-15 at 230 V typical	100 000
<b>Electrical endurance (switching cycles) with contactor 3RH11, 3RT1016, 3RT1017, 3RT1024, 3RT1025, 3RT1026 typical</b>	10 000 000
<b>Electrical operating cycles in one hour with contactor 3RH11, 3RT1016, 3RT1017, 3RT1024, 3RT1025, 3RT1026</b>	6 000
<b>Thermal current</b>	6 A
<b>Equipment marking</b>	
• acc. to DIN EN 61346-2	B
• acc. to DIN EN 81346-2	B
<b>Continuous current of the C characteristic MCB</b>	1 A; for a short-circuit current smaller than 400 A
<b>Continuous current of the quick DIAZED fuse link</b>	10 A; for a short-circuit current smaller than 400 A
<b>Continuous current of the DIAZED fuse link gG</b>	6 A
<b>Active principle</b>	mechanical
<b>Repeat accuracy</b>	0.05 mm
<b>Minimum actuating torque in activation direction</b>	0.25 N·m
<b>Operating current at AC-15</b>	
• at 24 V rated value	6 A
• at 125 V rated value	6 A
• at 230 V rated value	6 A
• at 400 V rated value	4 A
<b>Operating current at DC-13</b>	
• at 24 V rated value	3 A
• at 125 V rated value	0.55 A
• at 230 V rated value	0.27 A
• at 400 V rated value	0.1 A

**Enclosure:**

<b>Design of the housing</b>	block, narrow
<b>Material of the enclosure</b>	metal
<b>Coating of the enclosure</b>	cathodic immersion coating
<b>Design of the housing acc. to standard</b>	Yes

**Drive Head:**

<b>Standard-compliant actuator head</b>	EN 50041, design A
<b>Shape of the switch head</b>	roller
<b>Design of the switching function</b>	positive opening

**Connections/ Terminals:**

<b>Type of electrical connection</b>	screw-type terminals
--------------------------------------	----------------------



บริษัท เอดีดี เฟอร์เนส จำกัด

ADD FURNACE CO.,LTD.

44 ซอยบรมราชชนนี 70 ถนนบรมราชชนนี แขวงศาลาธรรมสพน์ เขตทวีวัฒนา กรุงเทพฯ 10170

โทร: 02-888-3472 โทร: ออกแบบ:08-08-170-170 แฟกซ์: 02-888-3258

<https://www.add-furnace.com> E-mail: [sales@add-furnace.com](mailto:sales@add-furnace.com)

#### Mechanical data:

**Cable entry type** 1x (M20 x 1.5)

#### Communication/ Protocol:

**Design of the interface** without

#### Ambient conditions:

**Ambient temperature**

- during operation -25 ... +85 °C
- during storage -40 ... +90 °C

#### Installation/ mounting/ dimensions:

**Mounting position** any

**Mounting type** screw fixing

#### Certificates/approvals

General Product Approval

Functional Safety/Safety of Machinery

Declaration of Conformity



[Baumusterprüfbescheinigung](#)



EG-Konf.

**Test Certificates** other

[spezielle Prüfbescheinigungen](#)

[Bestätigungen](#)

#### Further information

**Information- and Downloadcenter (Catalogs, Brochures,...)**

<http://www.siemens.com/industrial-controls/catalogs>

**Industry Mall (Online ordering system)**

<https://mall.industry.siemens.com/mall/en/en/Catalog/product?mlfb=3SE51120CH01>

**Cax online generator**

<http://support.automation.siemens.com/WW/CAXorder/default.aspx?lang=en&mlfb=3SE51120CH01>

**Service&Support (Manuals, Certificates, Characteristics, FAQs,...)**

<https://support.industry.siemens.com/cs/ww/en/ps/3SE51120CH01>

**Image database (product images, 2D dimension drawings, 3D models, device circuit diagrams, EPLAN macros, ...)**

[http://www.automation.siemens.com/bilddb/cax\\_de.aspx?mlfb=3SE51120CH01&lang=en](http://www.automation.siemens.com/bilddb/cax_de.aspx?mlfb=3SE51120CH01&lang=en)



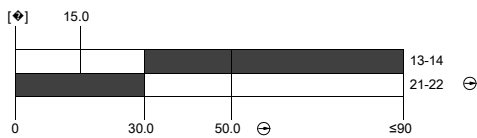
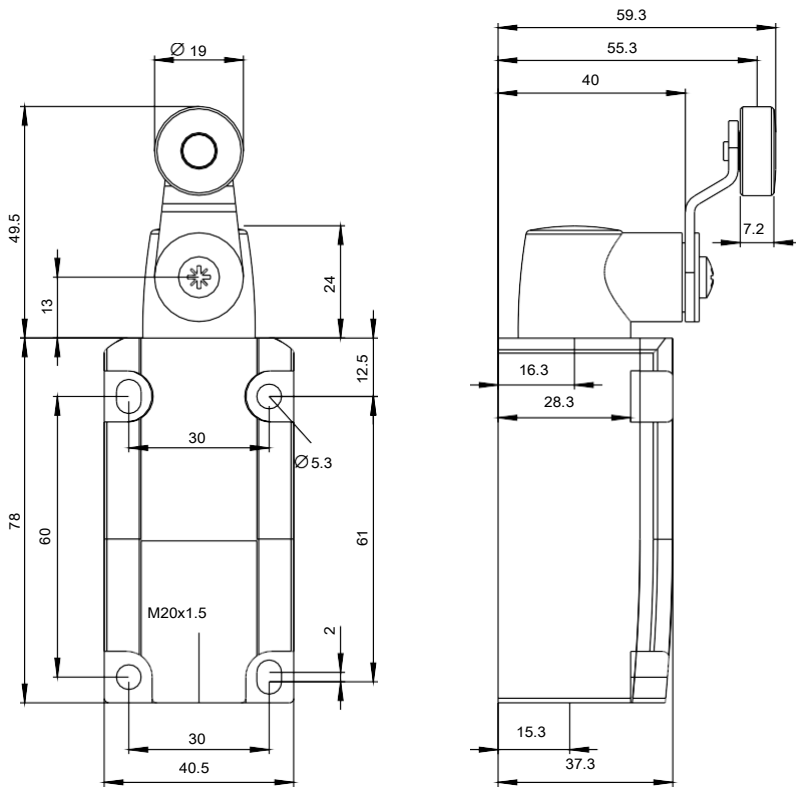
บริษัท เอดีดี เฟอร์เนส จำกัด

ADD FURNACE CO.,LTD.

44 ซอยบรมราชชนนี 70 ถนนบรมราชชนนี แขวงศาลาธรรมสพน์ เขตทวีวัฒนา กรุงเทพฯ 10170

โทร: 02-888-3472 โทร: ออกแบบ:08-08-170-170 แฟกซ์: 02-888-3258

<https://www.add-furnace.com> E-mail: [sales@add-furnace.com](mailto:sales@add-furnace.com)



last modified:

11.03.2016