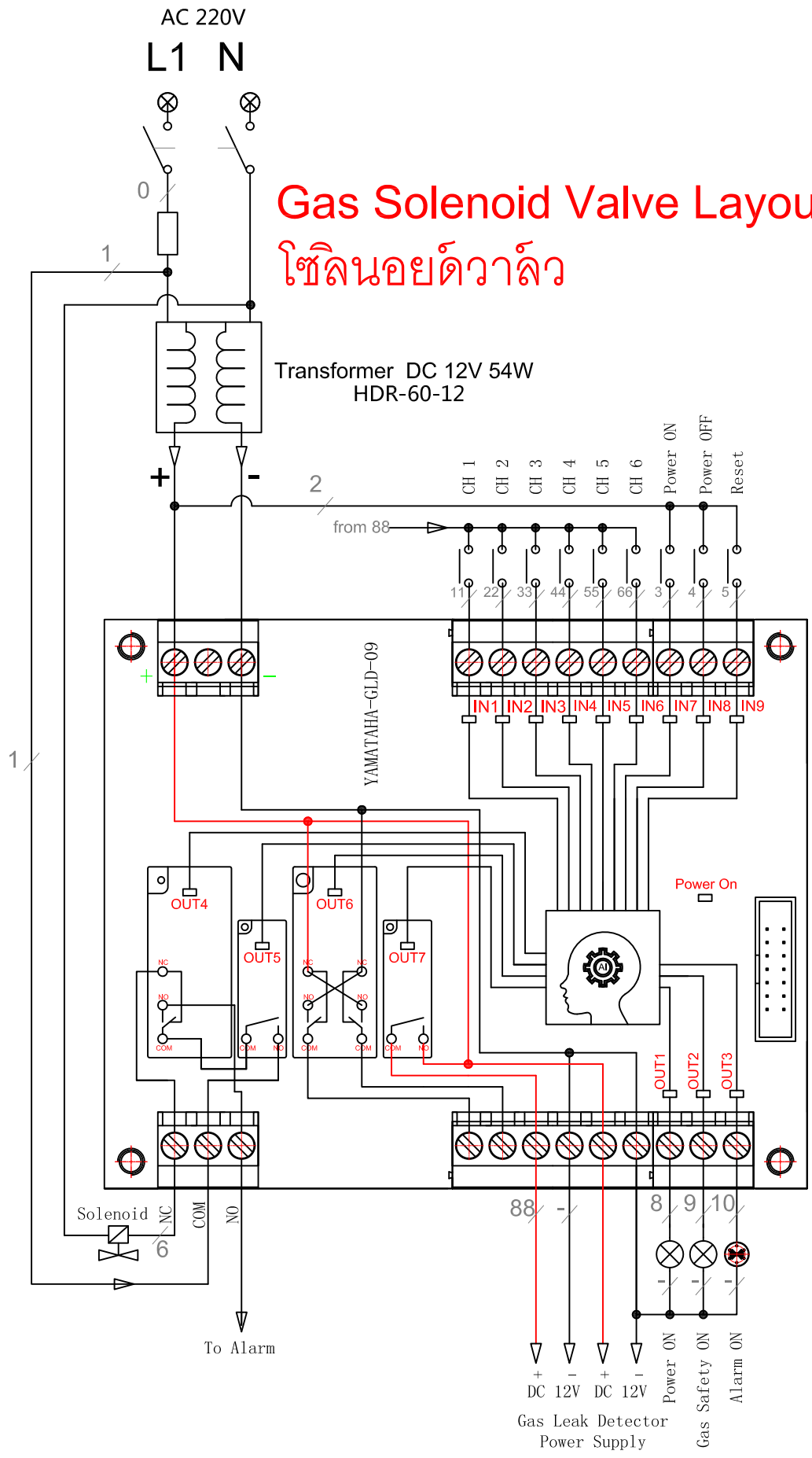


Itemref	Quantity	Title/Name, designation, material, dimension etc	Article No./Reference
Designed by XXX	Checked by XXX	Approved by - date FENG - 27/12/2020	File name WIRING-LAYOUT
TITLE YAMATAHA-GLD-09			

	บริษัท เอดิต เฟอร์เนส จำกัด ADD FURNACE CO.,LTD. https://www.add-furnace.com sales@add-furnace.com Tel:02-888-3472 Fax:02-888-3258	XXX Gas-Leak-Detector-6Point (6Channel)	Scale(A4) 1:x	Edition 0	Sheet 1/1	View(Third)
	SERVED THE RIGHT OF THIS DRAWING BY ADD FURNACE CO.,LTD. DO NOT COPY OR REPEAT THIS DRAWING BEFORE GETTING CONSENT FROM COMPANY					

A
B
C
D
E
F

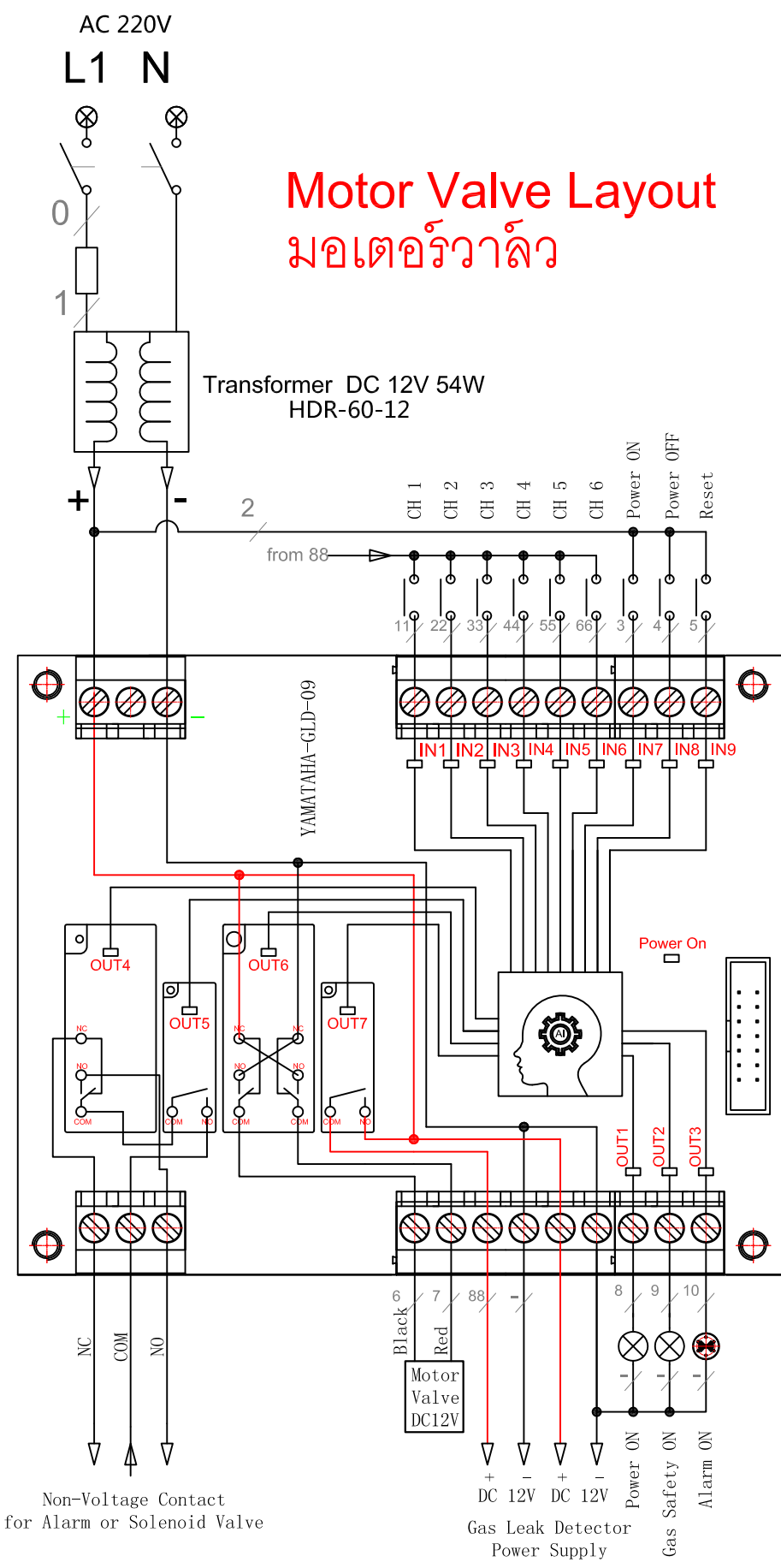
A
B
C
D
E
F



Itemref	Quantity	Title/Name, designation, material, dimension etc	Article No./Reference	
Designed by XXX	Checked by XXX	Approved by - date FENG - 27/12/2020	File name SOLENOID-VALVE	TITLE YAMATAHA-GLD-09

	บริษัท เอ็ดดี เฟอร์เนส จำกัด ADD FURNACE CO.,LTD.	XXX	Gas-Leak-Detector-6Point (6Channel)	
	https://www.add-furnace.com sales@add-furnace.com Tel:02-888-3472 Fax:02-888-3258	Scale(A4) 1:x	Edition 0	Sheet 1/1

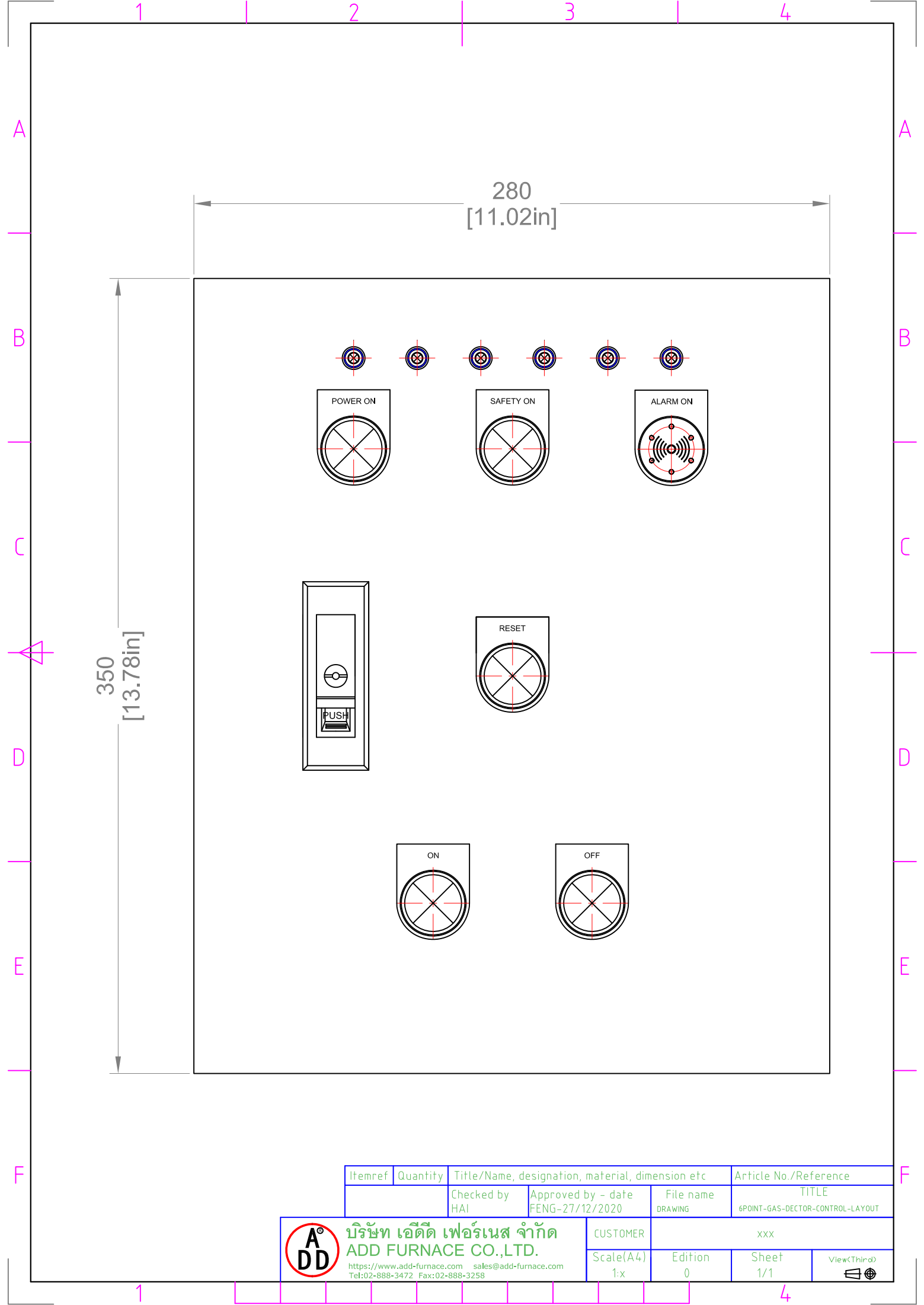
SERVED THE RIGHT OF THIS DRAWING BY
ADD FURNACE CO.,LTD. DO NOT COPY OR REPEAT THIS
DRAWING BEFORE GETTING CONSENT FROM COMPANY



Itemref	Quantity	Title/Name, designation, material, dimension etc	Article No./Reference
Designed by XXX	Checked by XXX	Approved by - date FENG - 27/12/2020	File name MOTOR-VALVE
TITLE YAMATAHA-GLD-09			

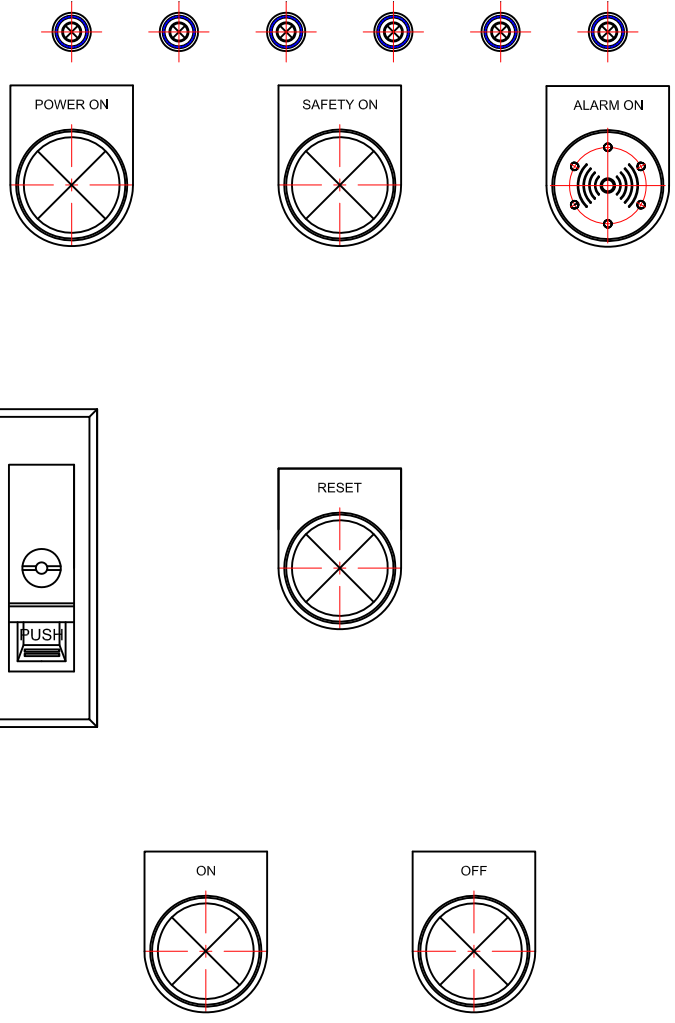
	บริษัท เอ็ดดี เฟอร์เนส จำกัด ADD FURNACE CO.,LTD.	XXX	Gas-Leak-Detector-6Point (6Channel)		
	https://www.add-furnace.com sales@add-furnace.com Tel:02-888-3472 Fax:02-888-3258	Scale(A4) 1:x	Edition 0	Sheet 1/1	View(Third)

SERVED THE RIGHT OF THIS DRAWING BY
ADD FURNACE CO.,LTD. DO NOT COPY OR REPEAT THIS
DRAWING BEFORE GETTING CONSENT FROM COMPANY



350
[13.78in]

280
[11.02in]



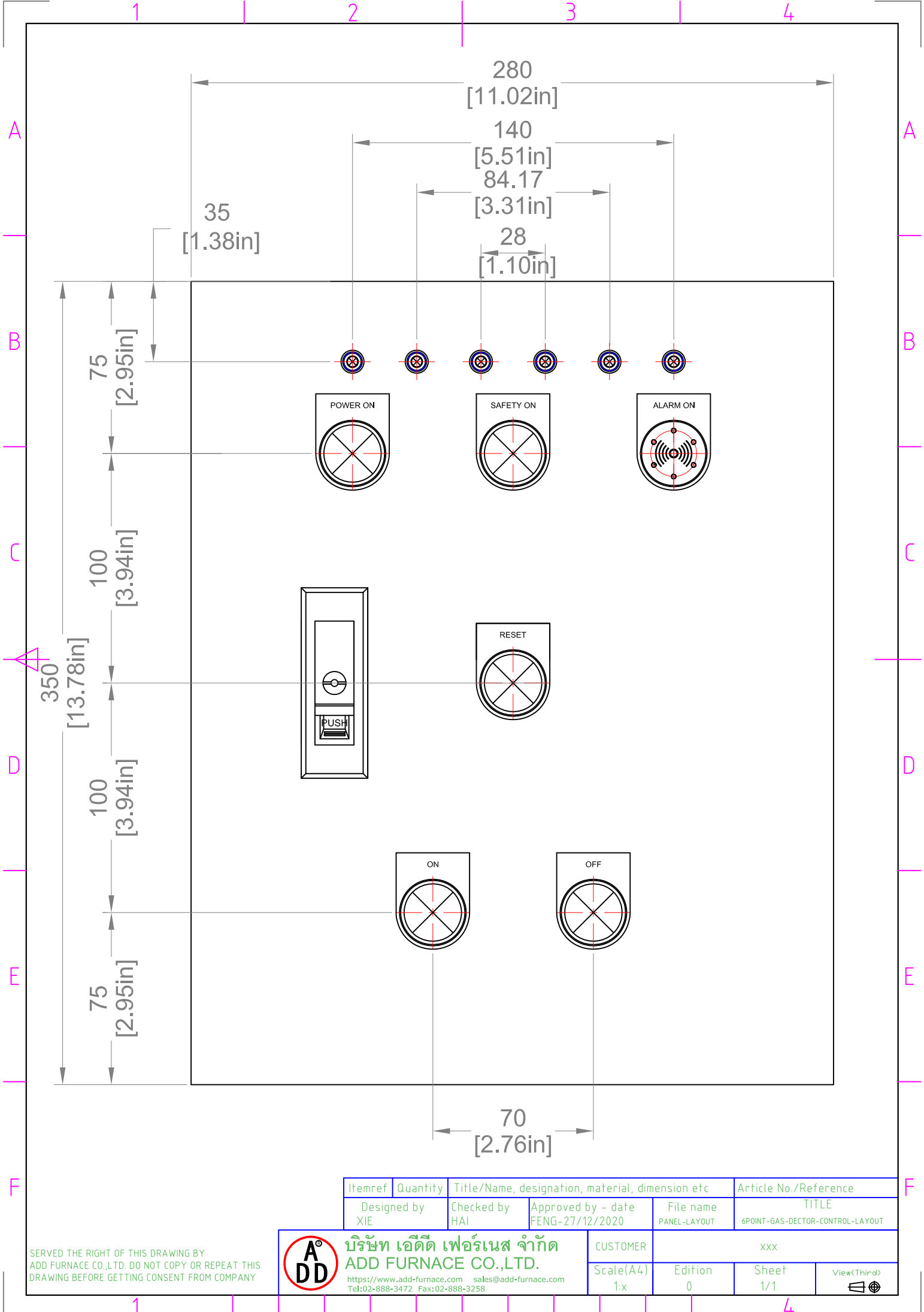
Itemref	Quantity	Title/Name, designation, material, dimension etc	Article No./Reference	
		Checked by HAI	Approved by - date FENG-27/12/2020	TITLE 6POINT-GAS-DECTOR-CONTROL-LAYOUT
		CUSTOMER	xxx	
		Scale(A4) 1:x	Edition 0	Sheet 1/1



บริษัท เอดีดี เฟอร์เนส จำกัด
ADD FURNACE CO.,LTD.
<https://www.add-furnace.com> sales@add-furnace.com
 Tel:02-888-3472 Fax:02-888-3258

CUSTOMER xxx
 Scale(A4) 1:x Edition 0 Sheet 1/1
 View(Third)





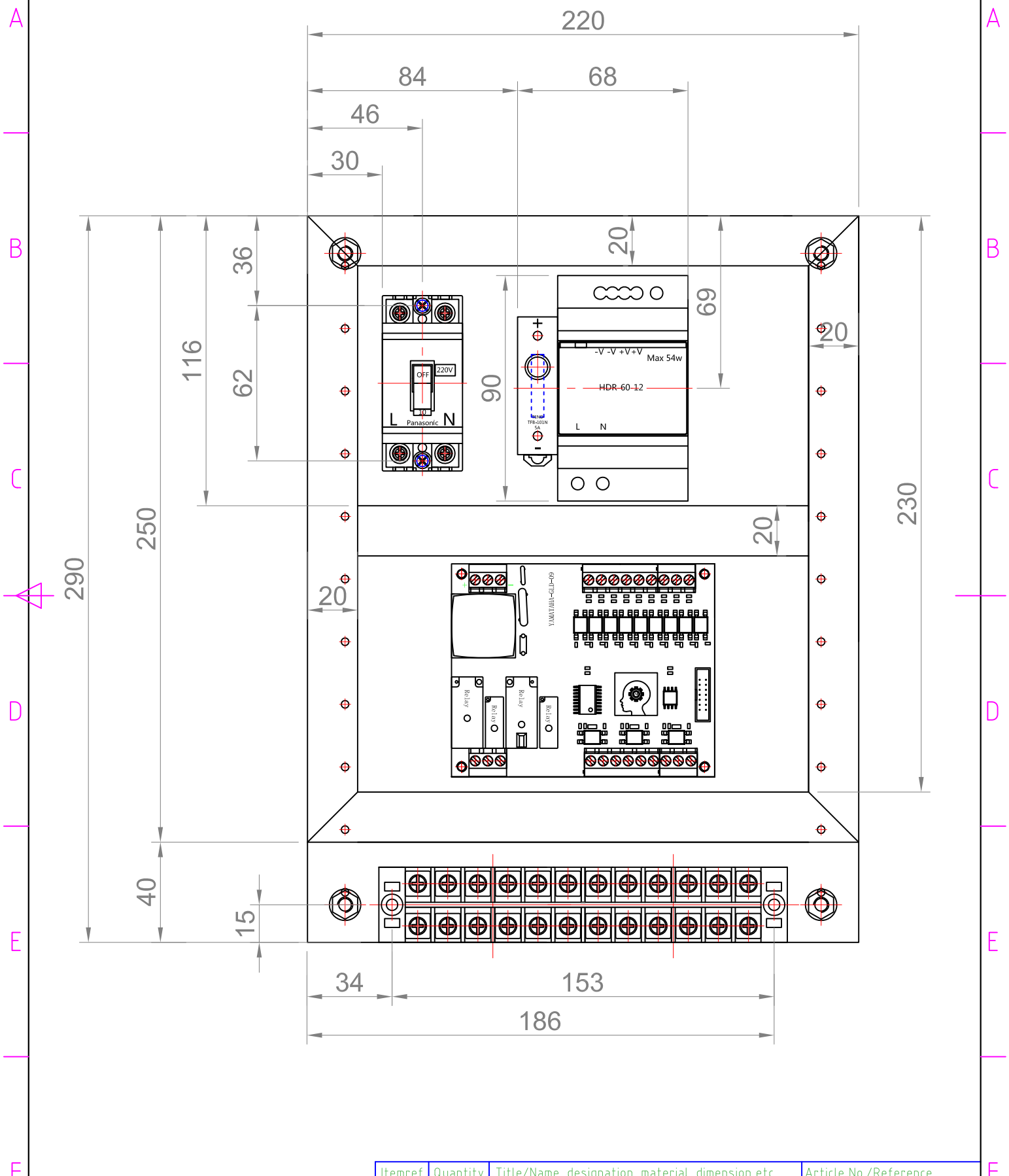
Itemref	Quantity	Title/Name, designation, material, dimension etc	Article No./Reference		
Designed by XIE	Checked by HAI	Approved by - date FENG-27/12/2020	File name PANEL-LAYOUT	TITLE 6POINT-GAS-DECTOR-CONTROL-LAYOUT	
CUSTOMER			xxx		
Scale(A4) 1:x	Edition 0	Sheet 1/1	View(Third)		

SERVED THE RIGHT OF THIS DRAWING BY
ADD FURNACE CO.,LTD. DO NOT COPY OR REPEAT THIS
DRAWING BEFORE GETTING CONSENT FROM COMPANY



บริษัท เอ็ดดี เฟอร์เนส จำกัด
ADD FURNACE CO.,LTD.
<https://www.add-furnace.com> sales@add-furnace.com
 Tel:02-888-3472 Fax:02-888-3258





Itemref	Quantity	Title/Name, designation, material, dimension etc	Article No./Reference
Designed by XIE	Checked by HAI	Approved by - date FENG-27/12/2020	File name PANEL-INSIDE
TITLE			6POINT-GAS-DECTOR-CONTROL-LAYOUT

SERVED THE RIGHT OF THIS DRAWING BY
ADD FURNACE CO.,LTD. DO NOT COPY OR REPEAT THIS
DRAWING BEFORE GETTING CONSENT FROM COMPANY

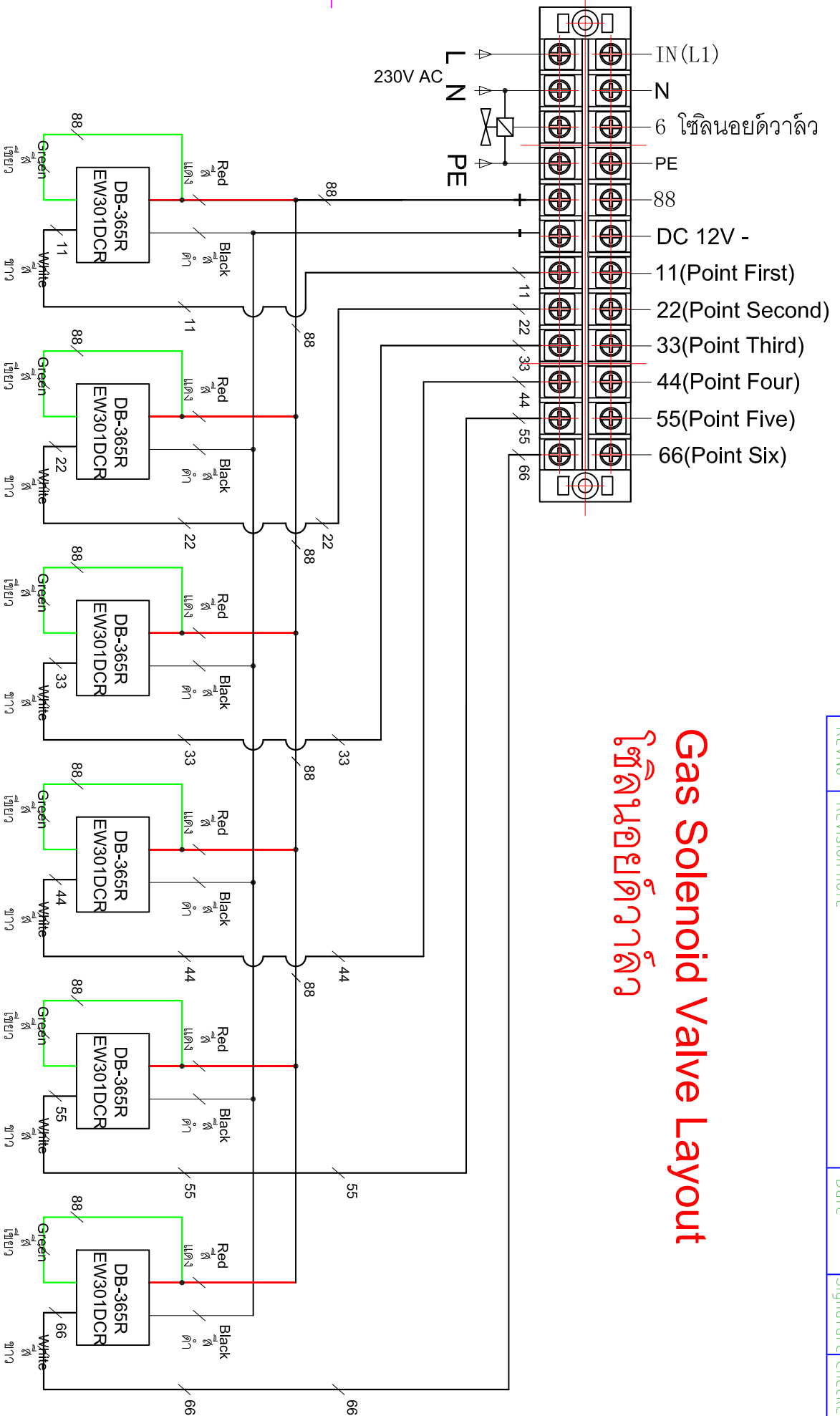


บริษัท เอดิต เฟอร์เนส จำกัด
ADD FURNACE CO.,LTD.
https://www.add-furnace.com sales@add-furnace.com
Tel:02-888-3472 Fax:02-888-3258

CUSTOMER	xxx		
Scale(A4)	Edition	Sheet	View(Third)
1:x	0	1/1	

Gas Solenoid Valve Layout

โซลินอยด์วาล์ว



SERVED THE RIGHT OF THIS DRAWING BY ADD FURNACE CO.,LTD.
DO NOT COPY OR REPEAT THIS DRAWING BEFORE GETTING CONSENT FROM COMPANY



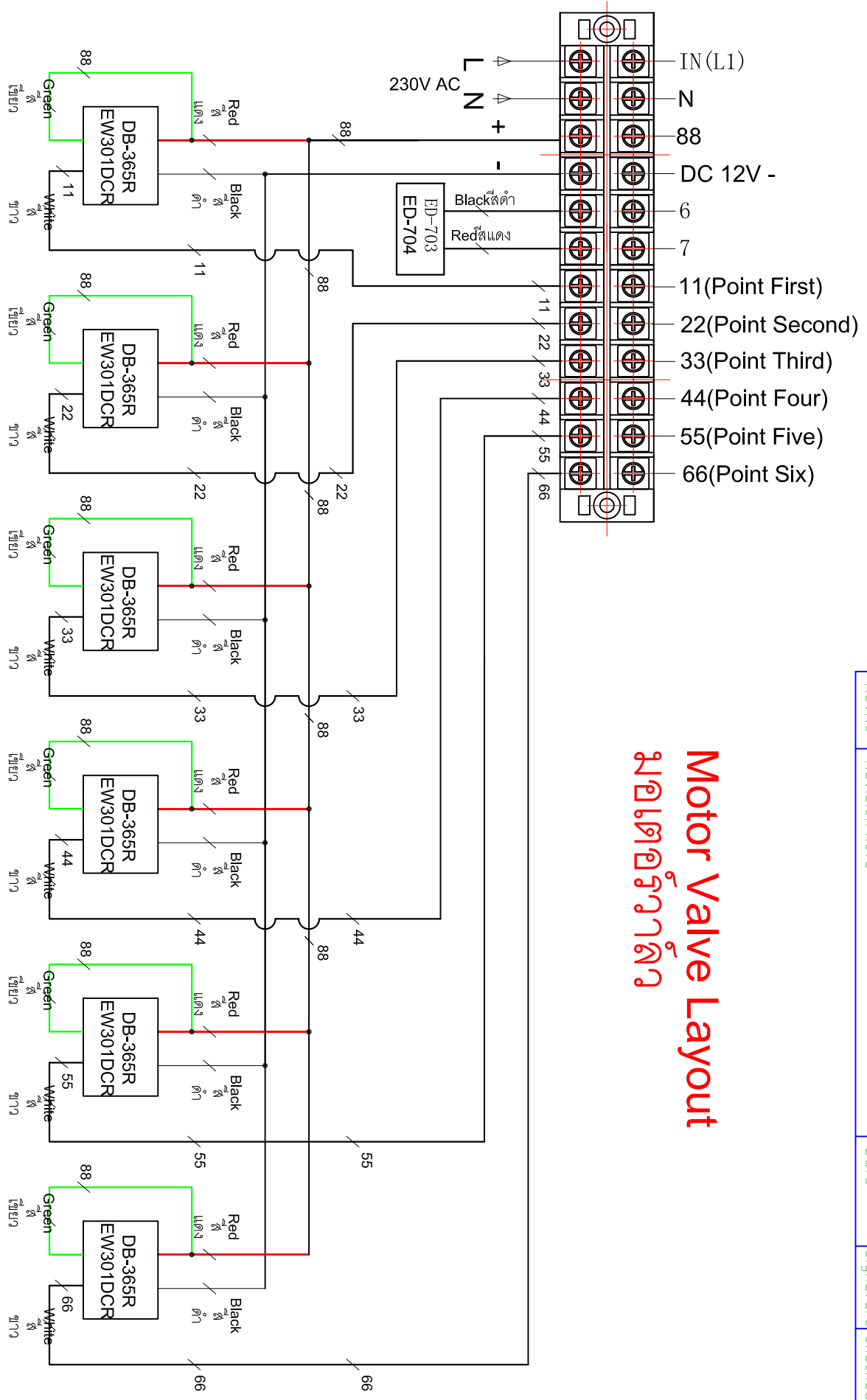
บริษัท เอดด์ เฟอร์เนซ จำกัด
ADD FURNACE CO.,LTD.
https://www.add-furnace.com sales@add-furnace.com
Tel:02-888-3472 Fax:02-888-3258

Itemref	Quantity	Title/Name, designation, material, dimension etc	Article No./Reference
Designed by XIE	Checked by HAI_BY	Approved by - date FENG_BY_01/01/19	File name SOLENOID-VALVE
CUSTOMER			Edition 0
Scale(A4) 1:X			Sheet 1/1
View(Third)			

RevNo	Revision note	Date	Signature	Checked
-------	---------------	------	-----------	---------

Motor Valve Layout

มอเตอร์วาล์ว 6 จุด



SERVED THE RIGHT OF THIS DRAWING BY ADD FURNACE CO.,LTD.
DO NOT COPY OR REPEAT THIS DRAWING BEFORE GETTING CONSENT FROM COMPANY



บริษัท เอดด์ เฟอร์เนซ จำกัด
ADD FURNACE CO.,LTD.
https://www.add-furnace.com sales@add-furnace.com
Tel:02-888-3492 Fax:02-888-3258

Itemref	Quantity	Title/Name, designation, material, dimension etc	Article No./Reference
Designed by XIE	Checked by HAL_BY	Approved by - date FENG-27/12/2020	TITLE MOTOR-VALVE
CUSTOMER			6POINT-GAS-DECTOR-CONTROL-LAYOUT
Scale(A4) 1:X	Edition 0	Sheet 1/1	XXX-CO.,LTD