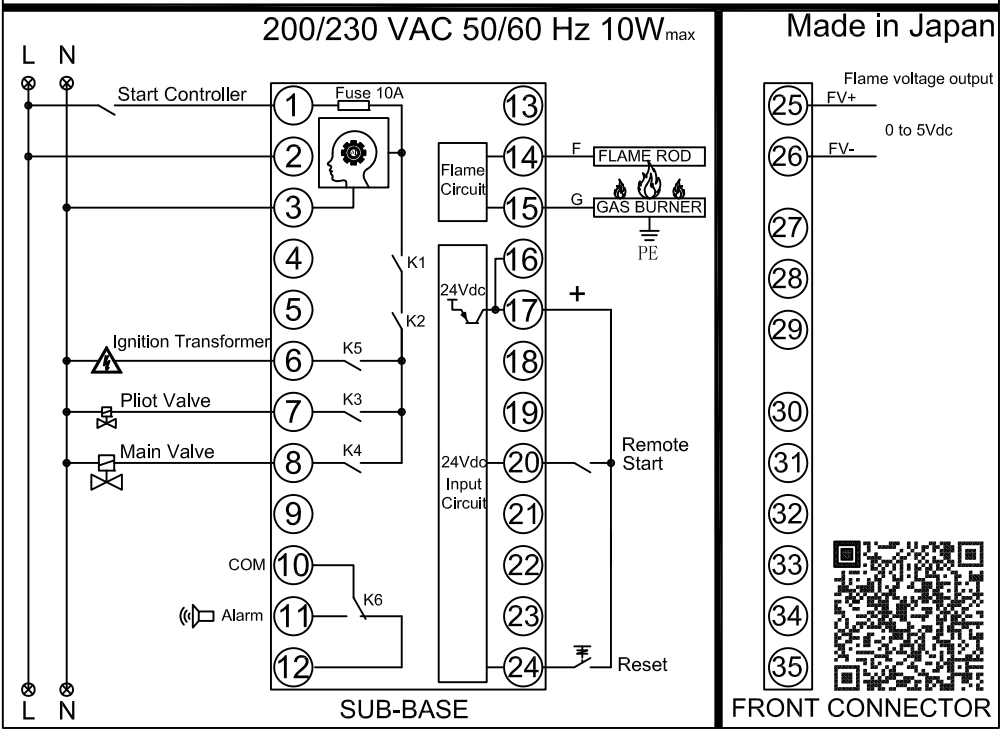


Yamataha RB890F200

Yamataha Corporation



Sequence code	
Display	Description
--	Controller shutdown
P1	Start check
P3	Ignition Standby
P4	Lockout timing
P5	Waiting for run
P8	Run

Flame Detector Type:
1. Flame Rod

Alarm code	Sub code	Description
E1	None	False flame
E6		Ignition failure
E7		Flame failure
E9	02	Switch Input
E9	03	Internal relay feedback (K1)
E9	05	Terminal 7 voltage discrepancy(PV)
E9	06	Terminal 8 voltage discrepancy(MV)
E9	07	Terminal 6 voltage discrepancy(IG)
E9	08	Alarm activation at power ON
E9	50 or More	Device error

Itemref	Quantity	Title/Name, designation, material, dimension etc	Article No./Reference
Designed by XXX	Checked by XXX	Approved by - date XXX - 09/09/2021	File name xxx
TITLE Yamataha RB890F200(Burner Controller)			

	บริษัท เอดดี เฟอร์เนส จำกัด ADD FURNACE CO.,LTD.		Customer	Flame Rod Check		
	https://www.add-furnace.com sales@add-furnace.com Tel:02-888-3472 Fax:02-888-3258		Scale(A4) 1:x	Edition 0	Sheet 1/1	View(Third)

SERVED THE RIGHT OF THIS DRAWING BY
ADD FURNACE CO.,LTD. DO NOT COPY OR REPEAT THIS
DRAWING BEFORE GETTING CONSENT FROM COMPANY