

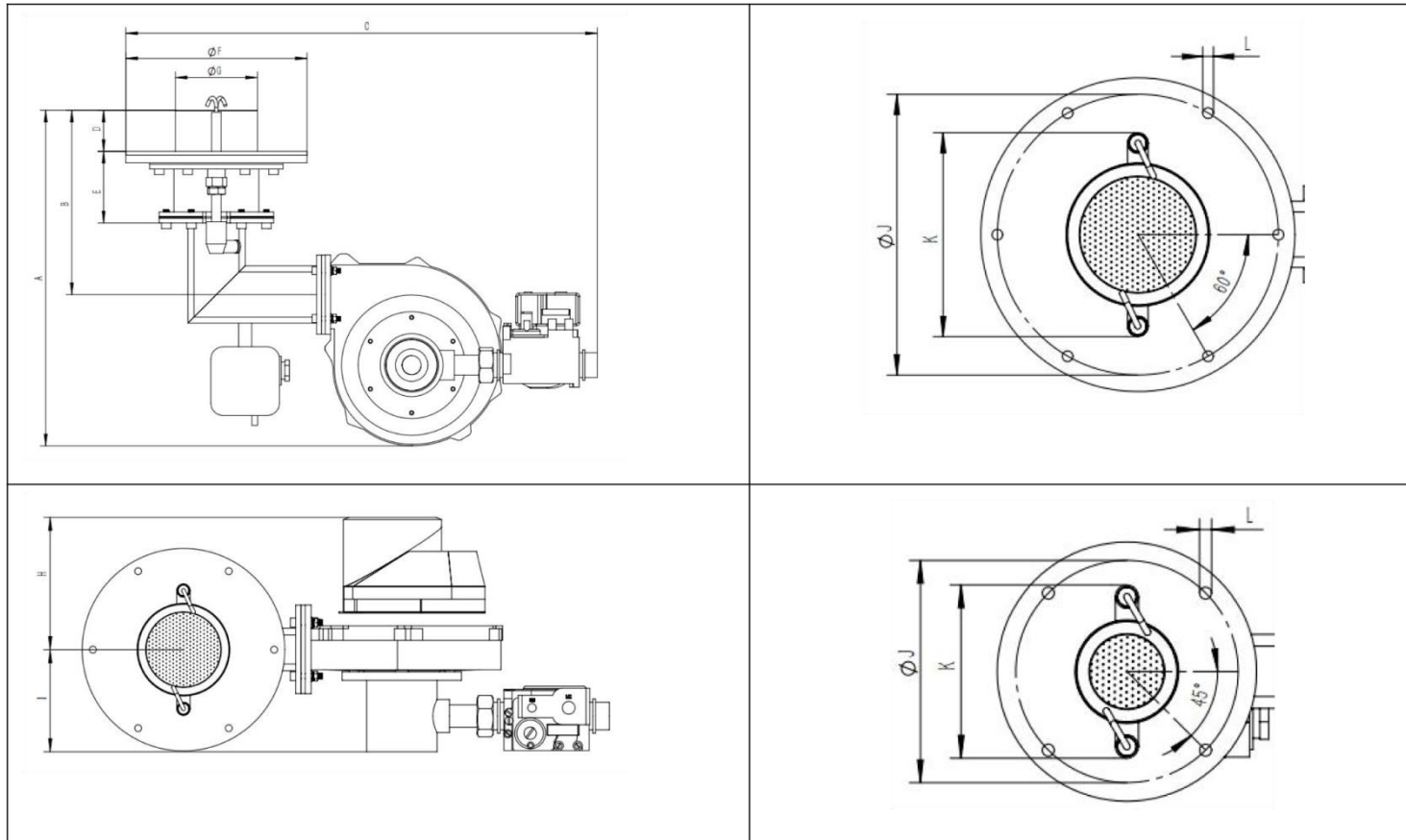
YAMATAHA-IMB/MFD series

Product number : YAMATAHA-IMB25MFD55 | YAMATAHA-IMB30MFD65 | YAMATAHA-IMB40MFD86 |

YAMATAHA-IMB60MFD86 | YAMATAHA-IMB90MFD112 | YAMATAHA-IMB120MFD139

| Model (รุ่น) | Power (พลังงาน) (KW) | Heat range (ช่วงความร้อน) (Kcal/h) | Natural gas consumption (ปริมาณการใช้ก๊าซธรรมชาติ) (m ³ /h) | Liquefied petroleum gas (ก๊าซปิโตรเลียมเหลว) (Kg/h) |
|-----------------------|----------------------|------------------------------------|--|---|
| YAMATAHA-IMB25MFD55 | 5~25 | 0.43~2.15 | 0.5~2.5 | 0.39~0.98 |
| YAMATAHA-IMB30MFD65 | 6~30 | 0.52~2.58 | 0.6~3 | 0.47~2.35 |
| YAMATAHA-IMB40MFD86 | 8~40 | 0.69~3.44 | 0.8~4 | 0.62~3.13 |
| YAMATAHA-IMB60MFD86 | 12~60 | 1.03~5.15 | 1.2~6 | 0.94~4.69 |
| YAMATAHA-IMB90MFD112 | 18~90 | 1.55~7.74 | 1.8~9 | 1.40~7.036 |
| YAMATAHA-IMB120MFD139 | 22~120 | 2.07~10.33 | 2.2~12 | 1.72~9.38 |

Dimension ขนาด



| Model (รุ่น) | A | B | C | D | E | φF | φG | H | I | φJ | K | L |
|-----------------------|-----|-----|-----|----|----|-----|-----|-----|-----|-----|-----|------|
| YAMATAHA-IMB25MFD55 | 345 | 209 | 460 | 43 | 90 | 140 | 55 | 75 | 112 | 120 | 94 | 4XM6 |
| YAMATAHA-IMB30MFD65 | 345 | 209 | 460 | 43 | 90 | 140 | 65 | 75 | 112 | 120 | 99 | 4XM6 |
| YAMATAHA-IMB40MFD86 | 345 | 209 | 485 | 43 | 90 | 190 | 86 | 75 | 112 | 170 | 124 | 6xM6 |
| YAMATAHA-IMB60MFD86 | 367 | 209 | 495 | 43 | 90 | 190 | 86 | 125 | 96 | 170 | 124 | 6xM6 |
| YAMATAHA-IMB90MFD112 | 372 | 213 | 495 | 48 | 90 | 190 | 112 | 125 | 96 | 170 | 147 | 6xM6 |
| YAMATAHA-IMB120MFD139 | 372 | 213 | 610 | 48 | 90 | 270 | 139 | 125 | 122 | 250 | 180 | 6xM6 |

Application

Working pressure: 2.5~5kpa

แรงดันทำงาน : 2.5~5kpa

The burner can choose switch Yamatah austment/proportional Yamatah austment : (0~10V, 10~20mA)

หัวเตาสามารถเลือกปรับสวิทซ์/ปรับสัดส่วนได้ : (0~10V, 10~20mA)

Flame controller can choose digital/manual, on/off, temperature controller

ตัวควบคุมเปลวไฟสามารถเลือกแบบดิจิตอล/แมนนวล, เปิด/ปิด, ตัวควบคุมอุณหภูมิ

