



บริษัท เอดีดี เฟอร์เนส จำกัด

ADD FURNACE CO.,LTD.

44 ซอยบรมราชชนนี 70 ถนนบรมราชชนนี แขวงศาลาธรรมสพน์ เขตทวีวัฒนา กรุงเทพฯ 10170

โทร: 02-888-3472 โทร: ออกแบบ:08-08-170-170 แฟกซ์: 02-888-3258

https://www.add-furnace.com E-mail: sales@add-furnace.com

3 PORT SOLENOID VALVE

360 Super Poppet SERIES (Rc1/4~Rc2)

IN-LINE TYPE

Pilot operated poppet valve

SPECIFICATIONS

FLUID	Filtered Compressed Air
OPERATING PRESSURE	0.15~1.0Mpa (Internal Pilot Supply type)
	0.5~1.0 MPa (External Pilot Supply type)
AMBIENT TEMPERATURE	5~50 °C
PROOF PRESSURE	1.6MPa
LUBRICANTS	ISO VG32 turbine oil, or equivalent oil is recommended
MANUAL OPERATION	Manual push button/Non-lock type
RATED VOLTAGE	<ul style="list-style-type: none"> •AC-100V 50/60Hz, 110V 60Hz •AC-200V 50/60Hz, 220 60Hz •DC-24V •DC-100V
VOLTAGE ALLOWANCE	-15~10%
INSULATION GRADE	Class B



SINGLE SOLENOID



DOUBLE SOLENOID

BASIC MODEL NOs. & OTHERS

Port Size		MODEL NUMBER					Effective Area [mm ²] <Cv value>			
		Single Solenoid		* Mass [kg]	Double Solenoid	* Mas s [kg]	Normally Closed & Double Solenoid		Normally Open	
IN OUT	FX	Normally Closed	Normally Open				IN-OUT	OUT-EX	IN-OUT	OUT-EX
Rc1/4	Rc1/2	363-201-00B0	363-201-10B0	1.1	363-201-20B0	1.2	42.5<2.3>	56<3.0>	47.5<2.6>	56<3.0>
Rc3/8		363-301-00B0	363-301-10B0		363-301-20B0		63<3.4>	85<4.6>	60<3.2>	71<3.8>
Rc1/2		363-401-00B0	363-401-10B0		363-401-20B0		75<4.1>	100<5.4>	63<3.4>	71<3.8>
Rc1/2	Rc1	368-401-00B0	368-401-10B0	1.8	368-401-20B0	1.9	106<5.7>	160<8.6>	112<6.1>	140<7.6>
Rc3/4		368-601-00B0	368-601-10B0		368-601-20B0		170<9.2>	236<12.8>	150<8.1>	176<9.5>
Rc1		368-801-00B0	368-801-10B0		368-801-20B0		190<10.2>	250<13.5>	190<10.2>	180<9.7>
Rc1 1/4	Rc1 1/4	368-A01-00B0	368-A01-10B0	6.2	368-A01-20B0	6.8	190<10.2>	250<13.5>	190<10.2>	180<9.7>
Rc1 1/4	Rc	36B-A00-00B0	36B-A00-10B0		36B-A00-20B0		450<24.3>	530<28.6>	400<21.6>	425<23.0>
Rc1 1/2		36B-B00-00B0	36B-B00-10B0		36B-B00-20B0		500<27.0>	600<32.4>	480<25.9>	500<27.0>
Rc2		36B-C00-00B0	36B-C00-10B0		36B-C00-20B0		530<28.6>	600<32.4>	480<25.9>	500<27.0>



บริษัท เอดีดี เฟอร์เนส จำกัด

ADD FURNACE CO.,LTD.

44 ซอยบรมราชชนนี 70 ถนนบรมราชชนนี แขวงศาลาธรรมสพน์ เขตทวีวัฒนา กรุงเทพฯ 10170

โทร: 02-888-3472 โทร: ออกแบบ:08-08-170-170 แฟกซ์: 02-888-3258

<https://www.add-furnace.com> E-mail: sales@add-furnace.com

HOW TO ORDER

368-801-00B0 AC-100V

③ ④ ⑦⑧⑨⑩ ⑪

PRODUCT TYPE: 360 SERIES

③ Basic Body Size

- | | |
|---|--------------|
| 3 | 3/8" Basic |
| 8 | 1" Basic |
| B | 1 1/2" Basic |

④ Main Pipe Size

- | | |
|---|----------|
| 2 | Rc 1/4 |
| 3 | Rc 3/8 |
| 4 | Rc 1/2 |
| 6 | Rc 3/4 |
| 8 | Rc 1 |
| A | Rc 1 1/4 |
| B | Rc 1 1/2 |
| C | Rc 2 |

⑦ Function

- | | |
|---|-------------------------------------|
| 0 | Single solenoid,
Normally closed |
| 1 | Single solenoid,
Normally open |
| 2 | Double solenoid |

⑧ Pilot Air Supply

- | | |
|---|----------------------------------|
| 0 | Internal Pilot Air Supply (Std.) |
| 1 | External Pilot Air Supply |

⑨ Accessory

- | | |
|---|---|
| B | Manual push button /Non-lock type
mounting bracket |
| R | Lock type manual operation button
Mounting bracket |

⑩ Type of Operator

- | | |
|---|---|
| 0 | Solenoid (Std.) |
| 2 | Solenoid with indicator and surge
killer |

⑪ Rated Voltage

- | | |
|---------|----------------------------|
| AC-100V | AC-100V 50/60Hz, 110V 60Hz |
| AC-200V | AC-200V 50/60Hz, 220V 60Hz |
| DC-24V | DC-24V |
| DC-100V | DC-100V |



บริษัท เอดีดี เฟอร์เนส จำกัด

ADD FURNACE CO.,LTD.

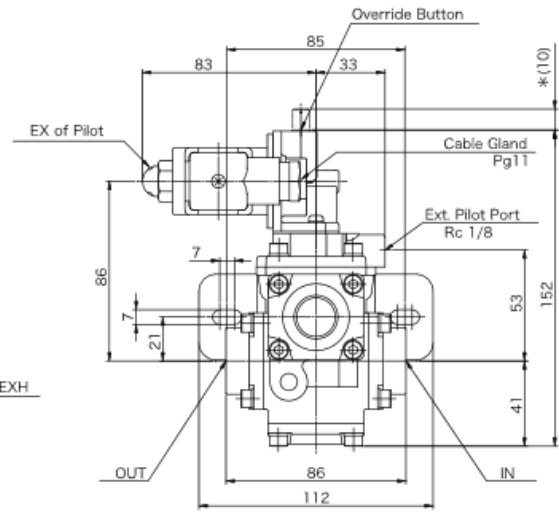
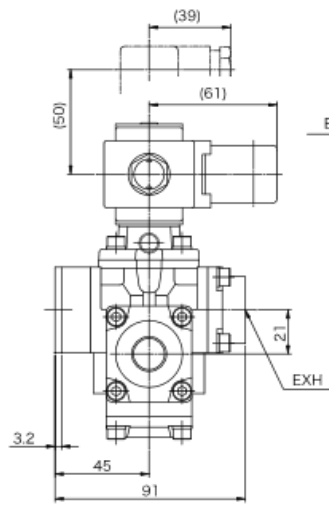
44 ซอยบรมราชชนนี 70 ถนนบรมราชชนนี แขวงศาลาธรรมสพน์ เขตทวีวัฒนา กรุงเทพฯ 10170

โทร: 02-888-3472 โทร: ออกแบบ:08-08-170-170 แฟกซ์: 02-888-3258

https://www.add-furnace.com E-mail: sales@add-furnace.com

DIMENSIONS

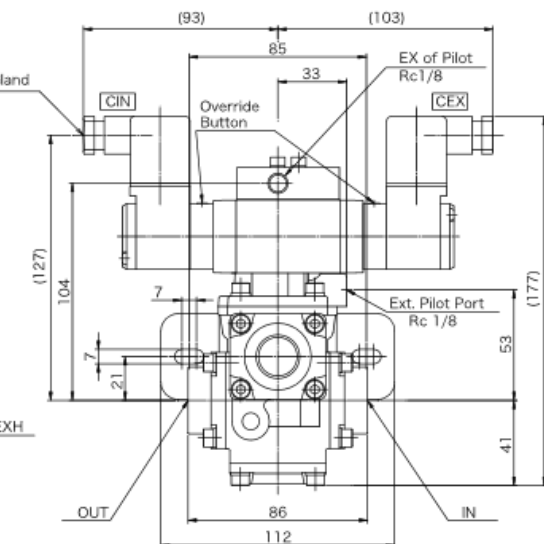
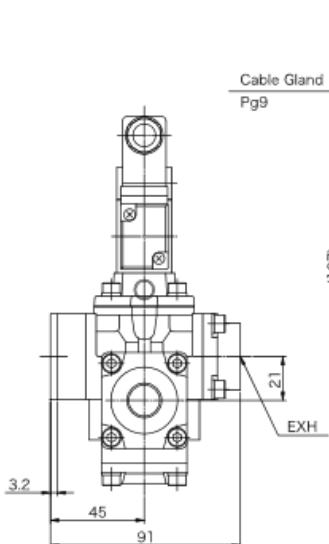
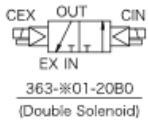
-mm- 360 Series Solenoid Valve ,2-Position



*(10) is dimension of a lockable override (option)

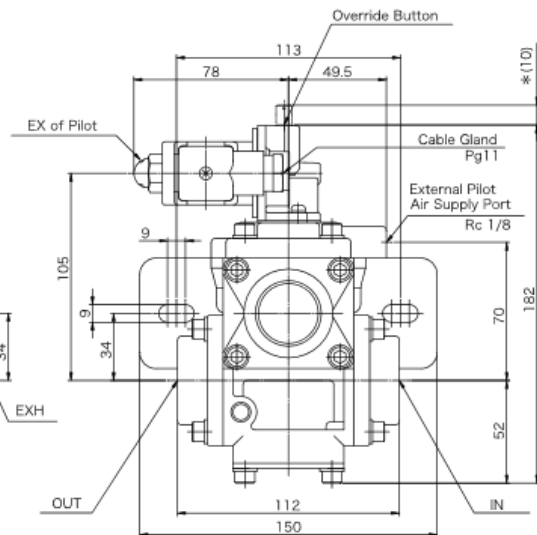
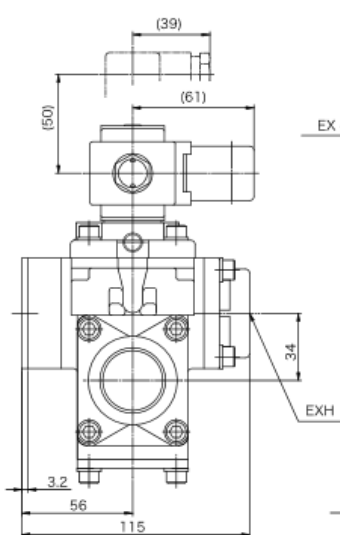
Port Sizes of Each Model

Model Numbers	IN & OUT	EX
363-201-00B0/10B0	Rc1/4	Rc1/2
363-301-00B0/10B0	Rc3/8	
363-401-00B0/10B0	Rc1/2	



Port Sizes of Each Model

Model Numbers	IN & OUT	EX
363-201-20B0	Rc1/4	Rc1
363-301-20B0	Rc3/8	
363-401-20B0	Rc1/2	



*(10) is dimension of a lockable override (option)

Port Sizes of Each Model

Model Numbers	IN & OUT	EX
368-401-00B0/10B0	Rc1/2	Rc1
368-601-00B0/10B0	Rc3/4	
368-801-00B0/10B0	Rc1	
368-A01-00B0/10B0	Rc1-1/4	

