



บริษัท เอดีดี เฟอร์เนส จำกัด

ADD FURNACE CO.,LTD.

44 ซอยบรมราชชนนี 70 ถนนบรมราชชนนี แขวงศาลาธรรมสพน์ เขตทวีวัฒนา กรุงเทพฯ 10170

โทร: 02-888-3472 โทร.ออกแบบ:(08-08-170-170 แฟกซ์: 02-888-3258

<https://www.add-furnace.com> E-mail: sales@add-furnace.com

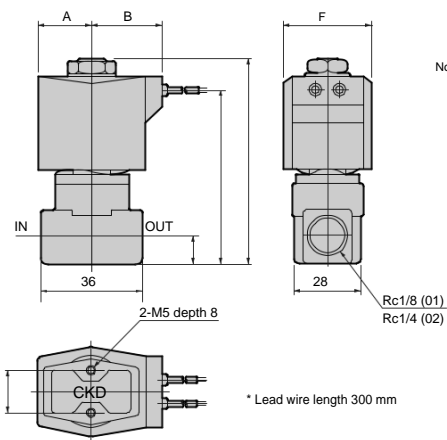
AB31 / 41 / 42 Series

Dimensions: AB31 Series



Grommet lead wire type

AB31-01/02-1 to 6-*



Note 1: The AB31 Series is an open when energized type 2 port solenoid valve. The body and sealant materials are combined according to the working fluid, and the orifice and pressure are selected according to the relation of the required flow rate and pressure. The coil specifications are determined according to the fluid temperature and ambient conditions, allowing the optimum valve to be selected.

Note 2: The dimensions are the same for the G or NPT thread port size.

Model no.	A	B	D	F
AB31-01-1 to 6-AC	20	27	63	34
-02-1 to 6-AC				



AB31/41/42 Series

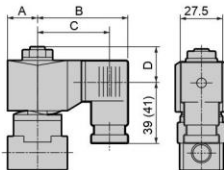
Optional dimensions: AB31 Series



* Refer to the grommet lead wire type dimensions on the left page for common dimensions.

● DIN terminal box

AB31-01/02-1 to 6-²[E G H]



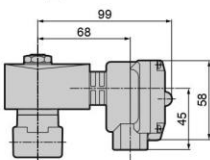
Dimensions shown in () are for G1/2.

Voltage	A	B	C	D
AC (2E/2G/2H)	20	62	50.5 (50)	20.5
DC (2E/2G/2H)	21	63.5	52 (51.5)	20.5

● Open frame type + HP terminal box

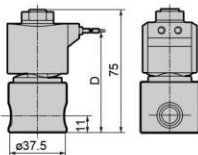
AB31-01/02-1 to 6-³[M N I J]

4M
4N



● Stainless steel body

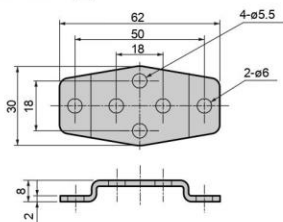
AB31-01/02-1 to 6-^D[E/F/R/W/L/M/N]



Model no.	D
Blank	63

● Mounting plate

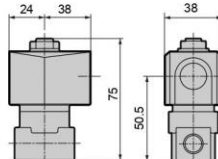
AB31-01/02-1 to 6-⁴[B]



Mounting plate No. 1 GE-100106

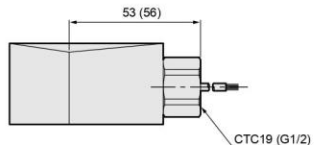
● Open frame lead wire type

AB31-01/02-1 to 6-^{3A}
4A
5A



● Open frame type + conduit

AB31-01/02-1 to 6-^{3A}[G H]
4A
5A

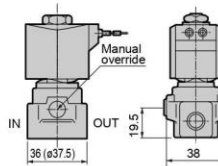


Dimensions shown in () are for G1/2.

● Manual override (locking)

AB31-01/02-1 to 6-⁴[A]

Figure shows the brass body.



Dimensions shown in () are for stainless steel body.

HNB/G

USB/G

FAB/G

FGB/G

FVB

FWB/G

FHB

FLB

AB

AG

AP/
AD

APK/
ADK

For
dry air

Explosion
proof

HVB/
HVL

SAB/
SVB

NP/NAP/
NVP

CHB/G

MXB/G

Other G.P.
systems

PD/FAD/
PJ

CVE/
CVSE

CPE/
CPD

Medical
analysis

Custom
order

General purpose valve
Direct acting 2 port solenoid valve

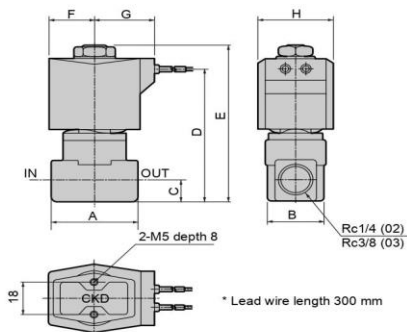


AB31/41/42 Series

Dimensions: AB41 Series

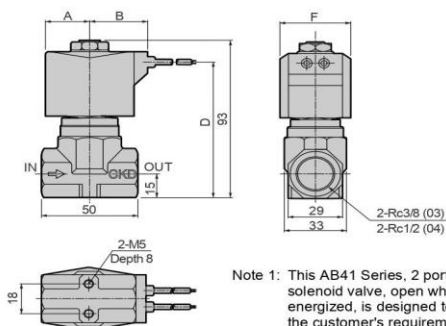


● Grommet lead wire type

AB41-02/03-1 to 7-^{*}[Blank]·[6C]

Model no.	A	B	C	D	E	F	G	H
AB41-02-1 to 6-AC	36	28	11	68	80.5	23.5	30.5	38
AB41-02-7-AC -03-1 to 7-AC	40	28	12	71	83.5	23.5	30.5	38
AB41-02-1 to 6-6C-DC	36	28	11	68	80.5	24	30.5	39
AB41-02-7-6C-DC -03-1 to 7-6C-DC	40	28	12	71	83.5	24	30.5	39

● Grommet lead wire type

AB41-03/04-8-^{*}[Blank]·[6C]

Note 1: This AB41 Series, 2 port solenoid valve, open when energized, is designed to meet the customer's requirement according to working fluid, body and seal materials, relation between flow rate and the required pressure (converted to orifice diameter and pressure), and ambient temperature and conditions (converted to coil specifications).

Note 2: The dimensions are the same for the G or NPT thread port size.

Model no.	A	B	D	F
AB41-03-8-AC -04-8-AC	23.5	30.5	80	38
AB41-03-8-6C-DC -04-8-6C-DC	24	30.5	80	38



AB31/41/42 Series

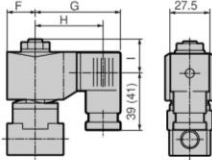
Optional dimensions: AB41 Series



* Refer to the grommet lead wire type dimensions on the left page for common dimensions.

● DIN terminal box

AB41-02/03/04-1 to 8-²

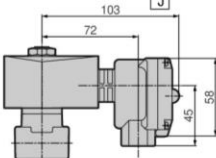


Dimensions shown in () are for G1/2.

Voltage	F	G	H	I
AC (2E/2G/2H)	23.5	65.5	54 (53.5)	22
DC (2E/2G/2H)	23.5	66	54.5 (54)	22
DC (6E/6G/6H)	24	68	56.5 (56)	22

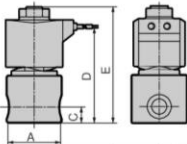
● Open frame type + HP terminal box

AB41-02/03/04-1 to 8-³



● Stainless steel body

AB41-02/03/04-1 to 8-^D

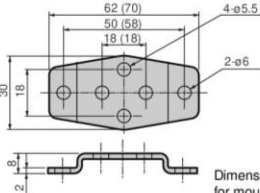


Model no.	A	C	D	E
AB41-02-1 to 6-AC	ø37.5	11	68	80.5
AB41-02-7-AC -03-1 to 7-AC	ø45.0	12	71	83.5
AB41-03-8-AC -04-8-AC	50*1	15	80	93

*1: The max. dimension is ø54.

● Mounting plate

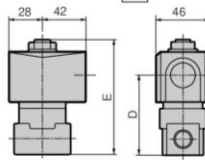
AB41-02/03/04-1 to 8-^B



Dimensions shown in () are for mounting plate No. 2.

● Open frame lead wire type

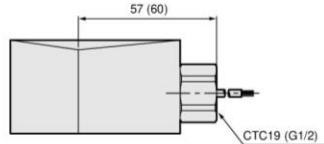
AB41-02/03/04-1 to 8-^{3A}



Model no.	D	E
AB41-02-1 to 6- ^{3A} A	52.0	80.5
AB41-02-7- ^{3A} A -03-1 to 7- ^{3A} A	55.0	83.5
AB41-03/04-8- ^{3A} A	64	93

● Open frame type + conduit

AB41-02/03/04-1 to 8-^{3A}

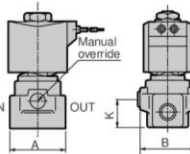


Dimensions shown in () are for G1/2.

● Manual override (locking)

AB41-02/03-1 to 7-^{***}

Figure shows the brass body.



Note: No manual override is available for AB41-03/04-8.

Model no.	A	B	K
AB41-02-1 to 6- ^{***} A	36 (ø37.5)	38	19.5
AB41-02-7- ^{***} A -03-1 to 7- ^{***} A	40 (ø45.0)	40	22.5

Dimensions shown in () are for stainless steel body.

Model no.	Applicable model
Mounting plate No. 1	● AB41-02/03-1 to 7 Series
GE-100106	● Stainless steel body
	AB41-02-1 to 6 [D/E/F/L/M/N/R/W]
Mounting plate No. 2	● AB41-03/04-8 Series
GE-100159	● Stainless steel body
	AB41-02-7 [D/E/F/L/M/N/R/W]
	AB41-03-1 to 7 [D/E/F/L/M/N/R/W]

HNB/G

USB/G

FAB/G

FGB/G

FVB

FWB/G

FHB

FLB

AB

AG

AP/AD

APK/ADK

For dry air

Explosion proof

HVB/HVL

SAB/SVB

NP/NAP/NVP

CHB/G

MXB/G

Other G.P. systems

PD/FAD/PJ

CVE/CVSE

CPE/CPD

Medical analysis

Custom order

General purpose valve

Direct acting 2 port solenoid valve



บริษัท เอดีดี เฟอร์เนส จำกัด

ADD FURNACE CO.,LTD.

44 ซอยบรมราชชนนี 70 ถนนบรมราชชนนี แขวงศาลาธรรมสพน์ เขตทวีวัฒนา กรุงเทพฯ 10170

โทร: 02-888-3472 โทร.ออกแบบ:(08-08-170-170 แฟกซ์: 02-888-3258

<https://www.add-furnace.com> E-mail: sales@add-furnace.com

AB31 / 41 / 42 Series

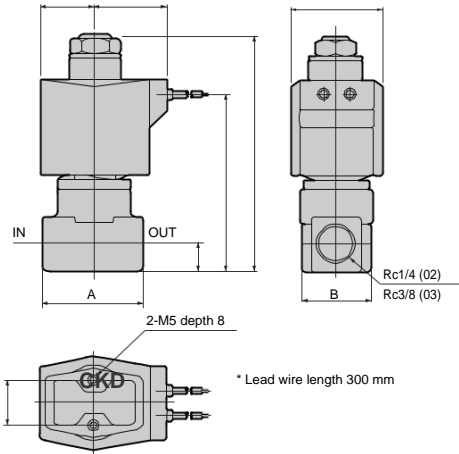
Dimensions: AB42 Series



Grommet lead wire type
AB42-02/03-1 to 7

23.5

30.5
38



<Reference> 2 port direct acting valve, closed when energized, is open when de-energized. This type is commonly used to be continuously energized. The dimensions are the same for the G or NPT thread port size.

Note 1: The dimensions are the same for the G or NPT thread port size.

Model no.	A	B	C	D	E
AB42-02-1 to 6	36	28	11	72	94
AB42-02-7	40	28	12	75	97
AB42-03-1 to 7	40	28	12	75	97



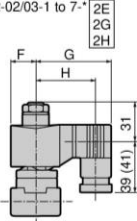
AB31/41/42 Series

Optional dimensions: AB42 Series



* Refer to the grommet lead wire type dimensions on the left page for common dimensions.

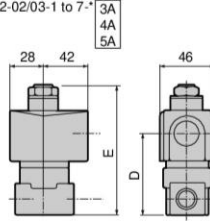
- DIN terminal box
AB42-02/03-1 to 7-*



Dimensions shown in () are for G1/2.

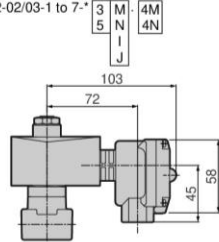
Voltage	F	G	H
AC	23.5	65.5	54 (53.5)
DC	28	72	60.5 (60)

- Open frame lead wire type
AB42-02/03-1 to 7-*

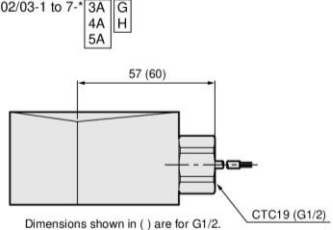


Model no.	D	E
AB42-02-1 to 6	56	94
AB42-02-7	59	97
AB42-03-1 to 7	59	97

- Open frame type + HP terminal box
AB42-02/03-1 to 7-*

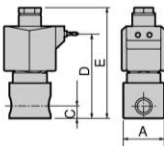


- Open frame type + conduit
AB42-02/03-1 to 7-*



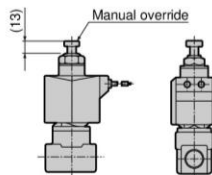
Dimensions shown in () are for G1/2.

- Stainless steel body
AB42-02/03-1 to 7-**[D/E/F/R/W/L/M/N]**

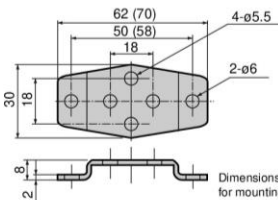


Model no.	A	C	D	E
AB42-02-1 to 6	ø37.5	11	72	94
AB42-02-7	ø45.0	12	75	97
AB42-03-1 to 7	ø45.0	12	75	97

- Manual override (locking)
AB42-02/03-1 to 7-*****[A]**



- Mounting plate
AB42-02/03-1 to 7-*****[B]**



Dimensions shown in () are for mounting plate No. 2.

Code	Applicable model
Mounting plate No. 1 GE-100106	● AB42-02/03-1 to 7 Series
	● Stainless steel body AB42-02-1 to 6- [D/E/F/L/M/N/R/W]
Mounting plate No. 2 GE-100159	● Stainless steel body AB42-02-7- [D/E/F/L/M/N/R/W]
	AB42-03-1 to 7- [D/E/F/L/M/N/R/W]

- HNB/G
- USB/G
- FAB/G
- FGB/G
- FVB
- FWB/G
- FHB
- FLB
- AB**
- AG
- AP/AD
- APK/ADK
- For dry air
- Explosion proof
- HVB/HVL
- SAB/SVB
- NP/NAP/NVP
- CHB/G
- MXB/G
- Other G.P. systems
- PD/FAD/PJ
- CVE/CVSE
- CPE/CPD
- Medical analysis
- Custom order

General purpose valve
Direct acting 2 port solenoid valve