



Data sheet

ENGINEERING
TOMORROW



Electronic Ignition Units EBI4 HP Series

Application



The EBI4 HP unit series is specially designed for applications where High Power ignition is required.

EBI4 HPM is a 2-pole version with secondary midpoint grounded. EBI HP1P is a 1-pole version for ignition between one electrode and frame.

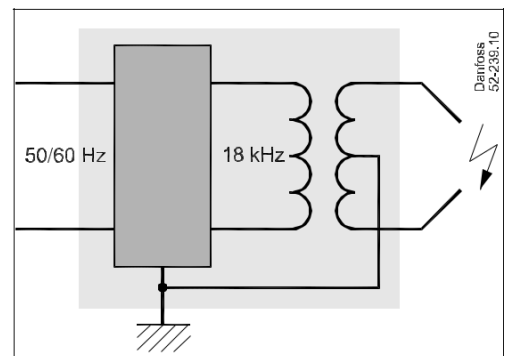
The units are characterized by a very powerful spark, capable of igniting large capacity oil and gas burners. They may also be used in applications where high ignition performance and reliability are required.

Applications and Features

- 1- or 2-pole ignition
- Low power consumption due to high efficiency (new technology)
- Earth connection through the primary cable
- Same dimensions and flexible mounting as the well-known EBI series
- marking in accordance with the directives: EMC, LVD, RoHS

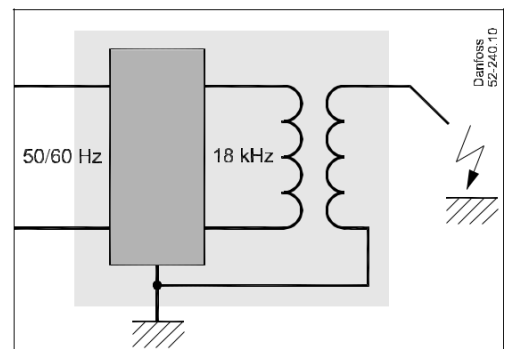
EBI4 HPM

- Oil and gas burners requiring high power ignition
- 33% ED at 60°C
- Top or front connection for secondary cables
- 230 V



EBI4 HP1P

- Oil and gas burners requiring high power ignition
- 33% ED at 60°C
- Top or front connection for secondary cables
- 230 V





บริษัท เอดีดี เฟอร์เนส จำกัด

ADD FURNACE CO.,LTD.

44 ซอยบรมราชชนนี 70 ถนนบรมราชชนนี แขวงศาลาธรรมสพน์ เขตทวีวัฒนา กรุงเทพฯ 10170

โทร: 02-888-3472 โทร(ออกเบบ.):08-08-170-170 แฟกซ์: 02-888-3258

https://www.add-furnace.com E-mail: sales@add-furnace.com

ENGINEERING
TOMORROW



Data sheet

Electronic Ignition Units EBI4 HP Series

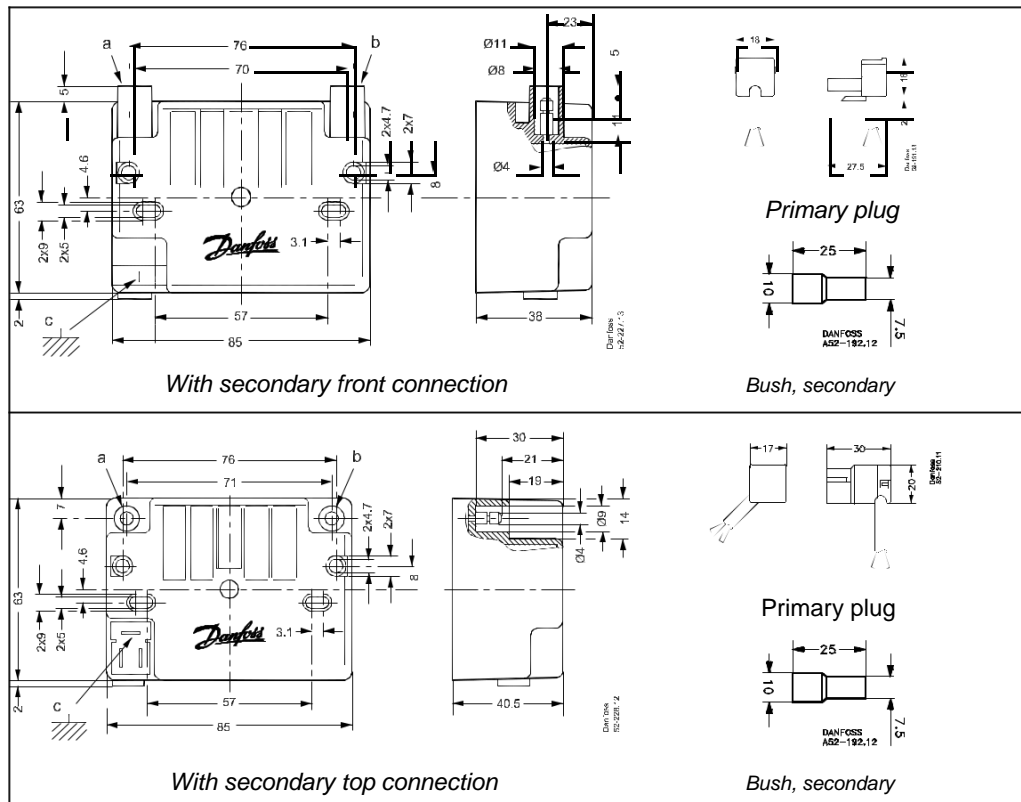
Technical data

Type	EBI4 HPM	EBI4 HP1P
Mains connection	230 V - 0.4 A - 50/60 Hz - 90 VA	
Working range	187-255 V	
Main fuse	10 A	
Secondary connection* Short circuit current (rms)	2 x 7.5 kV 48 mA	12 kV 48 mA
Frequency	18 kHz	
ED % in 3 min.	33% at 60°C	
Ambient temperature	-10 to +60°C	
Storage temperature	-25 to +85°C	
Enclosure	IP 40	
Primary connection	3 x 0.5 mm ² cable with special plug 3 x 0.75 mm ² cable with standard AMP connection	
Secondary connections	2 x Ø4 mm plugs	1 x Ø4 mm plugs
Earthing	Through the primary cable	
Distance between electrodes	Recommended 2.5 mm to 5 mm	
Weight	300 g	

* Avoid use of divergent electrodes due to risk of electrical cable break down and too high ignition voltage.

Dimensions and connections

EBI4 HPM	EBI4 HP1P	a: Left terminal b: Right terminal c: Earth connection
a+b+c	b+c	



Additional documentation on burner components is available on <http://heating.danfoss.com/>