

Gas and air filter

GF/1: Rp 1/2 - Rp 2 GF/3: DN 40

GF/4: DN 50 - DN 100

GF:DN 125 - DN 200



Technical description

Filter for interior gas lines as per DIN 3386 with high dust storage capacity.

GF/1: Threaded connection as per ISO 7/1.

GF/3, GF/4 and GF: Flange connection as per DIN EN 1092-1.

Max. flow velocity: 20 m/s.

Installation option for pressure measurement point for filter monitoring.

Application

Type GF/1, GF/3, GF/4 and GF gas **and air filter for protecting downstream fittings. Filter suitable for gases of families 1,2,3 and other neutral gaseous media.**

Approvals

EC type testing certificate as per:

- EC-Gas Appliances Regulation
- **EC-Pressure Equipment Directive**

Approvals in other important gas consuming countries.

Specifications - Threaded version

Nominal diameter	DN 15 Rp 1/2 as per ISO 7/1	DN 20 Rp 3/4	DN 25 Rp 1	DN 40 Rp 1 1/2	DN 50 Rp 2
Max. operating pressure	GF 5.../1 GF 40.../1	0.5 bar (50 kPa) 4.0 bar (400 kPa)			
Max. flow velocity	≤ 20 m/s				
Ambient temperature	-15 °C to +80 °C				
Pore width of filter element	≤ 50 μm				
Measuring/ignition gas connection	GF 5.../1: G 1/4 screw connection as per DIN ISO 228 upstream and downstream of filter element, on housing cover GF 40.../1: G 1/4 screw plugs as per DIN ISO 228 upstream and downstream of filter element, on housing cover				
Materials	Housing Seals Random laid nonwoven fabric Filter holder	aluminium cast NBR PP, PE POM			
Installation position	Any, preferred position: with cap vertical				

Functional description

Filter designed for installation in interior gas lines and compressed air lines to protect downstream fittings. Filter element made of random laid nonwoven polypropylene fabric and metal support frame with pore width of 50 μm.

Dust, chips and rust as well as other physical gas-accompanying materials and fouling are retained using the random laid nonwoven fabric.

If the dust storage capacity is exceeded or if there is an excessive pressure difference, the filter loses its protective function.

Installation

Refer to gas flow direction indicated by arrow on filter housing.

Provide sufficient space for changing the filter element.

If the filter cap is mounted in vertical position, it is easier to clean the filter housing.

After installation, perform leak test.

⚠ Avoid direct contact between hardening masonry, concrete walls, floors and filter.

Change filter element

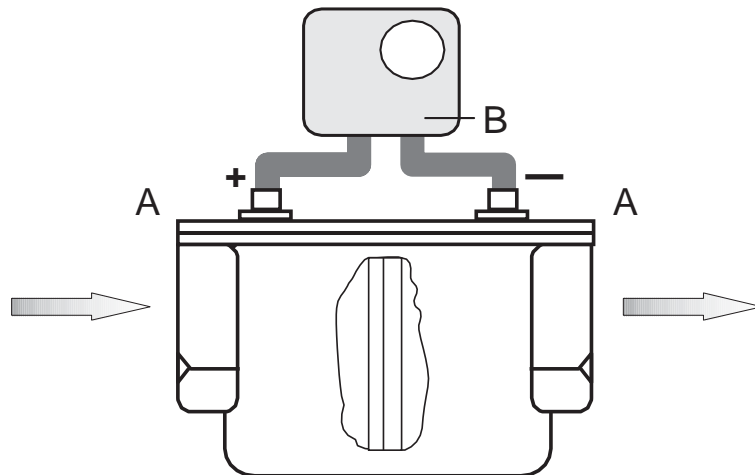
- At least once a year
- If pressure difference has increased by 100% compared to new filter
- When pressure difference exceeds 50 mbar

Filter monitoring

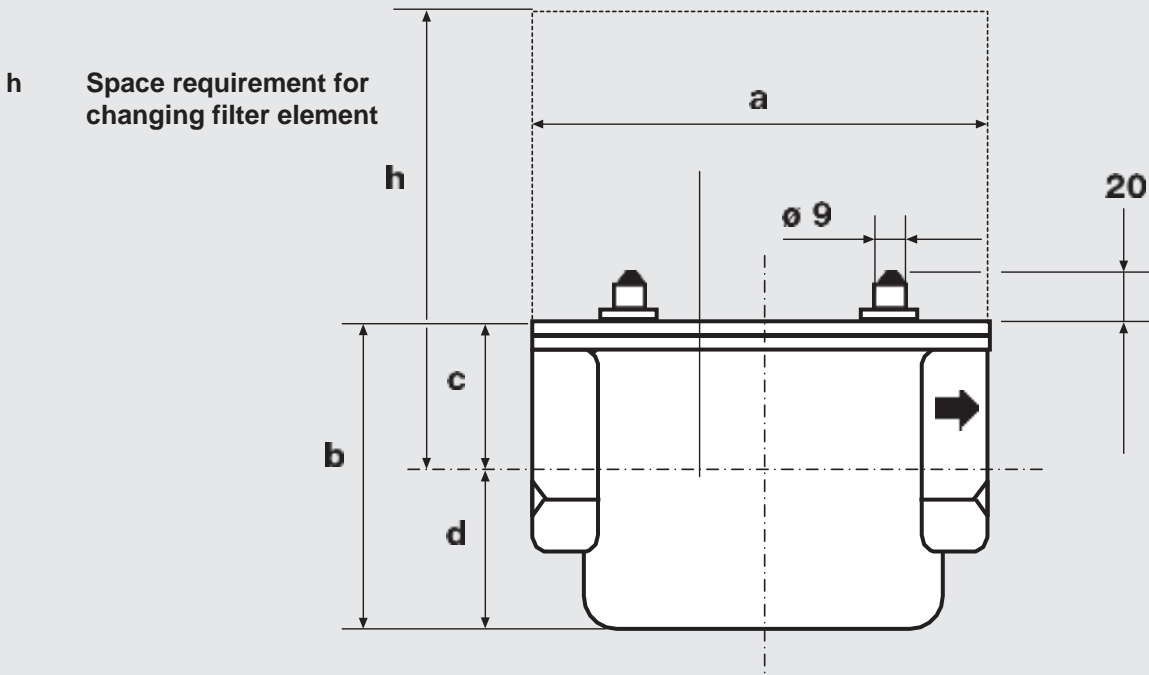
GF 5.../1: The G 1/4 screw plugs can be replaced by suitable screw connections. Connect an gas differential pressure switch to monitor the pressure difference.

Gas filter with differential pressure switch

- A** G 1/4 screw connection **only** GF 5.../1
- B** Differential pressure switch for gas



Dimensions (mm) - Threaded version



Type	Order No.	Max. operating pressure [bar]	connection Rp	Design	Dimensions [mm]					Weight [kg]
					a	b	c	d	h	
GF 505/1	066 191	0.5	Rp 1/2	MS	120	90	35	55	125	0.7
GF 507/1	066 209	0.5	Rp 3/4	MS	120	90	35	55	125	0.7
GF 510/1	066 217	0.5	Rp 1	MS	160	105	54	51	159	1.1
GF 515/1	066 225	0.5	RP 1 1/2	MS	160	105	54	51	159	1.1
GF 520/1	066 233	0.5	Rp 2	MS	186	140	75	65	215	1.9
GF 4005/1	228 073	4.0	Rp 1/2	VS	120	90	35	55	125	0.7
GF 4007/1	228 074	4.0	Rp 3/4	VS	120	90	35	55	125	0.7
GF 4010/1	228 075	4.0	Rp 1	VS	160	105	54	51	159	1.1
GF 4015/1	228 076	4.0	Rp 1 1/2	VS	160	105	54	51	159	1.1
GF 4020/1	228 077	4.0	Rp 2	VS	186	140	75	65	215	1.9

MS = screw connection

VS = screw plug

Specifications - Flanged version

Nominal flange size	DN 40 DN 50 DN 65 DN 80 DN 100 DN 125 DN 150 DN 200 Flange connection as per DIN EN 1092-1								
Max. operating pressure	4.0bar (400kPa)								
Max. flow velocity	≤20m/s								
Ambient temperature	-15 °C to +80 °C								
Pore width of filter element	≤ 50 µm								
Measuring gas connection	G1/4 screw plugs as per DIN ISO 228 upstream and downstream of filter element, on left of housing								
Materials	<table border="0"> <tr> <td>Housing</td> <td>aluminium cast</td> </tr> <tr> <td>Seals</td> <td>NBR</td> </tr> <tr> <td>Random laid nonwoven fabric</td> <td>PP</td> </tr> <tr> <td>Support frame</td> <td>Stainless steel</td> </tr> </table>	Housing	aluminium cast	Seals	NBR	Random laid nonwoven fabric	PP	Support frame	Stainless steel
Housing	aluminium cast								
Seals	NBR								
Random laid nonwoven fabric	PP								
Support frame	Stainless steel								
Installation position	Any, preferred position: with cap vertical								

Functional description

Filter designed for installation in interior gas lines and compressed air lines to protect downstream fittings. Filter element made of random laid nonwoven polypropylene fabric and metal support frame with pore width of 50

Dust, chips and rust as well as other physical gas-accompanying materials and fouling are retained by the random laid nonwoven fabric.

If the dust storage capacity is exceeded or if there is an excessive pressure difference, the filter loses its protective function.

Installation

Refer to gas flow direction indicated by arrow on filter housing.

Provide sufficient space for changing the filter element.

If the filter cap is mounted in vertical position, it is easy to clean the filter housing.

After installation, perform leak test.

Important: Avoid direct contact between hardening masonry, concrete walls, floors and filter.

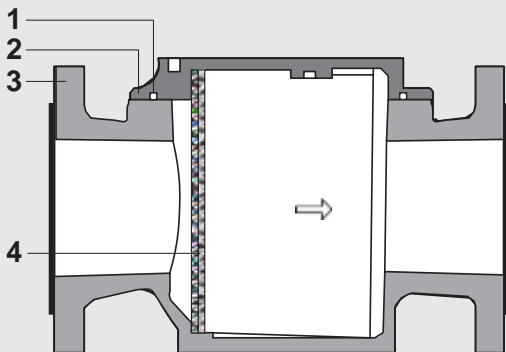
Change filter element

- At least once a year
- If pressure difference has increased by 100% compared to new filter
- When pressure difference exceeds 50 mbar

Filter monitoring The G1/4 screw plugs can be replaced with suitable screw connections. This permits the connection of an gas differential pressure switch to monitor pressure difference.

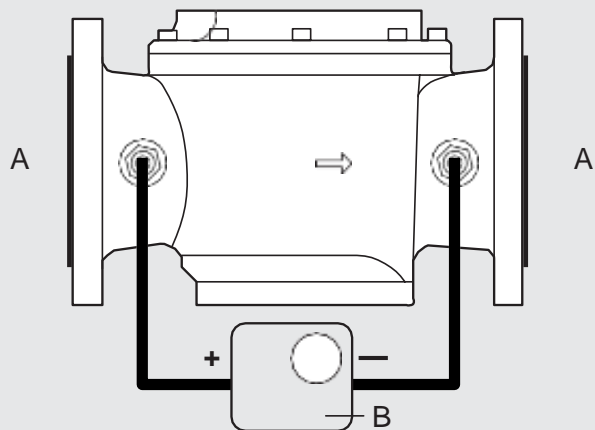
GF .../3, GF .../4 gas filter section

- 1 O ring
- 2 **Cover**
- 3 Housing
- 4 **Filter element**



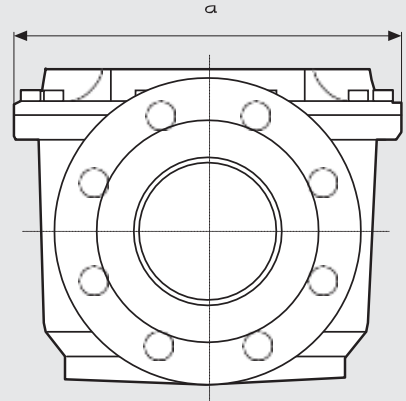
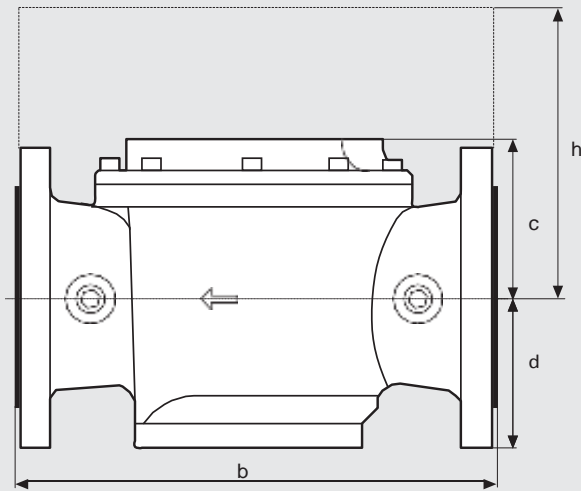
Filter monitor

- A **Measurement connection**
- B **Differential pressure switch for gas**

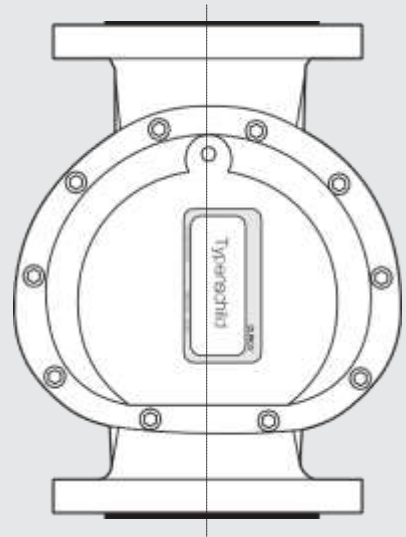




Dimensions (mm) - Flanged version



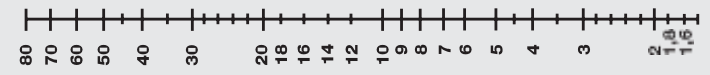
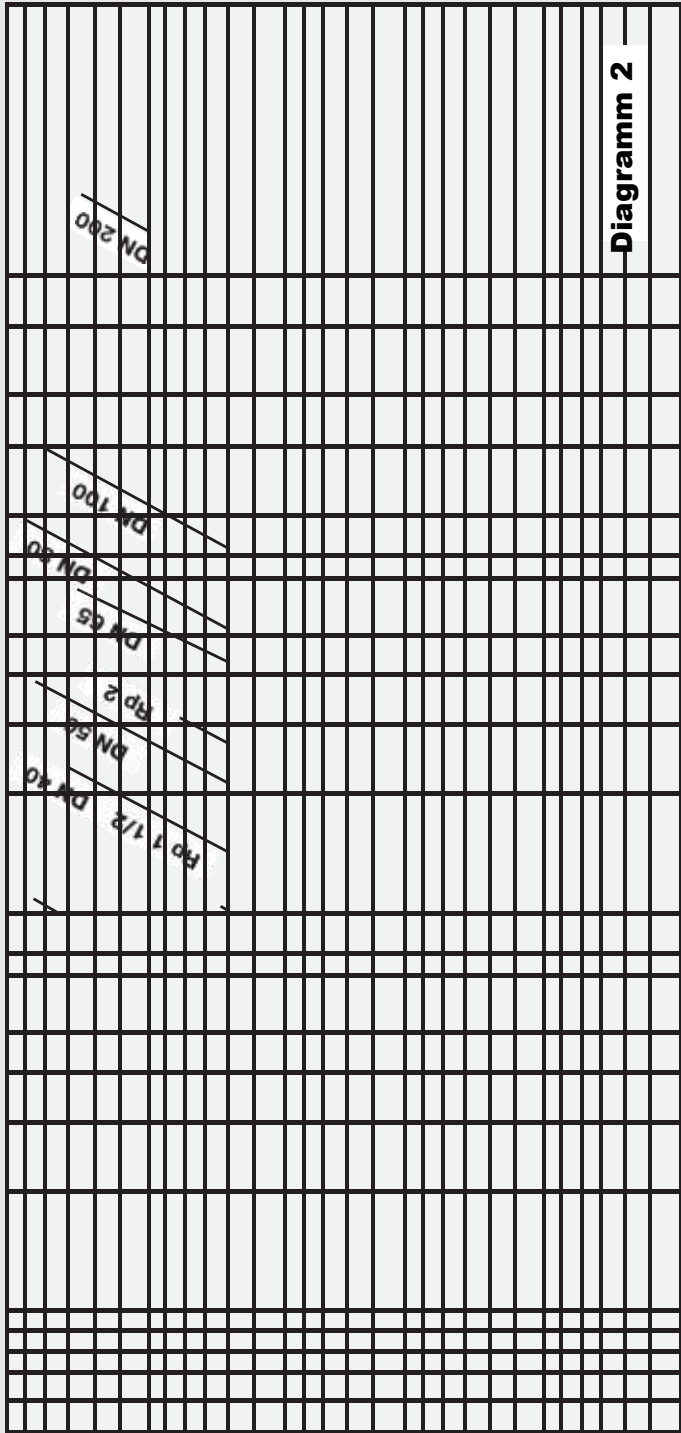
h Space requirement for changing filter element



Type	Order No.	Max. operating pressure [bar]	DN connection	Dimensions [mm]					Weight [kg]
				a	b	c	d	h	
GF 40040/3	222 637	4.0	DN 40	132	195	49	47	96	2.8
GF 40050/4	256 408	4.0	DN 50	170	220	76	60	119	4.1
GF 40065/4	256 409	4.0	DN 65	194	252 95	93	188		6.0
GF 40080/4	256 410	4.0	DN 80	236	300	103	107	206	8.3
GF 40100/4	256 411	4.0	DN 100	282	352	119	111	229	12.3
GF 40125	218 162	4.0	DN 125	281	360	182	183	365	19.5
GF 40150	218 163	4.0	DN 150	281	385 257 259 516				25.5
GF 40200	218 164	4.0	DN 200	388	455	236	239	475	40.0

Volumetric flow/pressure drop characteristic

Pressure loss Δp [mbar] for natural gas ($dv = 0,64$)



Pressure loss Δp [mbar] for air ($dv = 1$)

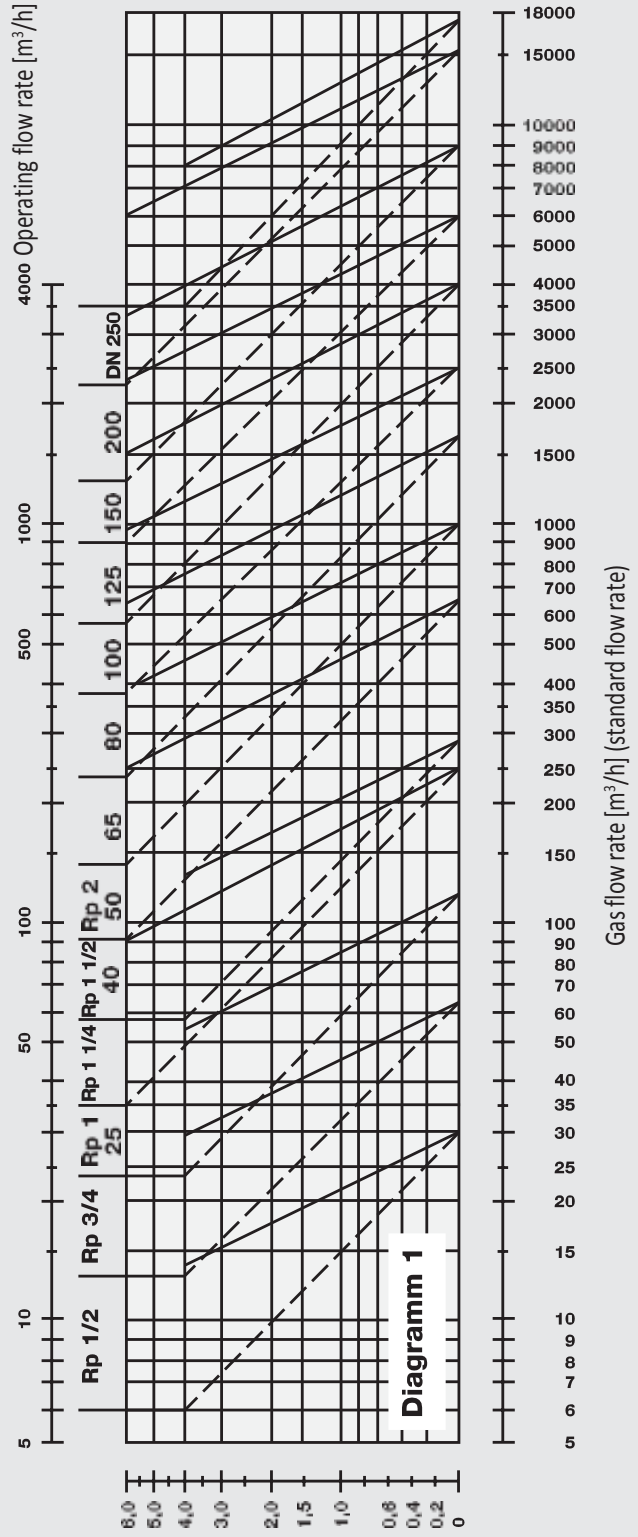


Diagram 1

- Determining the nominal diameter
- Conversion of the flow rate from standard flow rate to operating flow rate.

Diagram 2

- Determining the pressure loss (Δp).

Procedure

Determining the filter size

- 1.1 Define the flow rate as a standard flow rate on the lower scale.
- 1.2 Draw a parallel reference line along the diagonal dashed line up to the actual inlet pressure.
- 1.3 You will find region for minimum filter size vertically above this point of intersection. You can read the corresponding flow rate from the scale above.

Procedure

Determining the pressure loss

- 2.1 Define the flow rate as a standard flow rate on the lower scale.
- 2.2 Draw a parallel reference line along the diagonal solid line up to the actual inlet pressure.
- 2.3 Go from this point of intersection vertically upwards to diagram 2. The pressure loss for gas and air can be read at the point of intersection with the characteristic curve for the previously determined filter size.

All specified values refer to filter mats in new condition.

The pressure loss for other gases can be estimated from the value valid for air by multiplying this value with the density ratio.

Example

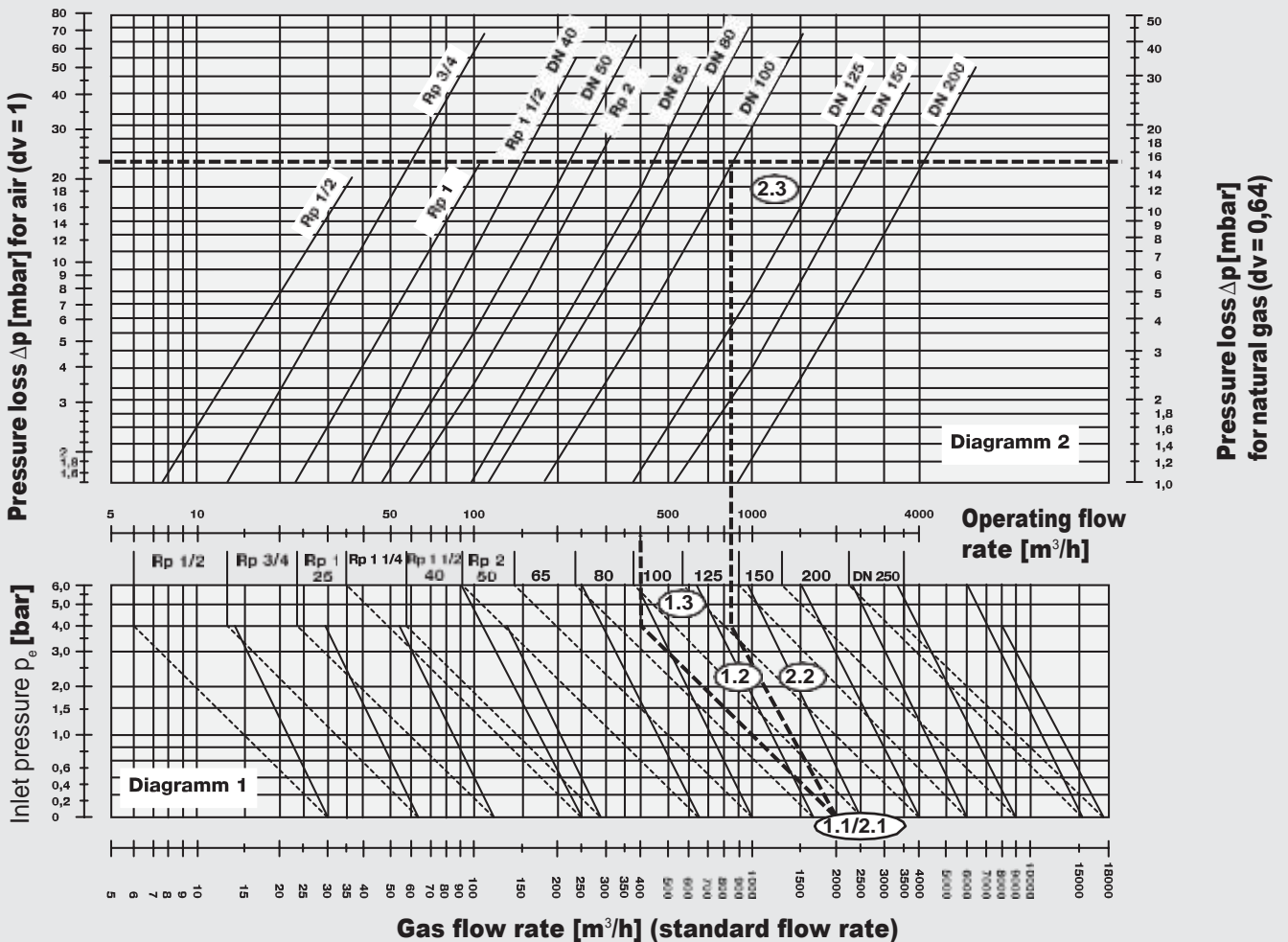
Determining the filter size

- 1.1 Flow rate (standard flow rate) 2,000 m³/h
- 1.2 Inlet pressure 4 bar
- 1.3 Determining the filter size: min. DN100, Determining the flow rate: 400

Determining the pressure loss

- 2.1 Flow rate (standard flow rate) 2,000 m³/h
- 2.2 Inlet pressure 4 bar
- 2.3 Determining the pressure loss for gas: $\Delta p = 15$ mbar
 Determining the pressure loss for air: $\Delta p = 23$ mbar

Example





44 ซ.บรมราชชนนี 70 ถ.บรมราชชนนี ศาลาธรรมสพน์ ทวีวัฒนา กทม. 10170.
website: <https://www.add-furnace.com/> โทร: 02-888-3472
Line ID: @add11 e-mail: add028883472@gmail.com