



FUEL SHUT-OFF DEVICES CHAPTER 1.2

AIR/GAS RATIO CONTROL VALVES

GAVR

Air/gas ratio control valve with max. inlet pressure of 200mbar. Max. air inlet pressure 120mbar. Ratio 1:1. Adjustable minimum flow rate. Suitable for manufactured gas, natural gas, liquefied petroleum gas (LPG), non-aggressive gas and air. Operating temperature range: -10÷60°C.

Type	Part Number	Conne- tion	Description	Q.ty/Box	Box/ Carton
GAVR15	020.0001.101	1/2"	outlet pressure 2-120 mbar	1	1
GAVR20	020.0001.101	3/4"	outlet pressure 2-120 mbar	1	1
GAVR25	020.0003.101	1"	outlet pressure 2-120 mbar	1	1
GAVR32	020.0004.101	1.1/4"	outlet pressure 2-120 mbar	1	1
GAVR40	020.0005.101	1.1/2"	outlet pressure 2-120 mbar	1	1
GAVR50/40	020.0016.101	2"	outlet pressure 2-120 mbar	1	1
GAVR50	020.0006.101	2"	outlet pressure 2-120 mbar	1	1

VRGA

Air/gas ratio control valve with max. inlet pressure of 200mbar. Max. air inlet pressure 120mbar. Ratio 1:1. Adjustable minimum flow rate. Suitable for manufactured gas, natural gas, liquefied petroleum gas (LPG), non-aggressive gas and air. Operating temperature range: -10÷60°C

Type	Part Number	Conne- tion	Description	Q.ty/Box	Box/ Carton
VRGA65	020.0007.101	DN65	outlet pressure 2-120 mbar	1	1
VRGA80	020.0008.101	DN80	outlet pressure 2-120 mbar	1	1
VRGA100	020.0009.001	DN100	outlet pressure 2-120 mbar	1	1

PARTS KIT

Type	Part Number	Gas governor	Description	Q.ty/Box	Box/ Carton
3306	014.0148.000	GAVR 15 - 20 - 25	Revision components kit	1	1
3307	014.0149.000	GAVR 32 - 40 - 50/40	Revision components kit	1	1
3303	014.0145.000	GAVR 50	Revision components kit	1	1
3304	014.0146.000	VRGA 65 - 80	Revision components kit	1	1
3305	014.0147.000	VRGA 100	Revision components kit	1	1



บริษัท เอดีดี เฟอร์เนส จำกัด

ADD FURNACE CO.,LTD.

44 ซอยบรมราชชนนี 70 ถนนบรมราชชนนี แขวงศาลาธรรมสพน์ เขตทวีวัฒนา กรุงเทพฯ 10170

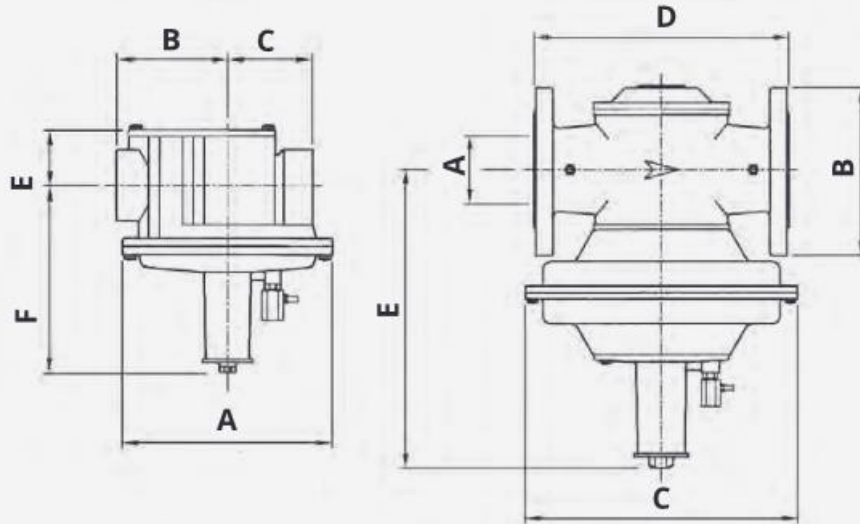
โทร: 02-888-3472 โทร: ออกแบบ:08-08-170-170 แฟกซ์: 02-888-3258

<https://www.add-furnace.com> E-mail: sales@add-furnace.com

CHAPTER 1.2 DEVICES FOR GAS

OVERALL DIMENSIONS

VRGA-GAVR



Type	Connections	A	B	C	D	E	F
GAVR 15	Rp 1/2" UNI ISO 7/1						
GAVR 20	Rp 3/4" UNI ISO 7/1	146	73	58	-	38	138
GAVR 25	Rp 1" UNI ISO 7/1						
GAVR 32	Rp 1*1/4 UNI ISO 7/1	194	98	80	-	52	179
GAVR 40	Rp 1*1/2 UNI ISO 7/1						
GAVR 50/40	Rp 2" UNI ISO 7/1	260	135	85	-	65	250
GAVR 50	Rp 2" UNI ISO 7/1						
VRGA 65	DN 65 PN 16	DN65	185	320	300	340	-
VRGA 80	DN 80 PN 16	DN80	200	320	300	340	-
VRGA 100	DN 100 PN 16	DN100	220	370	360	410	-