



## CHAPTER 1.2 DEVICES FOR GAS

### PRESSURE REGULATORS, 4 BAR

#### ST4B

Aluminium pressure regulator to EN 88-1. Max. inlet pressure 4 bar. Max. outlet pressure 450 mbar. Closure control. Suitable for manufactured gas, natural gas, liquefied petroleum gas (LPG), non-aggressive gas and air. Operating temperature range: -15÷60°C.



Type	Part Number	Conne- tion	Description	Q.ty/ Box	Box/ Carton
ST4B20	009.0351.001	3/4"	With neutral spring 10-25 mbar	1	1
ST4B20	009.0351.002	3/4"	With violet spring 20-70 mbar	1	1
ST4B20	009.0351.003	3/4"	With brown spring 65-120 mbar	1	1
ST4B20	009.0351.004	3/4"	With white spring 110- 230 mbar	1	1
ST4B20	009.0351.005	3/4"	With black spring 220- 340 mbar	1	1
ST4B20	009.0351.006	3/4"	With orange spring 330- 450mba	1	1
ST4B25	009.0352.001	1"	With neutral spring 10-25 mbar	1	1
ST4B25	009.0352.002	1"	With neutral spring 10-25 mbar	1	1
ST4B25	009.0352.003	1"	With brown spring 65-120 mbar	1	1
ST4B25	009.0352.004	1"	With white spring 110- 230 mbar	1	1
ST4B25	009.0352.005	1"	With black spring 220- 340 mbar	1	1
ST4B25	009.0352.006	1"	With orange spring 330- 450mba	1	1
ST4B32	009.0353.001	1.1/4"	With neutral spring 10-25 mbar	1	1
ST4B32	009.0353.002	1.1/4"	With violet spring 20-70 mbar	1	1
ST4B32	009.0353.003	1.1/4"	With brown spring 65-120 mbar	1	1
ST4B32	009.0353.004	1.1/4"	With white spring 110- 230 mbar	1	1
ST4B32	009.0353.005	1.1/4"	With black spring 220- 340 mbar	1	1
ST4B32	009.0353.006	1.1/4"	With orange spring 330- 450mba	1	1
ST4B40	009.0354.001	1.1/2"	With neutral spring 10-25 mbar	1	1
ST4B40	009.0354.002	1.1/2"	With violet spring 20-70 mbar	1	1
ST4B40	009.0354.003	1.1/2"	With brown spring 65-120 mbar	1	1
ST4B40	009.0354.004	1.1/2"	With white spring 110- 230 mbar	1	1
ST4B40	009.0354.005	1.1/2"	With black spring 220- 340 mbar	1	1
ST4B40	009.0354.006	1.1/2"	With orange spring 330- 450mba	1	1
ST4B50	009.0355.001	2"	With neutral spring 10-25 mbar	1	1
ST4B50	009.0355.002	2"	With violet spring 20-70 mbar	1	1
ST4B50	009.0355.003	2"	With brown spring 65-120 mbar	1	1
ST4B50	009.0355.004	2"	With white spring 110- 230 mbar	1	1
ST4B50	009.0355.005	2"	With black spring 220- 340 mbar	1	1
ST4B50	009.0355.006	2"	With orange spring 330- 450mba	1	1



บริษัท เอดีดี เฟอร์เนส จำกัด

**ADD FURNACE CO.,LTD.**

44 ซอยบรมราชชนนี 70 ถนนบรมราชชนนี แขวงศาลาธรรมสพน์ เขตทวีวัฒนา กรุงเทพฯ 10170

โทร: 02-888-3472 โทร: ออกแบบ:08-08-170-170 แฟกซ์: 02-888-3258

<https://www.add-furnace.com> E-mail: [sales@add-furnace.com](mailto:sales@add-furnace.com)

## ST4B..BM

Aluminium pressure regulator with maximum pressure shut-off valve, to EN 88-1.  
Max. inlet pressure 4 bar. Max. outlet pressure 450 mbar. Closure control. Suitable for manufactured gas, natural gas, liquefied petroleum gas (LPG), non-aggressive gas and air. Operating temperature range: -15÷60°C.

Type	Part Number	Conne- tion	Description	Q.ty/ Box	Box/ Carton
ST4B20BM	009.0361.001	3/4"	With neutral spring 10-25 mbar	1	1
ST4B20BM	009.0361.002	3/4"	With violet spring 20-70 mbar	1	1
ST4B20BM	009.0361.003	3/4"	With brown spring 65-120 mbar	1	1
ST4B20BM	009.0361.004	3/4"	With white spring 110- 230 mbar	1	1
ST4B20BM	009.0361.005	3/4"	With black spring 220- 340 mbar	1	1
ST4B20BM	009.0361.006	3/4"	With orange spring 330- 450mbar	1	1
ST4B25BM	009.0362.001	1"	With neutral spring 10-25 mbar	1	1
ST4B25BM	009.0362.002	1"	With neutral spring 10-25 mbar	1	1
ST4B25BM	009.0362.003	1"	With brown spring 65-120 mbar	1	1
ST4B25BM	009.0362.004	1"	With white spring 110- 230 mbar	1	1
ST4B25BM	009.0362.005	1"	With black spring 220- 340 mbar	1	1
ST4B25BM	009.0362.006	1"	With orange spring 330- 450mbar	1	1
ST4B32BM	009.0363.001	1.1/4"	With neutral spring 10-25 mbar	1	1
ST4B32BM	009.0363.002	1.1/4"	With violet spring 20-70 mbar	1	1
ST4B32BM	009.0363.003	1.1/4"	With brown spring 65-120 mbar	1	1
ST4B32BM	009.0363.004	1.1/4"	With white spring 110- 230 mbar	1	1
ST4B32BM	009.0363.005	1.1/4"	With black spring 220- 340 mbar	1	1
ST4B32BM	009.0363.006	1.1/4"	With orange spring 330- 450mbar	1	1
ST4B40BM	009.0364.001	1.1/2"	With neutral spring 10-25 mbar	1	1
ST4B40BM	009.0364.002	1.1/2"	With violet spring 20-70 mbar	1	1
ST4B40BM	009.0364.003	1.1/2"	With brown spring 65-120 mbar	1	1
ST4B40BM	009.0364.004	1.1/2"	With white spring 110- 230 mbar	1	1
ST4B40BM	009.0364.005	1.1/2"	With black spring 220- 340 mbar	1	1
ST4B40BM	009.0364.006	1.1/2"	With orange spring 330- 450mbar	1	1
ST4B50BM	009.0365.001	2"	With neutral spring 10-25 mbar	1	1
ST4B50BM	009.0365.002	2"	With violet spring 20-70 mbar	1	1
ST4B50BM	009.0365.003	2"	With brown spring 65-120 mbar	1	1
ST4B50BM	009.0365.004	2"	With white spring 110- 230 mbar	1	1
ST4B50BM	009.0365.005	2"	With black spring 220- 340 mbar	1	1
ST4B50BM	009.0365.006	2"	With orange spring 330- 450mbar	1	1





บริษัท เอดีดี เฟอร์เนส จำกัด

**ADD FURNACE CO.,LTD.**

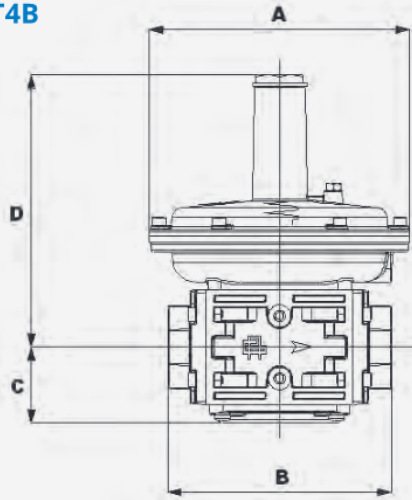
44 ซอยบรมราชชนนี 70 ถนนบรมราชชนนี แขวงศาลาธรรมสพน์ เขตทวีวัฒนา กรุงเทพฯ 10170

โทร: 02-888-3472 โทร: ออกแบบ:08-08-170-170 แฟกซ์: 02-888-3258

<https://www.add-furnace.com> E-mail: [sales@add-furnace.com](mailto:sales@add-furnace.com)

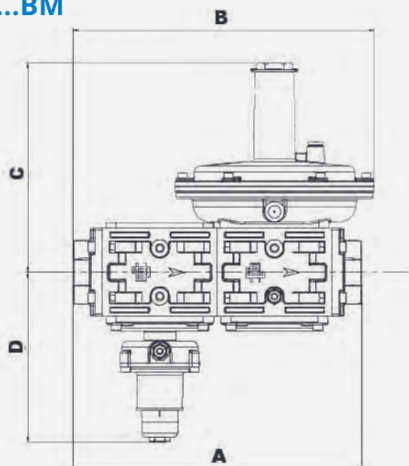
## OVERALL DIMENSIONS

### ST4B



Model Connections		A	B	C	D	
ST4B20	Rp 3/4" UNI-ISO 7/1		195	126	38	190
ST4B25	Rp 1" UNI-ISO 7/1					
ST4B32	Rp 1.1/4" UNI-ISO 7/1		195	167	57	205
ST4B40	Rp 1.1/2" UNI-ISO 7/1					
ST4B50	Rp 2" UNI-ISO 7/1		260	195	62	262

### ST4B...BM



Model Connections		A	B	C	D	
ST4B20BM	Rp 3/4" UNI-ISO 7/1		200	234	190	123
ST4B25BM	Rp 1" UNI-ISO 7/1					
ST4B32BM	Rp 1.1/4" UNI-ISO 7/1		282	294	204	146
ST4B40BM	Rp 1.1/2" UNI-ISO 7/1					
ST4B50BM	Rp 2" UNI-ISO 7/1		326	360	262	150

#### TECHNICAL NOTE

(\*) G1/4" connection to be connected downstream of the regulator.