



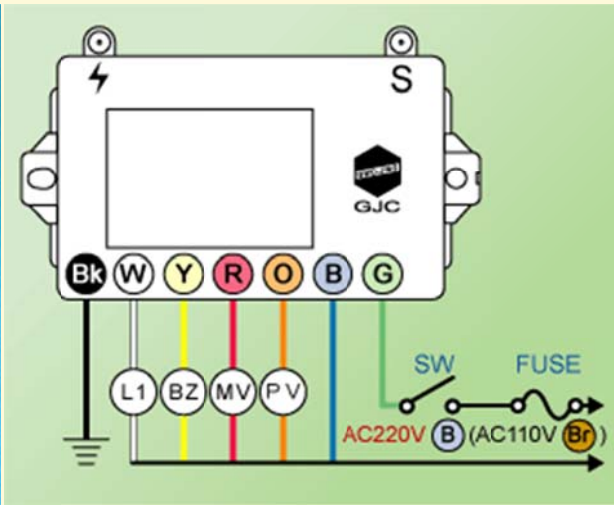
บริษัท เอบีบี เฟอร์เนส จำกัด ABB FURNACE CO.,LTD.

129/15, ม.17 ถนนพุทธมณฑลสาย 2 ซอย 36 เขต ทวีวัฒนา แขวง ศาลาธรรมสพ กทม. 10170.

Mobile:08-08-170-170 Tel:02-885-2558 Fax:02-885-2558

http://www.abb-furnace.com E-mail:sales@abb-furnace.com

GAS IGNITER type:GJ-502C (GJ-501) IGNITER



IGNITER SIZE

- Length: 127mm
- Width: 75mm
- Height: 42mm
- Weight: 452 grams

WIRES DIRECTION

1. HV: High voltage output wire for igniting. (Bigger 5mm red wire)
2. S: Flame sensor wire. (Bigger 5mm black wire)
3. Green: Power input wire. (controlled by power switch)
4. Blue: Power input wire (common line) [Brown: Power input wire. AC-110V(common line)]
5. Orange / Blue [Brown]: PV Motor Fire (smaller fire). Solenoid.
6. Red / Blue [Brown]: MV Main Fire (bigger fire). Solenoid.
7. White / Blue [Brown]: L1 Igniting Pilot Light
8. Yellow / Blue [Brown]: BZ Alarm (Caution Pilot Light)
9. Black: Earth wire .

SPECIFICATION AND FUNCTION

1. Input voltage: AC-220V~240V, 50/60Hz. [AC-110V~120V, 50~60HZ.]
2. Output high voltage for igniting: 16~18KV.
3. The Main Fire (smaller fire) Solenoid should be at working condition while ignition.
4. When the Mother Fire is burning, the igniting action will be stopped accordingly and the Main Fire (Bigger fire) Solenoid will work this moment consequently to make this bas burner burning.
5. The Main Fire (bigger fire) Solenoid will be shut itself immediately if the gas burning extinguished unexpectedly. Then the igniting action will start gain to ignite the Mother Fire.
6. Both the Igniting Pilot Light and Burning Pilot Light will follow on or off in accordance with their own operation, controlled by the Main Fire (bigger fire) Solenoid.



บริษัท เอบีบี เฟอร์เนส จำกัด
ABB FURNACE CO.,LTD.

129/15, ม.17 ถนนพุทธมณฑลสาย 2 ซอย 36 เขต ทวีวัฒนา แขวง ศาลาธรรมสพ กทม. 10170.

Mobile:08-08-170-170 Tel:02-885-2558 Fax:02-885-2558

<http://www.abb-furnace.com> E-mail: sales@abb-furnace.com

7. Both the Mother Fire and Main Fire Solenoids should be shut themselves and warning if the igniting time is more than 12 seconds (approx.). May have an Alarm device or a Caution Pilot Light to show the warning condition.
8. This Igniter can match the Temperature Controller together to make an excellent automatic temperature control.

FITTING GUID

1. The High voltage wire for igniting and the Flame sensor wire must be connected with the Igniting Rod and the Flame Sensor Rod.
2. Both the high voltage wire and Flame sensor wire should keep clean and dry to prevent from poor insulation or ELECTRICAL leakage.
3. Both the Igniting Rod and Flame sensor wire should keep clean and dry to prevent from poor insulation or ELECTRICAL leakage.
4. Both the Igniting Rod and Flame Sensor Rod are prohibited to ignite themselves same time, or should spoil the circuit of sensor system.
5. The Flame Sensor Rod and flame must have proper match to assure of a perfect burning, so the flame if waved, floated or unsteady is not allowed.
6. The earth wire of the Igniter must have good access direct to the ground.
7. The heated temperature of high voltage igniting wire is not allowed more than 100degree Celsius. (The maximum temperature for the wire material is 160degree Celsius.)
8. The ambient temperature for fitting the Igniter should be less than 50degree Celsius. The best distance between the igniting rod and the nozzle of Gas Burner is 3.5~5mm.
9. The Igniter is available for the small fire Gas Burner with LPG or city gas. The Gas Burner must have a Blower to blast air mixed with gas.