

Compact Flame Scanner F200K / F200K Ex-II (Ex-Zone 2).

Technical data



Compact flame scanner F200K and F200K EX-Zone 2

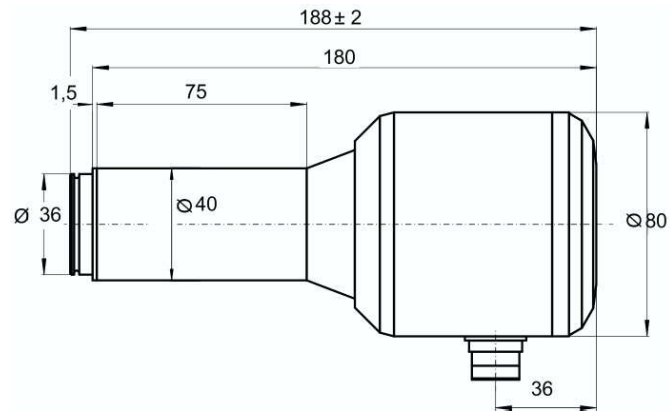


Compact flame scanner F200K and F200K Ex-Zone 2 threaded connection version

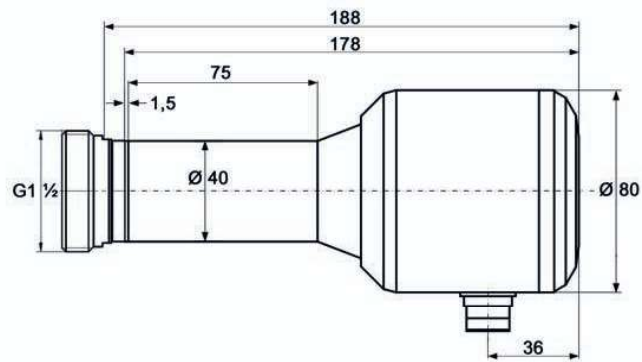
Item number	659R60 ...	Dimensions [mm]	L=180 Ø=40/80
Application	Monitoring of single burner and multi-burner combustion systems	Material	Corrosion-resistant aluminium EN AW 6082 (seawater 2*; weather 1*)
Power supply voltage	24 VDC ± 20 % ≤ 4.0 W	Weight [kg]	0.6
Flame and fault contact	≤ 42 VDC, ≥ 6 VAC/DC ≤ 0.5 A, ≥ 1.0 mA floating	Protection class	IP66/67 Ex Zone 2
Sensor type	UV-2 (ExI, ExII), IR-1 (ExI, ExII), IR-2 (no Ex)	Operating temperature	Ex Zone 2: - 40 °C...+ 75 °C (UV-2, IR-2) - 40 °C...+ 60 °C (IR-1)
Operating mode	Continuous operation	Ex Zone 2	Ex II 3G, Zone 2// Ex II 3D Zone 22 Ex nA nC IIC T6..T5 Gc X// Ex tc IIIC T85°C Dc X
Analogue output	0/4 ... 20 mA, Load 200 Ohm	Suitable Brackets	Plug-in variant: FH30 FH40 Threaded connection variant FV30 FV40
Cable lengths	max. 250 m Maximum extension over the 3 m of connecting cable at a power supply voltage of 20.5 V	Approval	SIL3

* Comparative evaluation from 1 (very good) to 6 (not suitable)

Compact Flame Scanner F200K / F200K Ex-II (Ex-Zone 2)



Dimensional drawing flame scanner F200K



Dimensional drawing flame scanner F200K threaded connection version

Compact Flame Scanner F200K (Ex-Zone 1).

Technical data



Compact flame scanner F200K Ex-Zone 1

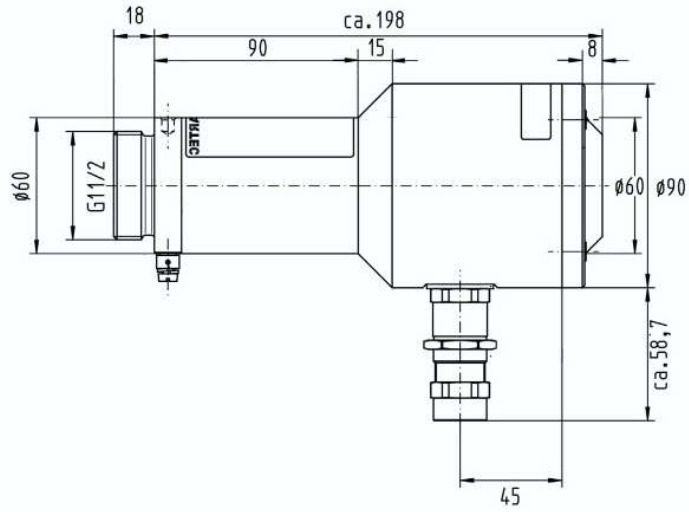


Compact flame scanner F200K Ex-Zone 1 with junction box

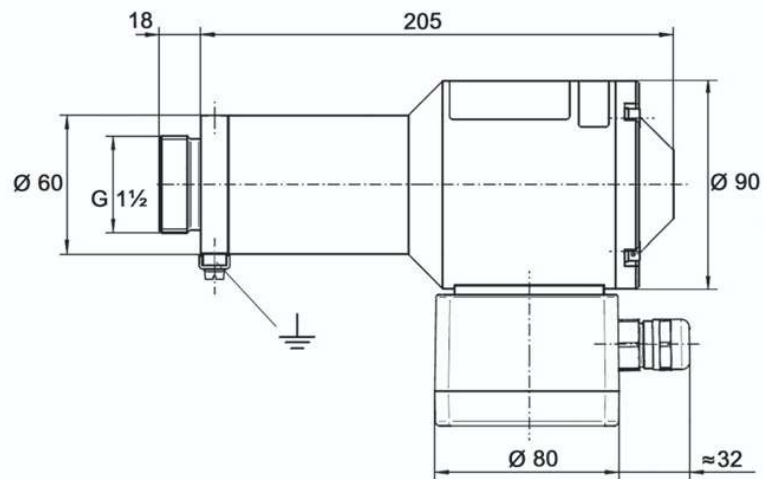
Item number	659R60... without mains frequency suppression label	Dimensions [mm]	L=198 Ø=60/90
Application	Monitoring of single burner and multi-burner combustion systems	Material	Corrosion-resistant aluminium EN AW 6082 (seawater 2*; weather 1*) nickel plated, varnished RAL 9006 matt
Power supply voltage	24 VDC \pm 20 % \leq 4.0 W	Weight [kg]	1.8 2,0 with junction box
Flame and fault contact	\leq 42 VDC, \geq 6 VAC/DC \leq 0.5 A, \geq 1.0 mA floating	Protection class	IP66
Sensor type	UV-2 IR-1	Operating temperature	UV-2: - 40 °C...+ 65 °C IR-1: - 40 °C...+ 60 °C
Operating mode	Continuous operation	Ex Zone 1	Ex II 2G- Zone 1 // Ex II 2D- Zone 21; Ex db lic T6.T5 Gb/ Ex tb IIIc T80°C, T95°C Db
Analogue output	0/4 ... 20 mA, Load 200 Ohm	Suitable Brackets	FV30 FV40

* Comparative evaluation from 1 (very good) to 6 (not suitable)

Compact Flame Scanner F200K (Ex Zone 1)



Dimensional drawing flame scanner F200K Ex



Dimensional drawing flame scanner F200K Ex with junction box