

Compact Flame Scanner F300K (Ex Zone 2).

Technical data



F300K with integrated user interface

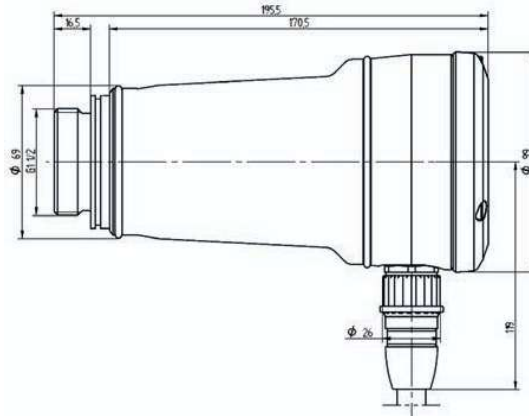


F300K with LED display

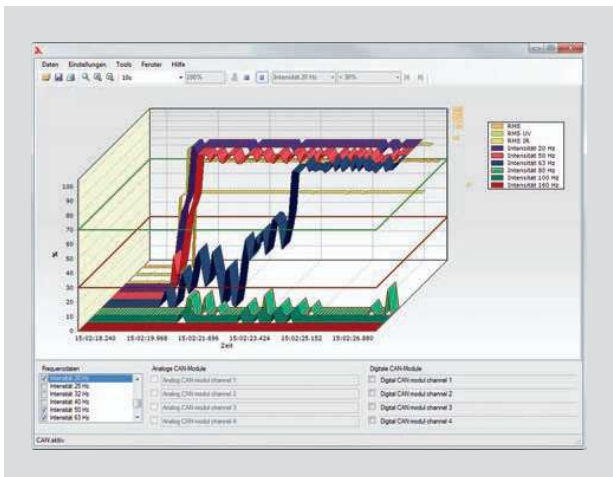
Item number	659A50...	Dimensions [mm]	L=195 Ø=99
Application	Nearly all monitoring tasks	Material	Corrosion-resistant aluminium EN AW 6082 (seawater 2*; weather 1*) or stainless steel
Power supply voltage	24 VDC ± 20 % ≤ 3.7 W	Weight [kg]	1.05 3.6 (stainless steel)
Flame and fault contact (switch NO)	≤ 42 VAC/DC, ≥ 13 VAC/DC ≤ 0.5 A, ≥ 10 mA floating	Protection class	IP66/67
Sensor type	UV-4, UV-4.6, IR-2 F, IR-4 UVIR-1,	Operating temperature	- 40 ... + 85 °C
Operating mode	Continuous operation	Ex Zone 2	Ex nA nC ic IIC T5 (T6) Gc X
Analogue output	0/4 ... 20 mA, Load max. 240 Ohm	Suitable Brackets	FV30 FV40
Cable lengths	Max. 200 m	Approval	SIL3

* Comparative evaluation from 1 (very good) to 6 (not suitable)

Compact Flame Scanner F300K (Ex Zone 2)



Dimensional drawing flame scanner F300K



Flamescanner Remote Software item number 659R9000

Flamescanner Remote Software (FRS)

- Connection to the PC via FSB/USB module and adapter cables.
- The flamescanner remote software allows you to set all parameters. In addition, it also offers analysis, data backup and recording functions.
- In addition to the flame scanner data, you can also connect up and record external, analogue and/or digital data by means of FSB modules. All of the data is synchronised.