

External User Interface FB30-00/10 for F300K and F350.

Technical data



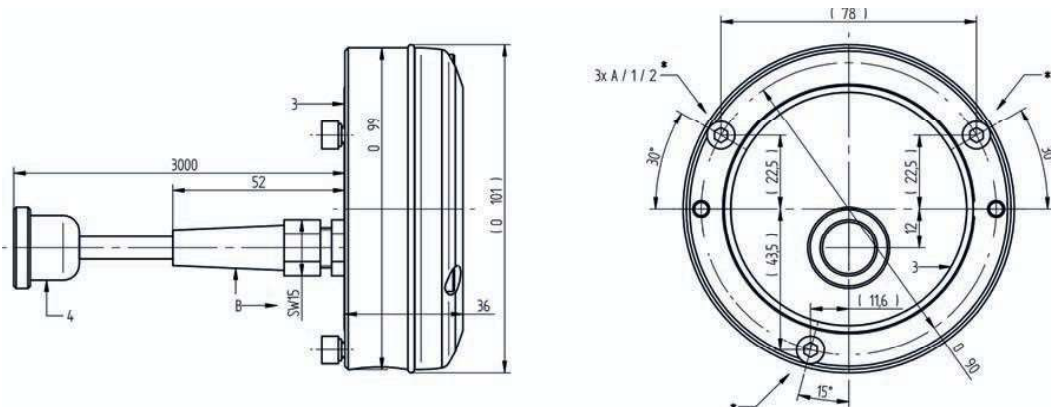
External User Interface FB30-00, portable



External User Interface FB30-10, control cabinet installation

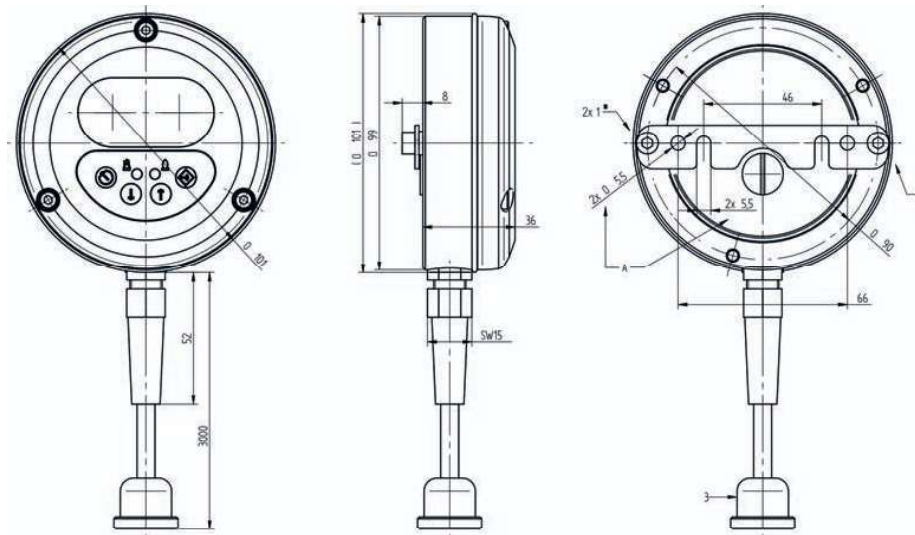
Item number	659M2100 portable 659M2101 Control cabinet installation	Dimensions [mm]	See dimensional drawings
Application	Same functions as for the integrated user interface	Material	Corrosion-resistant aluminium EN AW 6082 (seawater 2*; weather 1*)
Power supply voltage	24 VDC ± 20%	Weight [kg]	0.3
Power consumption:	< 1 W (< 30 mA)	Protection class	IP67
Communication	FSB-Bus	Ambient temperature	- 40 °C to + 80 °C (from 70 °C display no longer visible)
Connection type	2x2-wire TP shielded, e.g. LiYCY TP 0.34		

* Comparative evaluation from 1 (very good) to 6 (not suitable)



Dimensional drawing External User Interface FB 30-10 - mounting on the control cabinet door

FB30-00/10 External User Interface for F300K



Dimensional drawing external user interface FB30-00 - on-site assembly

A Fixing/mounting holes for M5

1 Cylinder-head screw with M5x8 hexagon socket

2 Mounting bracket

3 Round 5-pin M5 plug-in connector