

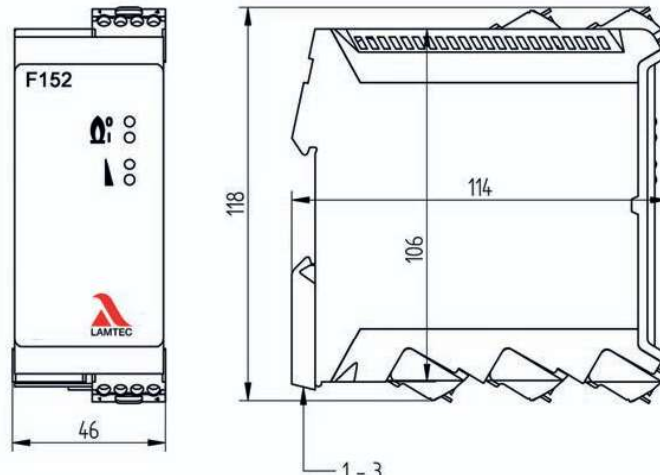
Flame Monitoring Device F152.

Technical data



Flame monitoring device F152

Item number	659G0501 (230 VAC) 659G0502 (120 VAC) 659G0504 (120 VAC 3 s)	Dimensions [mm]	See dimensional drawings
Application	Monitoring of single burner systems	Material	Plastic
Power supply voltage	230 VAC +10 % -15 % 115 VAC +10 % -15 %, at the factory	Weight [kg]	0.5
Power consumption	≤ 5 VA	Protection class	IP20
Output contact status signal	Switch NC (floating changeover switch)	Ambient temperature	- 10 ... + 60 °C
Flame signal output contact	Switch NO (floating changeover switch)	Approval	UL, CE, SIL 3, UKCA



Dimensional Drawing F152