

# Flame Sensor FFS07 and FFS07 Ex-II/Ex (Ex-Zone 2 and 1).

## Technical data



FFS07



FFS07 V

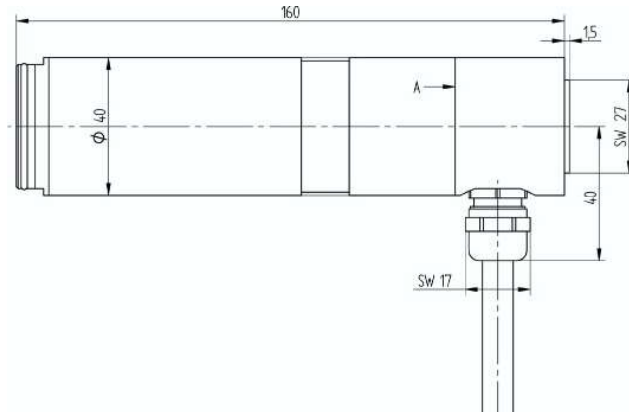


FFS07 Ex

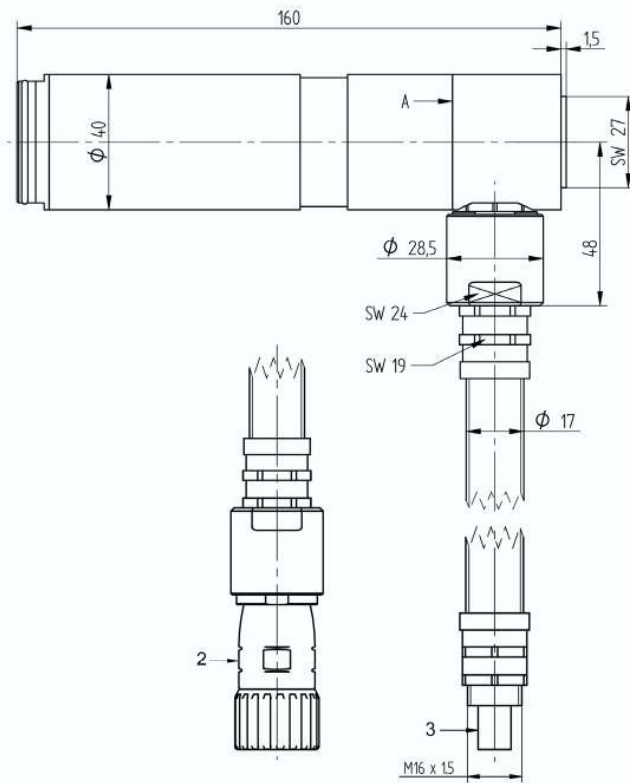
Item number	659D21 ..	Cable lengths	<300 m
Application	Monitoring of single burner systems	Dimensions [mm]	See dimensional drawings
Power supply voltage	24...42 VDC via evaluation device	Material	Corrosion-resistant aluminium EN AW 6082 (seawater 2*; weather 1*) FFS07 EX: EN CW614N (brass) nickel plated
Operation	only in combination with F152/ CMS /ETAMATIC/ETAMATIC OEM/ MCG-BC400	Weight [kg]	0.45 FFS07/FFS07 V 0.5 FFS07 EX
Sensor type	UV-1, UV-4, IR- 1, IR-1 T	Protection class	IP66 Ex Zone 1 IP67 Ex Zone 2
Ex Zone 1	II 2G Ex d IIC T6 Gb	Operating temperature	UV: -20 °C ... + 65 °C IR: -20 °C ... + 60 °C
Ex Zone 2	II 2D Ex tb IIIC T80°C Db II 3G Ex nA IIC T5 (T6) Gc X II 3D Ex tc IIIC T95°C Dc X		
Suitable Brackets:	For plug-in variant: FH For threaded connection variant: FV For Ex Zone I: FV		

\* Comparative evaluation from 1 (very good) to 6 (not suitable)

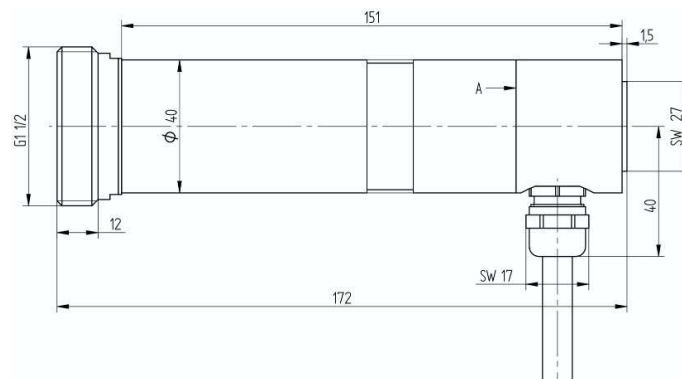
# Flame Sensor FFS07 and FFS07 Ex-II/Ex (Ex-Zone 2 and 1)



Dimensional Drawing plug-in variant

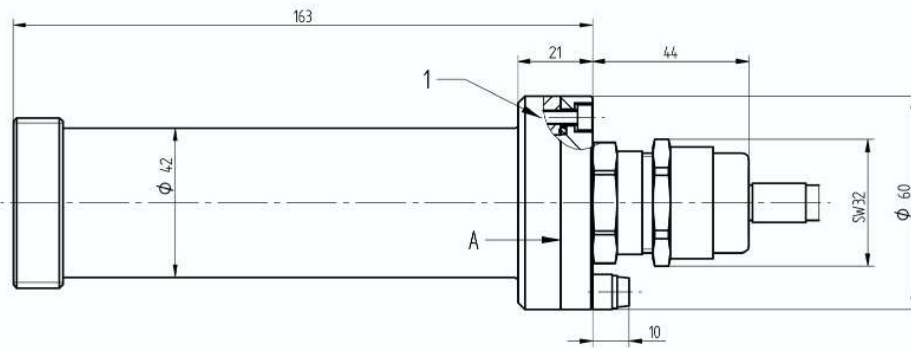


Dimensional Drawing FFS07 with metal protection hose, FFS07 for screw fitting, not available for FFS07... Ex



Dimensional Drawing FFS07 V

## Flame Sensor FFS07 and FFS07 Ex-II/Ex (Ex-Zone 2 and 1)



Dimensional Drawing FFS07 EX

# Flame Sensor FFS08.

## Technical data



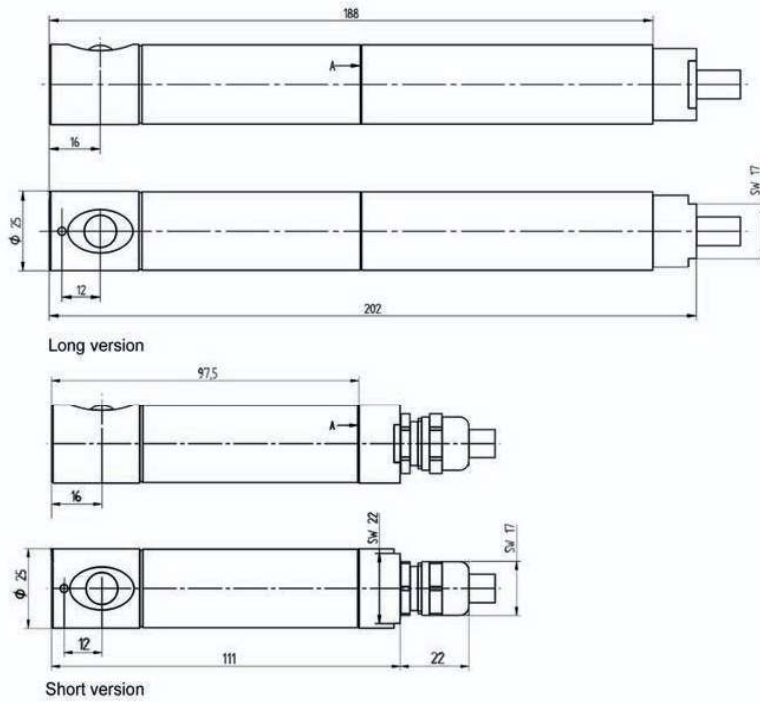
FFS08 long version



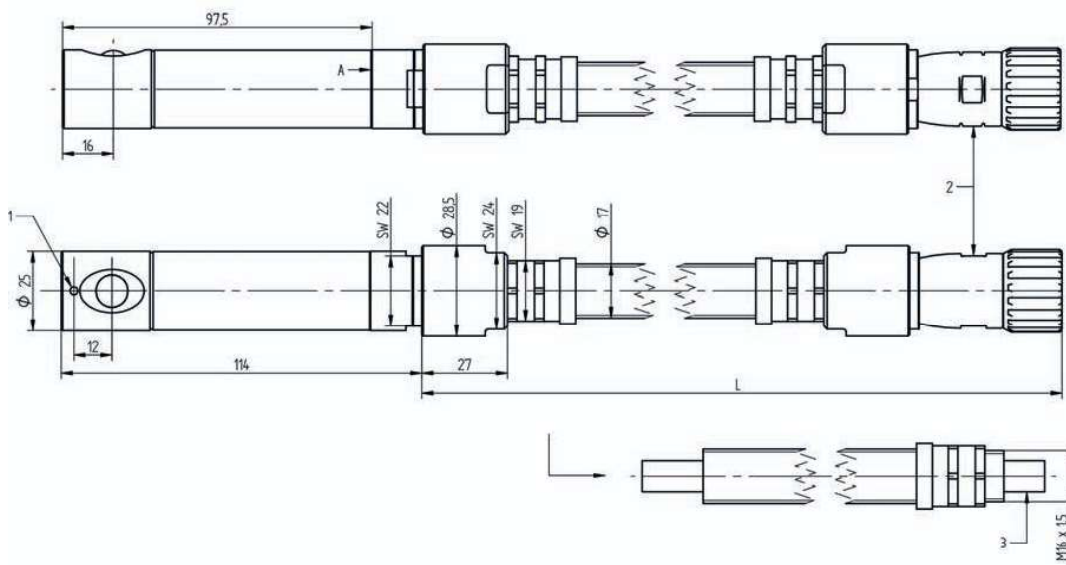
FFS08 short version

Item number	659D31...	Dimensions [mm]	See dimensional drawings
Application	Monitoring of single burner systems	Material	EN CW614N (brass) nickel plated, partly black, powder-coated
Power supply voltage	24...42 VDC via evaluation device	Weight [kg]	0.40 short design 0.55 long design
Operation	only in combination with F152/ CMS /ETAMATIC/ETAMATIC OEM/ MCC-BC400	Protection class	IP67
Sensor type	UV-1, UV-4, IR-1, IR-1T, IR-1T/S2	Operating temperature	UV: -20 °C ... +65 °C IR: -20 °C ... +60 °C
Cable lengths	<300 m	Suitable Brackets	FH 80 FS 60
Ex Zone	No Ex Zone application		

# Flame Sensor FFS08



Dimensional Drawing FFS08



Dimensional drawing FFS08 with metal protection hose, FFS08 with extended housing comparable