



บริษัท เอดีดี เฟอร์เนส จำกัด

ADD FURNACE CO.,LTD.

44 ซอยบรมราชชนนี 70 ถนนบรมราชชนนี แขวงศาลาธรรมสพน์ เขตทวีวัฒนา กรุงเทพฯ 10170

โทร: 02-888-3472 โทร: ออกแบบ:08-08-170-170 แฟกซ์: 02-888-3258

https://www.add-furnace.com E-mail: sales@add-furnace.com

1 1/4" Swing-Check ESV for Bulk Plants

VA6010 and A6010

Application

Designed for installation in liquid or vapor transfer lines at LP-Gas or Anhydrous Ammonia bulk plants to provide for quick shut-off of liquid or vapor flow in the event of an accidental pull-away, line break, or hose rupture.

Features

Meets NFPA 58 and UL requirements

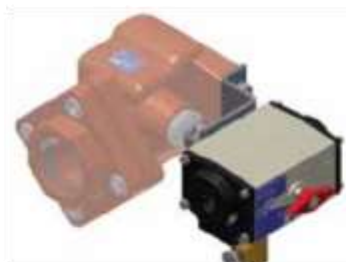
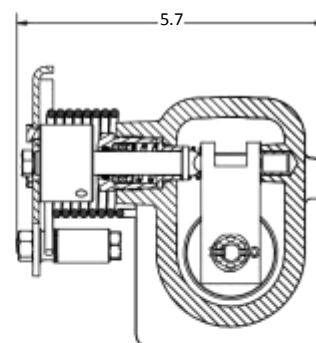
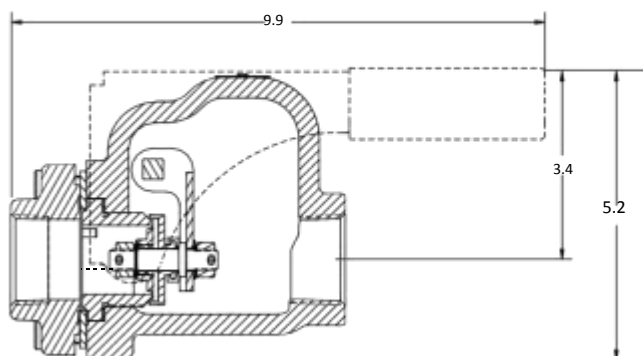
- Fusible Element is located in the thermal fuse assembly, which acts at the latch open and close trigger. When exposed to fire, the element melts at 212 degrees F. allowing the shaft to return to the closed position.
- Valve can be opened by use of operating lever. If a pneumatic actuator is used it will open with the actuator.
- Valve can be closed by remote cable or pneumatic actuator.
- Valve can be closed by simply pushing the operating lever down; it is not necessary to trip the close trigger.

Sturdy Rugged Construction

- Will withstand hydraulic shock of sudden closings, piping strains, and temperature variations.
- Valve has only two moving parts, stem and close/thermal trigger.
- **A6010** is UL listed for use in LP-Gas as an emergency and operating shut-off valve.
- Stem seals are spring loaded for leak free performance at low temperatures/pressures.
- Seat Disc is retained by a metal seat to minimize leakage in case of direct fire impingement.
- Quick closing regardless if the pump is running or not.

Materials

Body..... Ductile Iron Clad Plated
 Stem Stainless Steel
 Seat Stainless Steel
 Seat Disc..... High Temperature Viton (6010 only)
 Seat Disc..... Synthetic Rubber (AA6010 only)
 Springs..... Stainless Steel
 Gaskets Teflon



Ordering Information

Part Number	Seat	Inlet and Outlet Connections	Accessories				Liquid Flow Capacity @ 10PSIG Pressure Drop (GPM)
			Remote Pneumatic Close	Remote Pneumatic Open/Close	Rotary Actuator	Electric Actuator	
VA6010	Viton	1 1/4" F. NPT	6016-60D	6016-60C	6016RA	6016EA	259 (LP-Gas)
A6010	Buna-N	1 1/4" F. NPT					233 (NH3 or LP-Gas)

