



Actuators

**SQN3...
SQN4...**

Electromotoric actuators for use with air dampers and control valves of oil or gas burners of small to medium capacity.

The SQN3... / SQN4... and this Data Sheet are intended for use by OEMs which integrate the actuators in their products!

Use / features

The SQN3... / SQN4... actuators are designed to drive gas and air dampers on small to medium-capacity oil or gas burners or for the load-dependent control of fuel and combustion air volume:

- In connection with P-PI or PID controllers, such as the RWF...
- Directly via the different types of burner controls, such as LOA..., LMO..., LMG... or LFL...
- In connection with 1- or 2-wire control or 3-position controllers

- All types of actuators with:
 - Impact-proof and heat-resistant plastic housing
 - Screw terminals for the electrical connections
 - Maintenance-free gear train, which can be disengaged
 - Internal and external position indication
 - Easy-to-adjust end and auxiliary switches for setting the switching points

- Holding torque:

| | |
|-----------|------------|
| - SQN3... | 0.8...3 Nm |
| - SQN4... | 6 Nm |

- Running time:

| | |
|-----------|------------|
| - SQN3... | 4.5...30 s |
| - SQN4... | 120 s |

- Direction of rotation:

| | |
|-----------------------|------------------|
| - SQN30... | counterclockwise |
| - SQN31... / SQN41... | clockwise |



Warning notes



To avoid injury to persons, damage to property or the environment, the following warning notes must be observed!

Do not interfere with or modify the actuators!

- All activities (mounting, installation and service work, etc.) must be performed by qualified staff
- Before making any wiring changes in the connection area of the actuators, completely isolate the equipment from the mains supply (all-polar disconnection). **Ensure that the plant cannot be inadvertently switched on again and that it is indeed dead. If not observed, there is a risk of electric shock hazard**
- Ensure protection against electric shock hazard by providing adequate protection for the connection terminals and by securing the housing cover
- Each time work has been carried out (mounting, installation, service work, etc.), check to ensure that wiring is in an orderly state
- Fall or shock can adversely affect the safety functions. Such actuators must not be put into operation, even if they do not exhibit any damage

Mounting notes

- Ensure that the relevant national safety regulations are complied with

Standards and certificates



Applied directives:

- Low-voltage directive 2014/35/EC
- Electromagnetic compatibility EMC (immunity) 2014/30/EC

Compliance with the regulations of the applied directives is verified by the adherence to the following standards / regulations:

- Automatic electrical controls for household and similar use Part 1: General requirements DIN EN 60730-1
- Automatic electrical controls for household and similar use Part 2-14: Particular requirements for electric actuators DIN EN 60730-2-14

The relevant valid edition of the standards can be found in the declaration of conformity!



EAC Conformity mark (Eurasian Conformity mark)



ISO 9001:2008
ISO 14001:2004
OHSAS 18001:2007


Disposal notes



The actuator contains electrical and electronic components and must not be disposed of together with domestic waste.

Local and currently valid legislation must be observed.

Mechanical design

| | |
|--------------------------------|--|
| Housing | <ul style="list-style-type: none"> - Made of impact-proof and heat-resistant plastic - The housing accommodates: <ul style="list-style-type: none"> – The reversible synchronous motor with gear train, which can be disengaged – The camshaft of the control section – The relays (depending on the type of actuator) – The switches, connected to the terminals via the printed circuit board <p>Color: Gear train housing light-grey, cover dark-grey</p> |
| Drive motor | <ul style="list-style-type: none"> - Reversible and locking-proof synchronous motor |
| Coupling | <ul style="list-style-type: none"> - Shaft can be disengaged from gear train and motor via manual operation of a coupler pressure pin «K» - Automatic reengagement |
| |  |
| Adjustment of switching points | <ul style="list-style-type: none"> - With adjustable cams - Scales beside the cams indicate the angle of the switching point - The other cams can be adjusted manually or with the enclosed hook-spanner or similar tool |
| Position indication | <ul style="list-style-type: none"> - Internally: Scale on the gear train side of the camshaft - Externally: Scale in viewing window (refer to «Dimensions») |
| Electrical connections | <ul style="list-style-type: none"> - Refer to «Technical data» |
| Gear train | <ul style="list-style-type: none"> - Maintenance-free |
| Drive shaft | <ul style="list-style-type: none"> - Made of black-finished steel. - Ready fitted to the front of the gear train - Different versions available |
| Mounting and fixing | <ul style="list-style-type: none"> - Front of the gear train is used as the mounting surface - Actuator is secured via through-holes |



Special versions for fitting potentiometer

Fitting a potentiometer

Certain types of actuators are supplied ready prepared for fitting a potentiometer. These actuators differ from the basic type **only in that the housing is higher** and that they are prepared for accommodating a potentiometer. Accessories are not required. The required type of potentiometer is to be ordered as a separate item (refer to «Ordering»). In that case, the third digit after the dot in the actuator's type reference will change from «1» to «2».

Example:

SQN31.111A2700 → basic type

SQN31.112A2700 → version for fitting a potentiometer

Conversion by the user

Users have the choice of converting a basic type of actuator to a version for fitting a potentiometer. For that, a conversion kit type **AGA32** is available (refer to «Ordering»).



Attention!

Conversion of the basic type reference must be noted by the user on the actuator's type field using a permanent felt-tip pen.

Type summary (others types of actuators are available on request)

Actuators SQN30... / counterclockwise rotation ๘)

| Diagram no. | Drive shaft 1) no. | Running time at 50 Hz 2) for 90° s | Operating torque (max.) Nm | Holding torque Nm | HS 7) pcs. | Relay pcs. | Housing length 1) mm | Types for mains voltage / mains frequency | |
|-------------|--------------------|------------------------------------|----------------------------|-------------------|------------|------------|----------------------|---|---|
| | | | | | | | | AC 220 V -15 % AC 240 V +10 % 50...60 Hz 4) | AC 100 V -15 % AC 110 V +10 % 50...60 Hz 3) |
| 0 | 0 | 4.5 | 1 | 0.8 | 3 | --- | 125 | SQN30.102A2700 ๑) | --- |
| 1 | 0 | 4.5 | 1 | 0.8 | 2 | 1 | 110 | SQN30.111A2700 | SQN30.111A1700 |
| 1 | 0 | 4.5 | 1.5 | 0.8 | 2 | 1 | 110 | SQN30.111A3500 ๑) | --- |
| 2 | 0 | 4.5 | 1 | 0.8 | 1 | 2 | 110 | SQN30.121A2700 | SQN30.121A1700 |
| 2 | 0 | 4.5 | 1.5 | 0.8 | 1 | 2 | 110 | SQN30.121A3500 ๑) | --- |
| 3 | 0 | 4.5 | 1 | 0.8 | 1 | 2 | 110 | SQN30.131A2700 | SQN30.131A1700 |
| 5 | 0 | 4.5 | 1 | 0.8 | 1 | 2 | 110 | SQN30.151A2700 | SQN30.151A1700 |
| 5 | 0 | 12 | 1.8 | 1.8 | 1 | 2 | 110 | SQN30.251A2700 | SQN30.251A1700 |
| 0 | 0 | 30 | 3 | 3 | 3 | --- | 110 | SQN30.401A2700 | --- |
| 0 | 3 | 30 | 3 | 3 | 3 | --- | 110 | SQN30.401A2730 | --- |
| 0 | 0 | 30 | 3 | 3 | 3 | --- | 125 | SQN30.402A2700 ๑) | SQN30.402A1700 ๑) |
| 0 | 3 | 30 | 3 | 3 | 3 | --- | 125 | SQN30.402A2730 ๑) | --- |
| 1 | 0 | 30 | 3 | 3 | 2 | 1 | 110 | SQN30.411A2700 | --- |
| 3 | 0 | 30 | 3 | 3 | 1 | 2 | 110 | SQN30.431A2700 | --- |
| 5 | 0 | 30 | 3 | 3 | 1 | 2 | 110 | SQN30.451A2700 | --- |

Actuators SQN31... / clockwise rotation ๘)

| Diagram no. | Drive shaft 1) no. | Running time at 50 Hz 2) for 90° s | Operating torque (max.) Nm | Holding torque Nm | HS 7) pcs. | Relay pcs. | Housing length 1) mm | Types for mains voltage / mains frequency | |
|-------------|--------------------|------------------------------------|----------------------------|-------------------|------------|------------|----------------------|---|---|
| | | | | | | | | AC 220 V -15 % AC 240 V +10 % 50...60 Hz 4) | AC 100 V -15 % AC 110 V +10 % 50...60 Hz 3) |
| 0 | 0 | 4.5 | 1 | 0.8 | 3 | --- | 110 | SQN31.101A2700 | SQN31.101A1700 |
| 0 | 0 | 4.5 | 1 | 0.8 | 3 | --- | 125 | SQN31.102A2700 ๑) | SQN31.102A1700 ๑) |
| 1 | 0 | 4.5 | 1 | 0.8 | 2 | 1 | 110 | SQN31.111A2700 | --- |
| 1 | 6 | 4.5 | 1 | 0.8 | 2 | 1 | 110 | SQN31.111A2760 | --- |
| 2 | 0 | 4.5 | 1 | 0.8 | 1 | 2 | 110 | SQN31.121A2700 | --- |
| 2 | 3 | 4.5 | 1 | 0.8 | 1 | 2 | 110 | SQN31.121A2730 | --- |
| 2 | 6 | 4.5 | 1 | 0.8 | 1 | 2 | 110 | SQN31.121A2760 | --- |
| 5 | 0 | 4.5 | 1 | 0.8 | 1 | 2 | 110 | SQN31.151A2700 | SQN31.151A1700 |
| 5 | 3 | 4.5 | 1 | 0.8 | 1 | 2 | 110 | SQN31.151A2730 | --- |
| 2 | 0 | 12 | 1.8 | 1.8 | 1 | 2 | 110 | SQN31.221A2700 | --- |
| 2 | 3 | 12 | 1.8 | 1.8 | 1 | 2 | 110 | SQN31.221A2730 | --- |
| 5 | 0 | 12 | 1.8 | 1.8 | 1 | 2 | 110 | SQN31.251A2700 | SQN31.251A1700 |
| 5 | 3 | 12 | 1.8 | 1.8 | 1 | 2 | 110 | SQN31.251A2730 | --- |
| 0 | 0 | 12 | 1.8 | 1.8 | 3 | --- | 125 | SQN31.202A2700 ๑) | --- |
| 5 | 0 | 12 | 1.8 | 1.8 | 1 | 2 | 125 | SQN31.252A2700 ๑) | SQN31.252A1700 ๑) |
| 5 | 0 | 15 | 2 | 1.8 | 1 | 2 | 110 | SQN31.351A2700 | --- |
| 0 | 0 | 30 | 3 | 3 | 3 | --- | 110 | SQN31.401A2700 | SQN31.401A1700 |
| 0 | 3 | 30 | 3 | 3 | 3 | --- | 110 | SQN31.401A2730 | --- |
| 0 | 6 | 30 | 3 | 3 | 3 | --- | 110 | SQN31.401A2760 | --- |
| 0 | 0 | 30 | 3 | 3 | 3 | --- | 125 | SQN31.402A2700 ๑) | SQN31.402A1700 ๑) |
| 1 | 0 | 30 | 3 | 3 | 2 | 1 | 110 | SQN31.411A2700 | --- |
| 1 | 3 | 30 | 3 | 3 | 2 | 1 | 110 | SQN31.411A2730 | --- |
| 6 | 0 | 23 | 2.5 | 2.5 | --- | 2 | 125 | SQN31.762A2700 ๑) | --- |
| 4 | 0 | 120 | 6 | 6 | 2 | 1 | 110 | SQN31.941A2700 | --- |



Type summary (others types of actuators are available on request) (cont'd)

Actuators SQN41... / clockwise rotation 8)

| Diagram no. | Drive shaft 1) | Running time at 50 Hz 2) | Operating torque (max.) Nm | Holding torque Nm | HS 7) | Relay pcs. | Housing length 1) mm | Types for mains voltage / mains frequency | |
|-------------|----------------|--------------------------|----------------------------|-------------------|-------|------------|----------------------|---|---|
| 4 | 0 | 120 | 6 | 6 | 2 | 1 | 110 | AC 220 V -15 % AC 240 V +10 % 50...60 Hz 4) | AC 100 V -15 % AC 110 V +10 % 50...60 Hz 3) |
| | | | | | | | | SQN41.941A2700 | --- |

Legend

- 1) Refer to «Dimensions»
- 2) At 60 Hz, running times are about 20 % shorter
- 3) AC 100...110 V +10 % / -15 % possible, but in case of undervoltage torque is reduced by about 20 %
- 4) AC 220...240 V +10 % / -15 % possible, but in case of undervoltage torque is reduced by about 20 %
- 5) Suited for fitting a potentiometer (refer to «Fitting a potentiometer»)
- 6) Under nominal conditions; under extreme conditions (e.g. +60 °C, AC 230 V -15 %) about -25 %
- 7) Optional auxiliary switches (in addition to the 2 end switches)
- 8) When facing the drive shaft and when control voltage is fed to end switch I
On time at: - AC 220 V -15 % / +10 % and 50 Hz – max. 50 % - AC
240 V -15 % / +10 % and 50 Hz – max. 35 %
- 9)

Ordering

Actuator refer to «Type summary»

Potentiometer ASZ.... refer to Data Sheet N7921



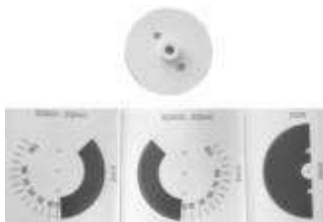
Conversion kit AGA32 refer to Data Sheet N7921
- For converting a basic type of actuator to a version for fitting a potentiometer

Example of conversion by the user:

SQN30.401A2730 - Actuator (refer to «Type summary»)

AGA32 - Conversion kit

ASZ8.703 - Coiled potentiometer 220 Ω / 90°, 3-pole



Service kit AGA33 refer to Data Sheet N7921

- For replacing old potentiometers type ASZ...5... / ASZ...6... by new potentiometers type ASZ...7... and ASZ...8...

Technical data

General actuator data

Actuator

| | |
|-----------------------------|--|
| Mains voltage | AC 220...240 V –15 % +10 % AC 100...110 V –15 % +10 % |
| Mains frequency | 50...60 Hz ±6 % |
| Primary fuse (external) | 6.3 AT (customer responsible for installation) |
| Type of motor | synchronous motor |
| Power consumption | 6.5 VA |
| Angular position | max. 160° |
| Mounting position | optional |
| Degree of protection | IP 40 to DIN 40050, provided adequate cable entries and fixing screws are used |
| Safety class | I to VDE 0631 |
| Cable entry | threaded cable gland holder for 1 x Pg9 and 1 x Pg11, no locknut required cable strain relief to be provided by the user (also refer to «Degree of protection»), Pg glands for all types are included in the delivery |
| Cable connections | screw terminals for wires having a cross-sectional area of 0.5 to 2.5 mm ² |
| Ferrules | matching the dia. of the stranded wire |
| Direction of rotation | refer to «Type summary» |
| Torques and holding torques | refer to «Type summary» |
| Running times | refer to «Type summary» |
| Life cycle | Cycles (CLOSED ⇒ OPEN ⇒ CLOSED) at specified torque: typical 250,000 |
| Weight (on average) | approx. 800 g |

End and auxiliary switches

| | | |
|---|---|-------------------|
| Number of end switches | 2 | |
| Number of auxiliary switches | refer to «Type summary» | |
| Actuation | via camshaft, color-coded cams (refer to «Connection diagrams») | |
| Switching voltage | AC 24...250 V | |
| Adjustment of cams in increments of | 1° | |
| Perm. terminal rating at $\cos\phi = 0,9$: | Peak current | Operating current |
| Electronic circuit | | |
| -under load ON, not under load OFF | Max. 14 A | 2 A |
| -under load ON, under load OFF | Max. 7 A | 1 A |

Environmental conditions

| | |
|-----------------------|-------------------|
| Storage | DIN EN 60 721-3-1 |
| Climatic conditions | class 1K2 |
| Mechanical conditions | class 1M2 |
| Temperature range | -20...+60 °C |
| Humidity | < 95 % r.h. |
| Transport | DIN EN 60 721-3-2 |
| Climatic conditions | class 2K2 |
| Mechanical conditions | class 2M2 |
| Temperature range | -20...+60 °C |
| Humidity | < 95 % r.h. |
| Operation | DIN EN 60 721-3-3 |
| Climatic conditions | class 3K3 |
| Mechanical conditions | class 3M3 |
| Temperature range | -20...+60 °C |
| Humidity | < 95 % r.h. |


Attention!

Condensation, formation of ice and ingress of water are not permitted!



Function

A synchronous motor drives the drive shaft and the camshaft via a gear train. The attached camshaft actuates the end and auxiliary switches. The switching position of each end and auxiliary switch can be adjusted within its working range via the associated cam. Some of the actuator versions are equipped with electronic modules for auxiliary functions in connection with the end and auxiliary switches or with external devices, such as controllers (refer to «Connection diagrams»). The functions and technical data of both lines of actuators SQN3... and SQN4... are nearly identical.

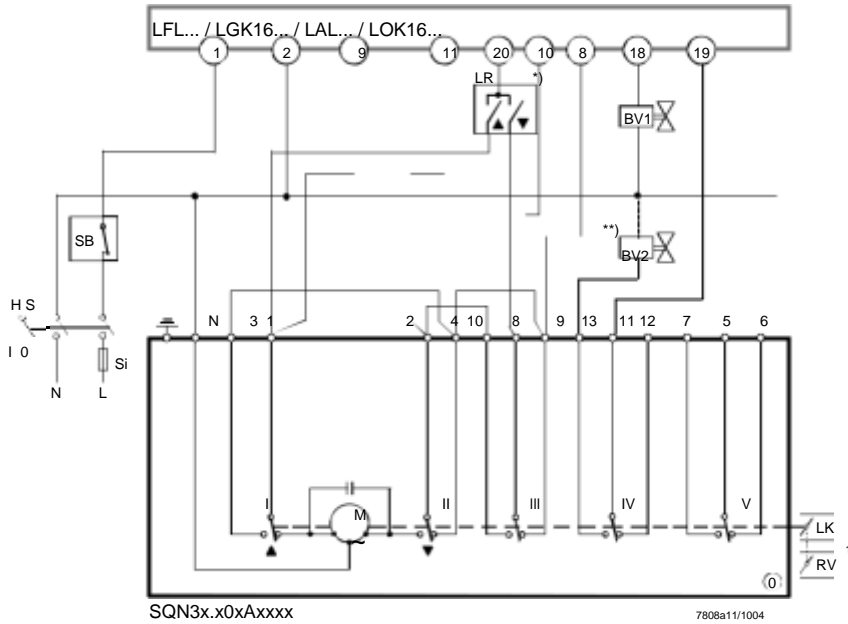
Connection diagrams



Note!
 The following connection diagrams show the actuator's start position as supplied:
 - End switch position II (CLOSED)
 - Dead

No. 0 → LFL... / LGK16... / LAL... and LOK16...

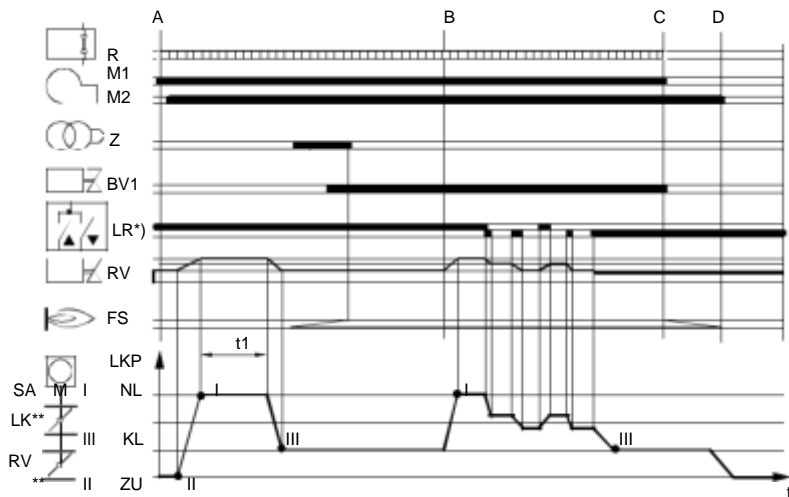
2-stage or modulating operation → Prepurging at nominal load position «NL»



1) Diagram shows arrangement for modulating operation

*) Thermostat or similar with changeover contact (2-wire control) or 3-position controller for «on / off» positioning pulses and neutral position

***) In case of modulating operation, fuel valve «BV2» is replaced by a gas control valve «RV»



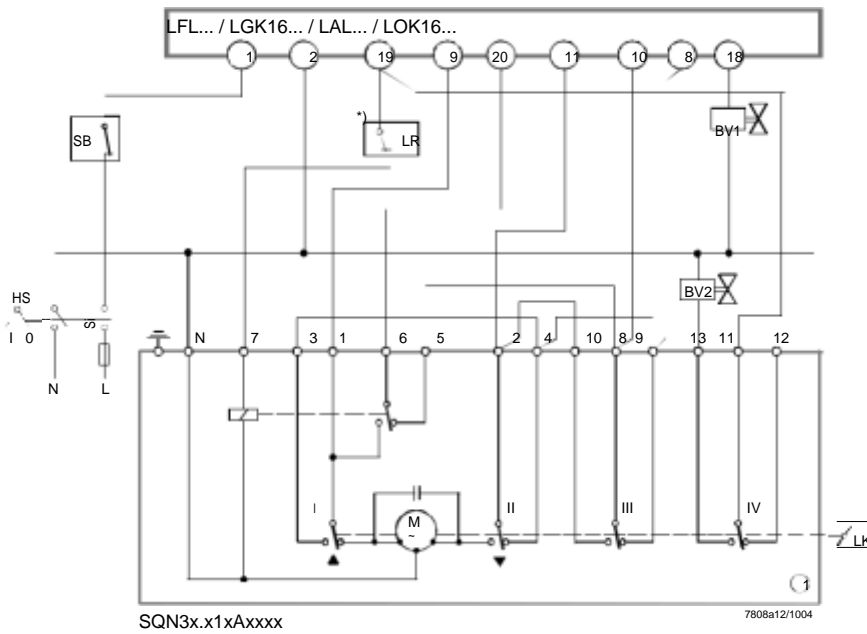
Program sequence diagram shows modulating operation

7808d05/10
04

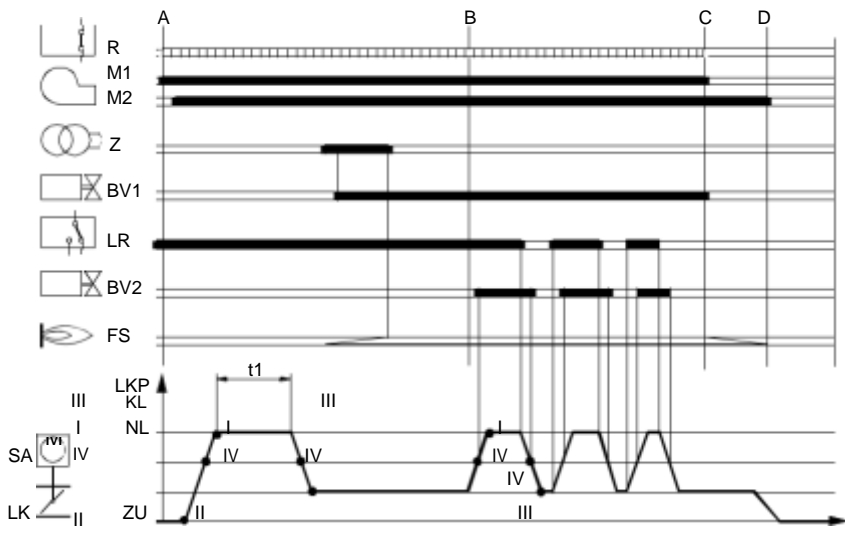
Connection diagrams (cont'd)

No. ① → LFL... / LGK16... / LAL... / LOK16...

2-stage operation → Prepurging at nominal load position «NL»



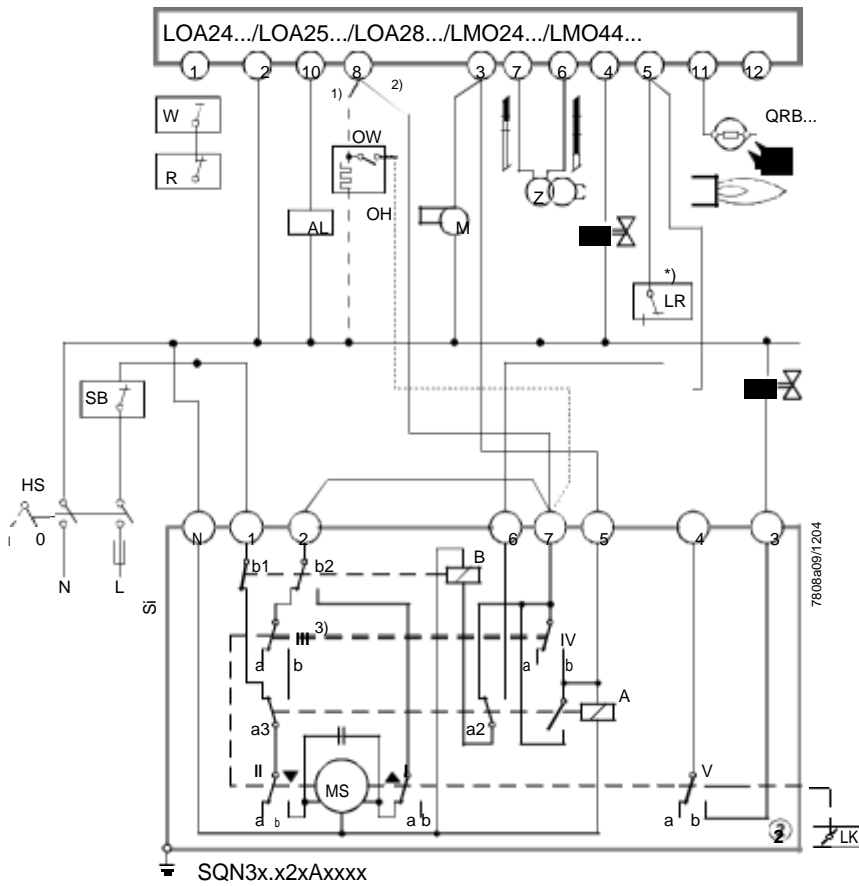
*) Thermostat or similar with NO contact (1-wire control)



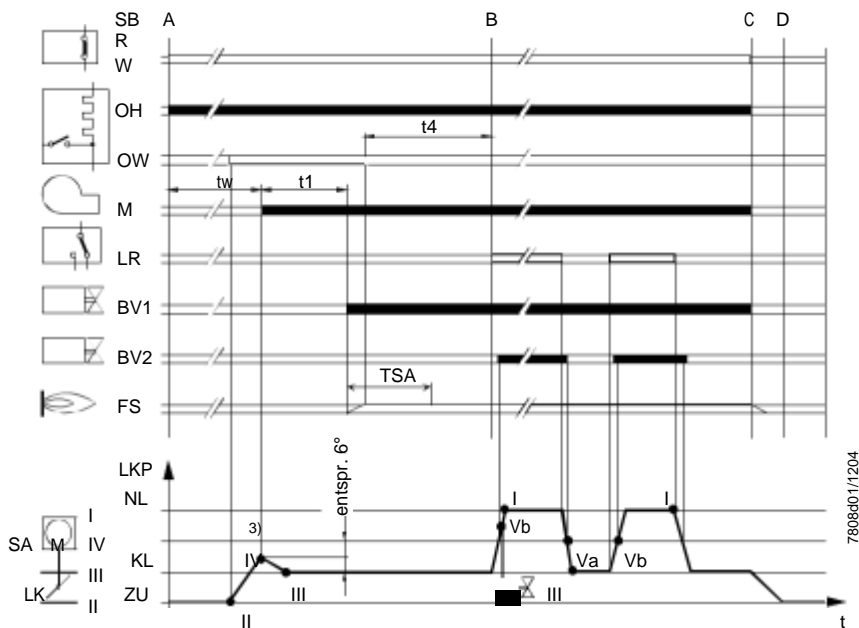
Connection diagrams (cont'd)

No. ② → LOA24... / LOA25... / LOA28... / LMO24... / LMO44...

2-stage operation → Prepurging at low-fire position «KL»



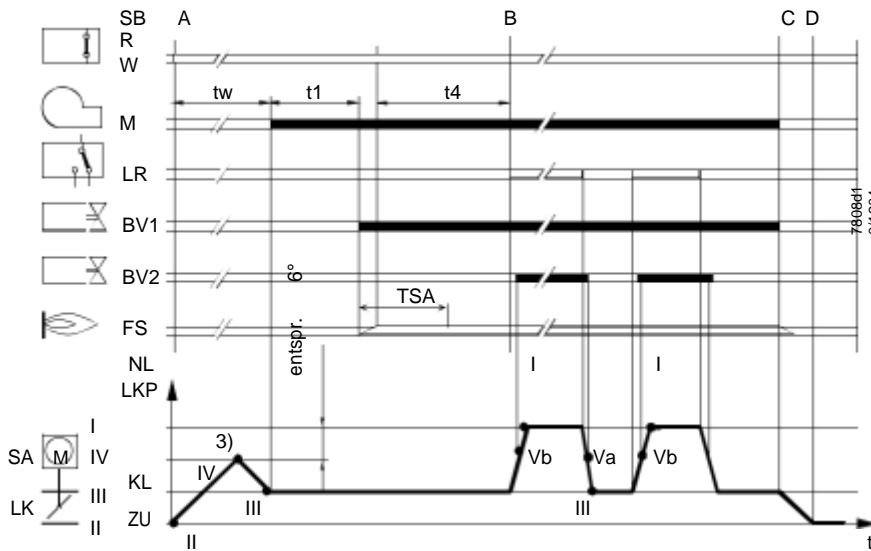
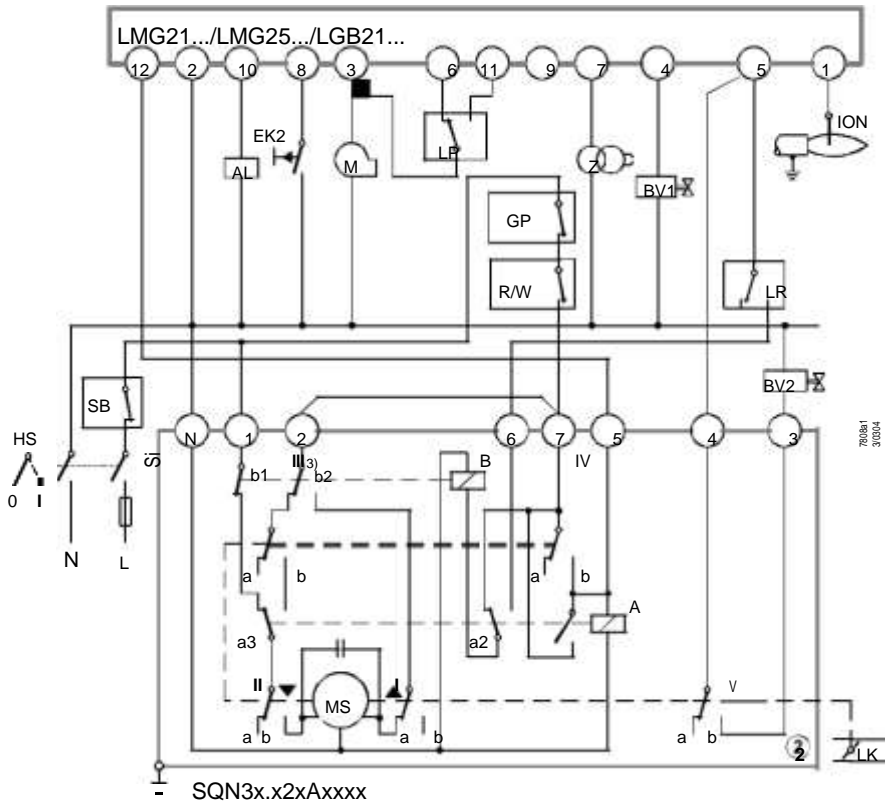
- 1) With oil preheater
- 2) Without oil preheater
- *) Thermostat or similar with NO contact (1-wire control)
- 3) Cams III and IV are rigidly connected



Connection diagrams (cont'd)

No. ② → LMG21... / LMG25... / LGB21...

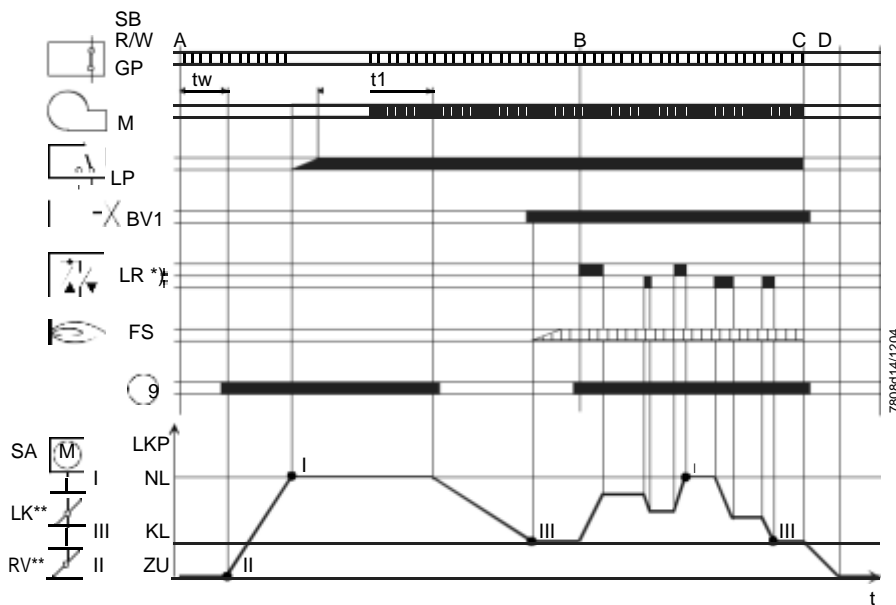
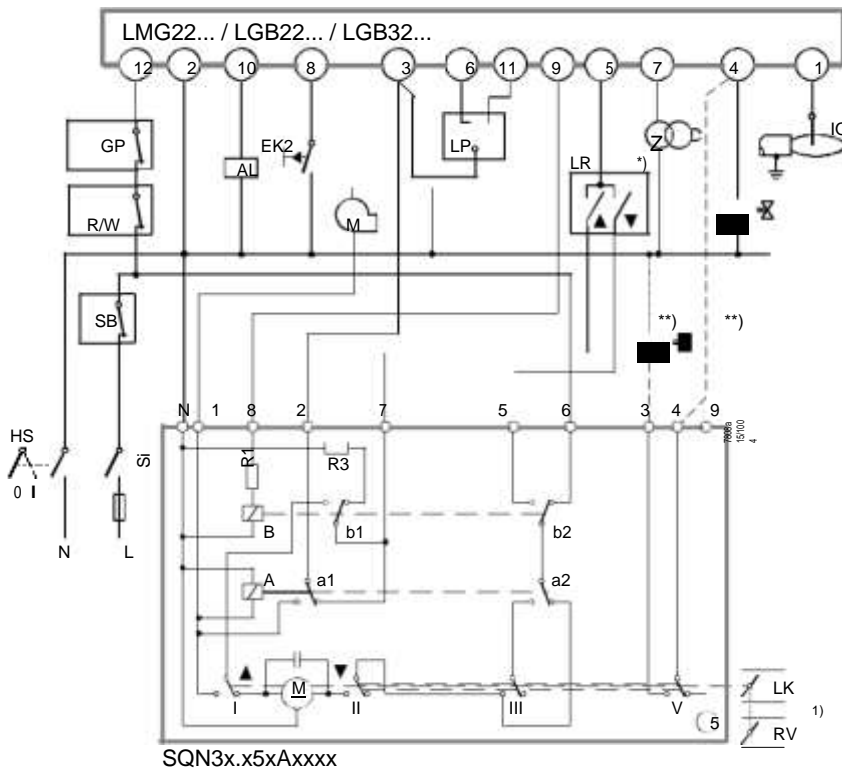
2-stage operation → Prepurging at low-fire position «KL»



Connection diagrams (cont'd)

No. 5 → LMG22... / LGB22... / LGB32...

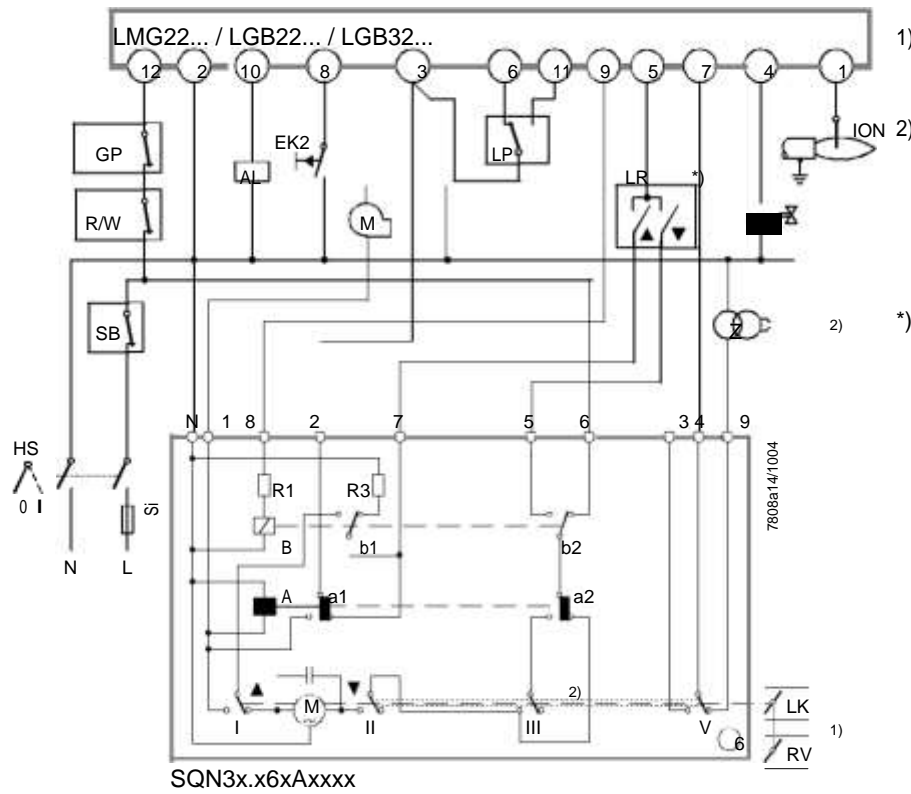
2-stage or modulating operation → Prepurging at nominal load position «NL»



Connection diagrams (cont'd)

No. 6 → LMG22... / LGB22... / LGB32...

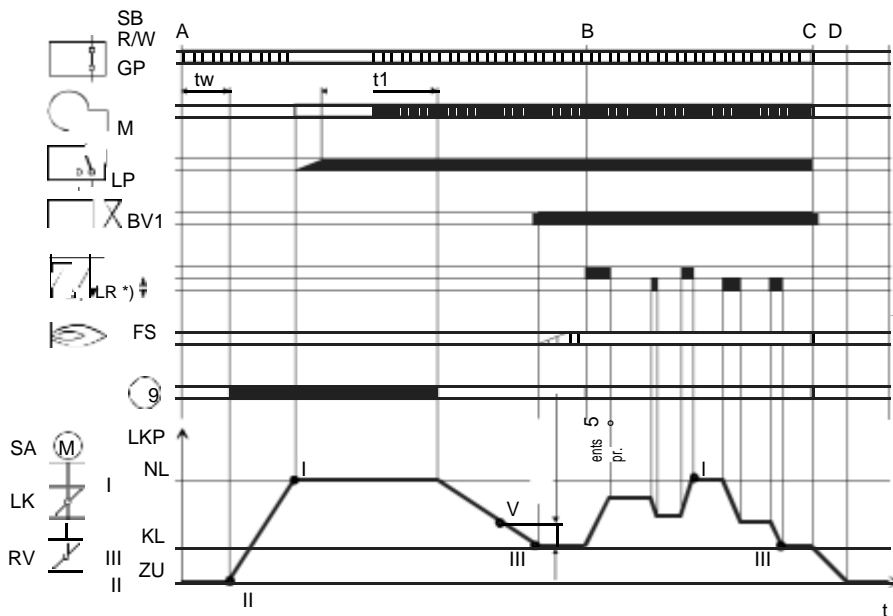
Modulating operation → Prepurging at nominal load position «NL»



1) Diagram shows arrangement for modulating operation

2) The cams of switches III and V are rigidly connected. This ensures that ignition takes place at the low-fire position «KL»

*) Thermostat or similar with changeover contact (2-wire control) or 3-position controller for «on / off» positioning pulses and neutral position



Program sequence diagram shows modulating operation

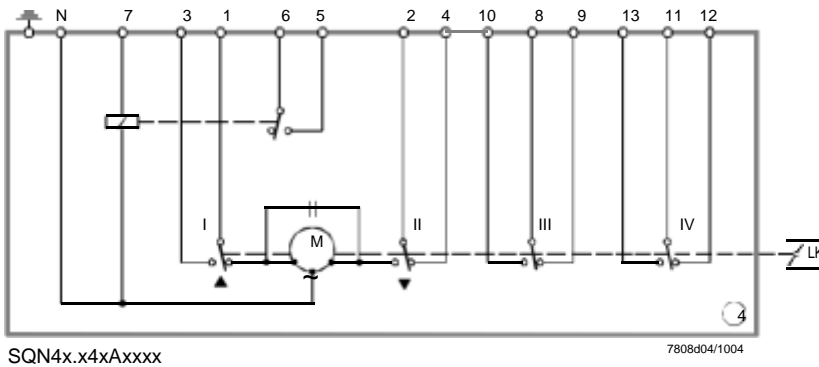


Attention!

If the contacts of switch V welded in position 4 → 9, supervision of the ignition load position would be negated and not be detected in operation. This means that the circuit is not safety-related but only used for supervision purposes. The user must ensure that in the event of failure (should the burner ignite at nominal load «NL»), no damage will occur.

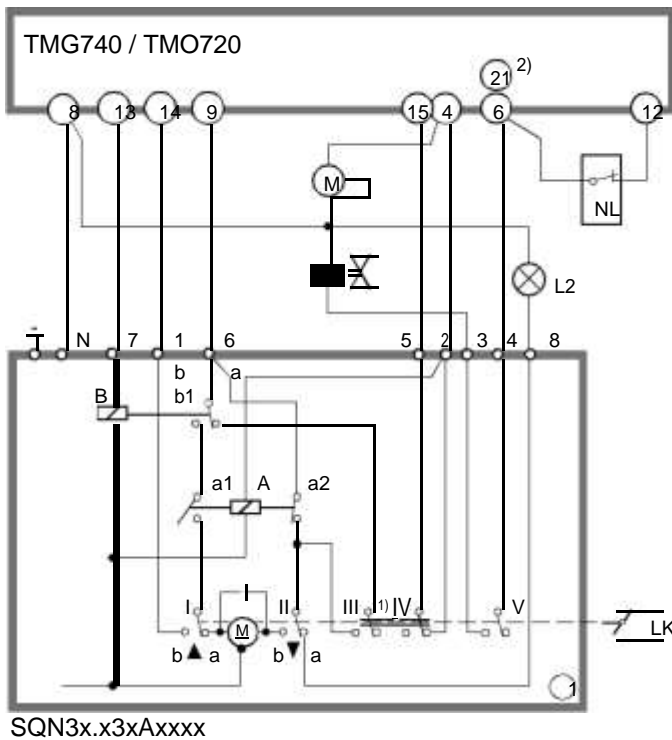
Connection diagram (cont'd)

No. ④ → Special application

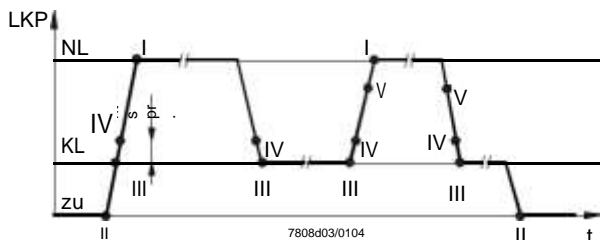


No. ③ → TMG740 / TMO720 (burner control of other manufacture)

2-stage operation → Prepurging at nominal load position «NL»



- 1) Cams of switches III and IV are rigidly connected
- 2) TMO720 terminal no. 6
TMG740 terminal no. 21



- **TMG... and TMO... are devices of other manufacture, neither made nor supplied by Siemens. Combination with the type of Siemens actuator proposed here must be checked with the supplier of the TMG... or TMO... while taking into consideration safety aspects and the current burner control version.**

The user assumes full responsibility for this application.

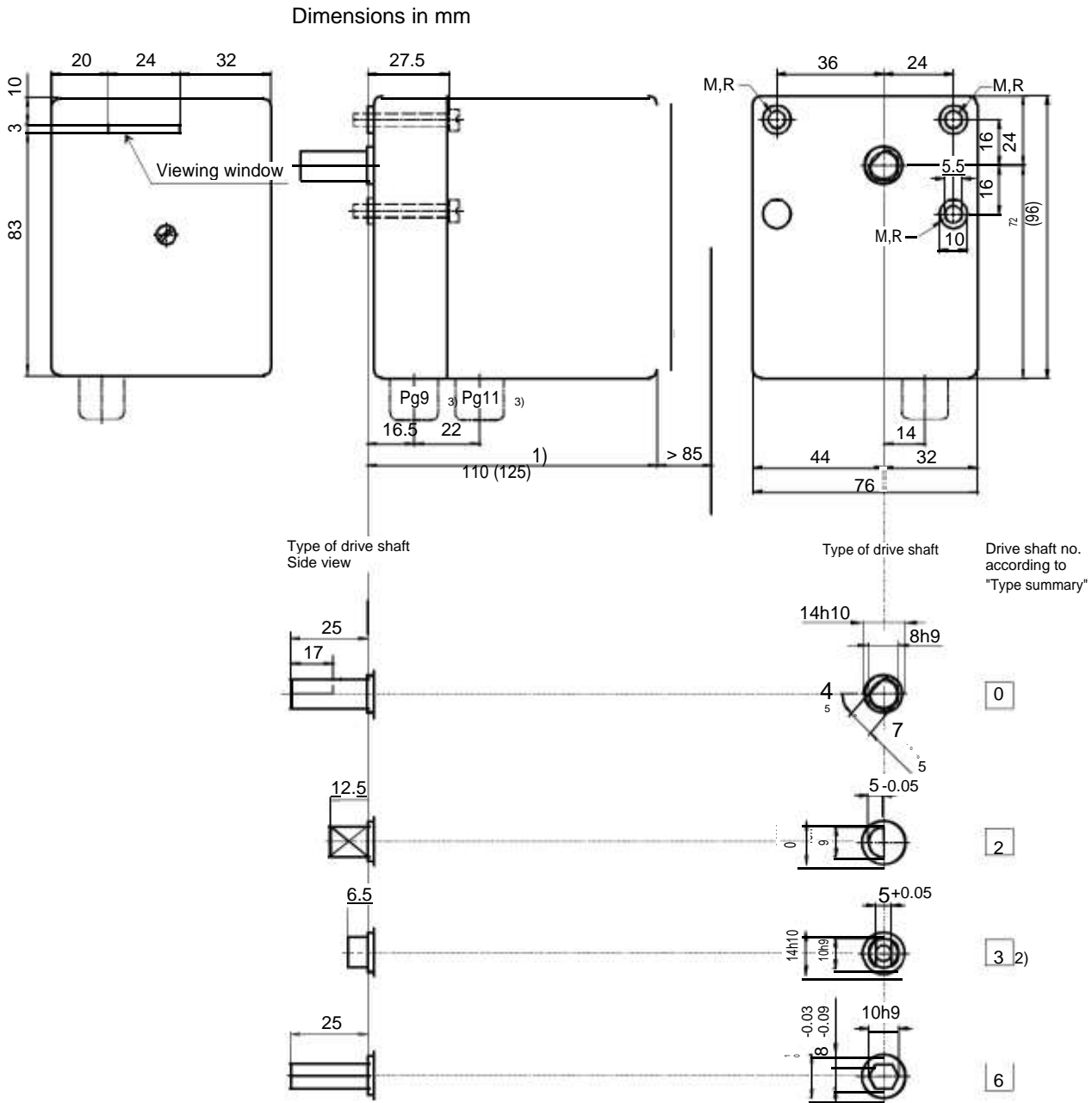


| Legend | No. ② | Number of internal diagram (second position after the dot in the actuator's type reference) |
|--------|-------------|--|
| | I/II | End switch |
| | III/IV/V | Auxiliary switch |
| | AL | Remote indication of fault (alarm) |
| | BV1 | Fuel valve stage 1 |
| | BV2 | Fuel valve stage 2 |
| | EK2 | External remote reset button |
| | ION | Ionization probe |
| | FS | Flame signal amplifier |
| | GL | Gas / air ratio controller |
| | GP | Gas pressure switch |
| | HS | Main switch |
| | KL | Low-fire |
| | L | Live conductor |
| | LK | Air damper |
| | LKP | Air damper position |
| | LP | Air pressure switch |
| | LR | Load controller |
| | M | Burner or fan motor |
| | Ⓜ | Actuator's synchronous motor |
| | M1 | Without postpurging |
| | M2 | With postpurging |
| | N | Neutral conductor |
| | NL | Nominal load |
| | OH | Oil preheater |
| | OW | Oil preheater's readiness contact |
| | QRB... | Photoresistive flame detector |
| | R | Temperature or pressure controller |
| | | Relay |
| | RV | Gas damper |
| | SA | Actuator |
| | Si | External primary fuse (as specified in the Data Sheet of the relevant burner control) |
| | SB | Safety limiter |
| | ST... | Stage |
| | t... / T... | Program times (refer to the Data Sheet of the relevant burner control) |
| | TSA | Safety time |
| | | Resistance |
| | Z | Ignition transformer |
| | ZU | Damper fully closed |
| | ▲ | Direction of rotation OPEN |
| | ▼ | Direction of rotation CLOSE |

Program sequence diagrams

| | |
|-------|---|
| A | Burner ON |
| A – B | Startup of burner |
| B – C | Burner operation / load control operation (modulating or 2-stage) |
| C | Burner OFF |
| C – D | Overrun time |
| D | End of program sequence, burner control ready for a new start |

Dimensions



All drive shafts are shown in end switch position II (CLOSED, as supplied).

- 1) Housing length depending on type of actuator (refer to «Type summary»)
- 2) Center slot: 6.3 mm deep
Hole dia. 5.1 mm: 16.5 mm deep (incl. center slot depth)
- 3) Not included in delivery

R Fixing positions
 M Through-hole 5.3 mm dia.