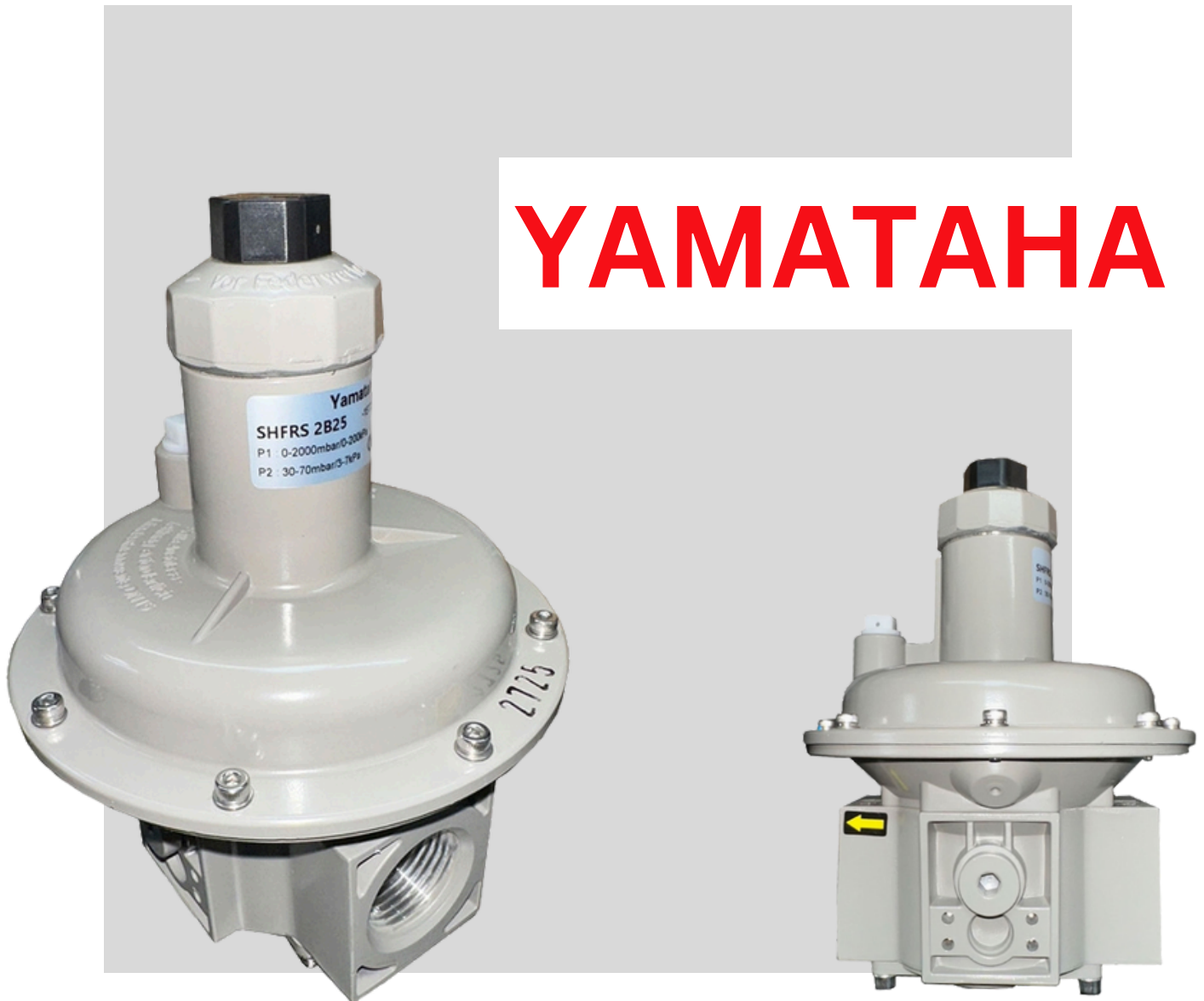


Pressure regulator

SHFRS-2B25



Technical description

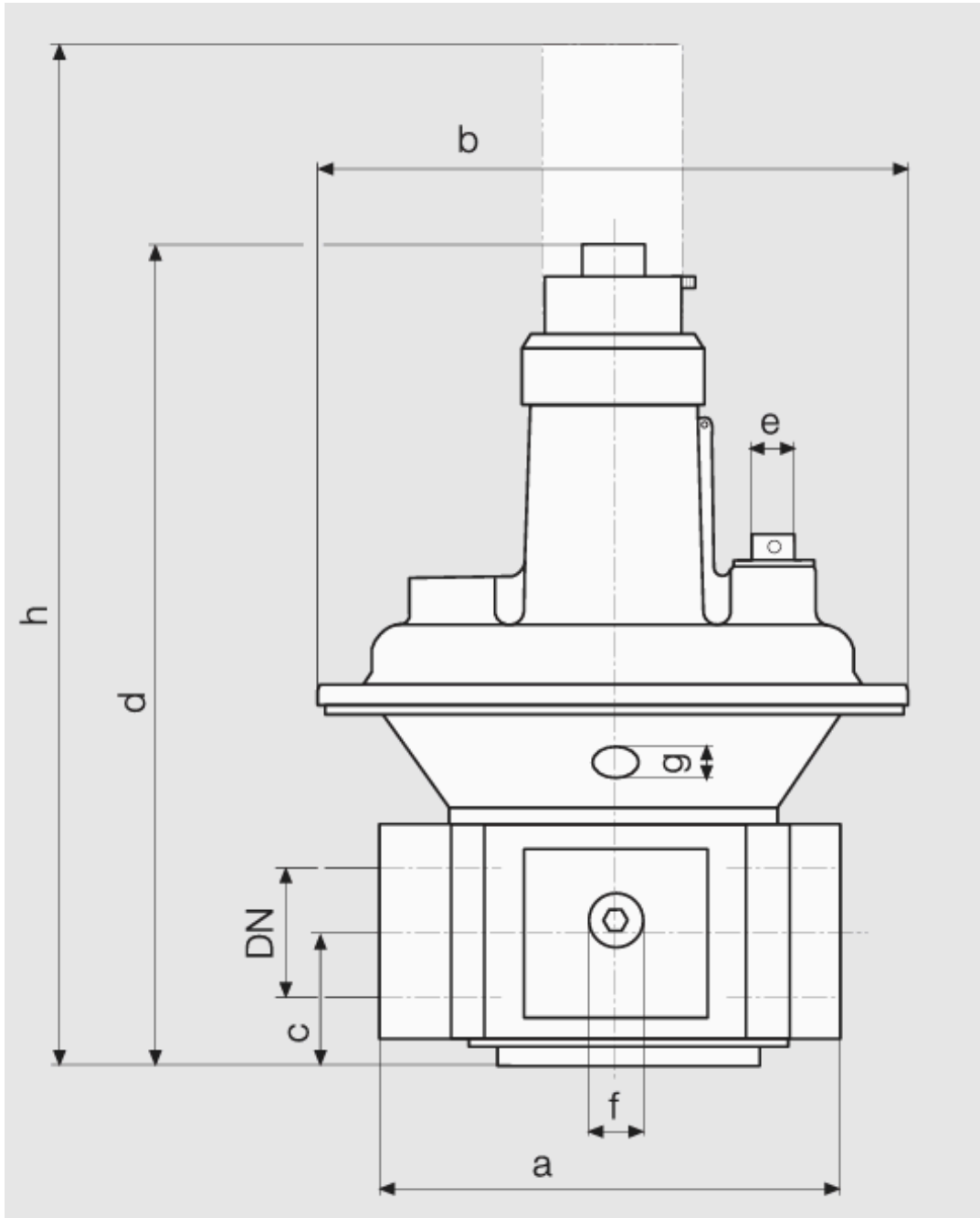
The YAMATAHA pressure regulator, type SHFRS, has an adjustable setpoint spring. The pressure regulator complies with EN 88-1 and DIN 3380:

- Input pressures up to 2000 mbar (200 kPa)
- High flow rate
- Sturdy, precise and sensitive regulation of regulator output pressure
- Inlet pressure compensation diaphragms
- Safety diaphragms
- Internal pulse for regulator output pressure as standard, optional external pulse connection optional on both sides
- Rp 1 thread connection

Application

Gas pressure regulator for gas burners and gas equipment. It does not contain any non-ferrous metals, suitable for gases of up to max. 0.1 vol.% H₂, dry. Suitable for gases of families 1,2,3,3 and other neutral gaseous media.

DIMENSIONS



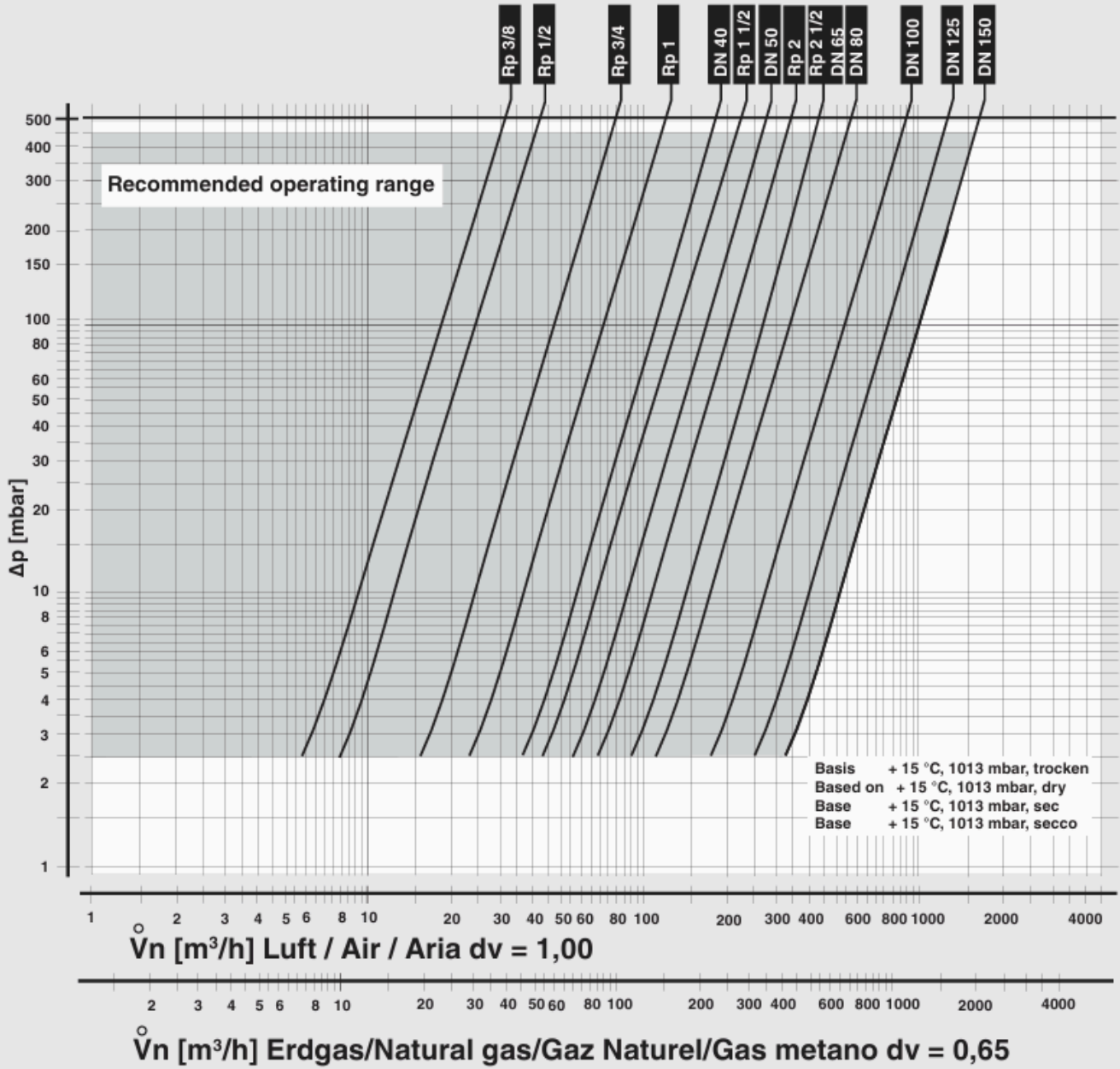
TYPE	Pmax. [mbar]	Outlet [mbar]	WEIGHT [kg]	Rp/DN
SHFRS-2B25	2000	10-30	1.20	Rp 1
SHFRS-2B25	2000	30-70	1.20	Rp 1

Dimensions [mm]

a	b	c	d	e	f	g	h
110	145	33	190	G 1/4	G 1/4	G 1/8	310

Flow diagram in regulated state, where $p_2 = 20$ mbar

$$\dot{V}_{\min} = 0,05 \times \dot{V}_{\max}$$



YAMATAHA